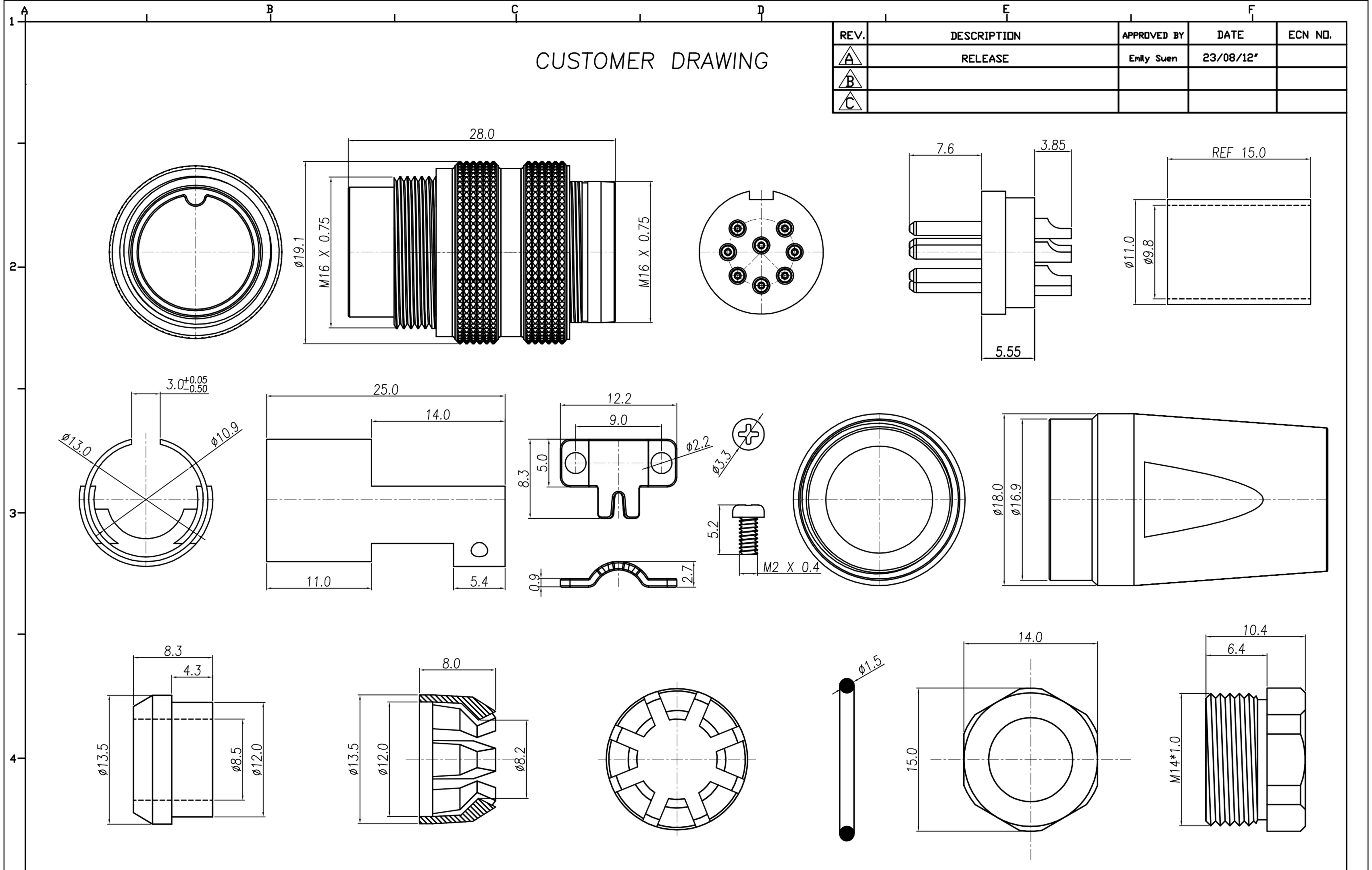


# CUSTOMER DRAWING

REV.	DESCRIPTION	APPROVED BY	DATE	ECN NO.
A	RELEASE	Emily Suen	23/08/12'	
B				
C				



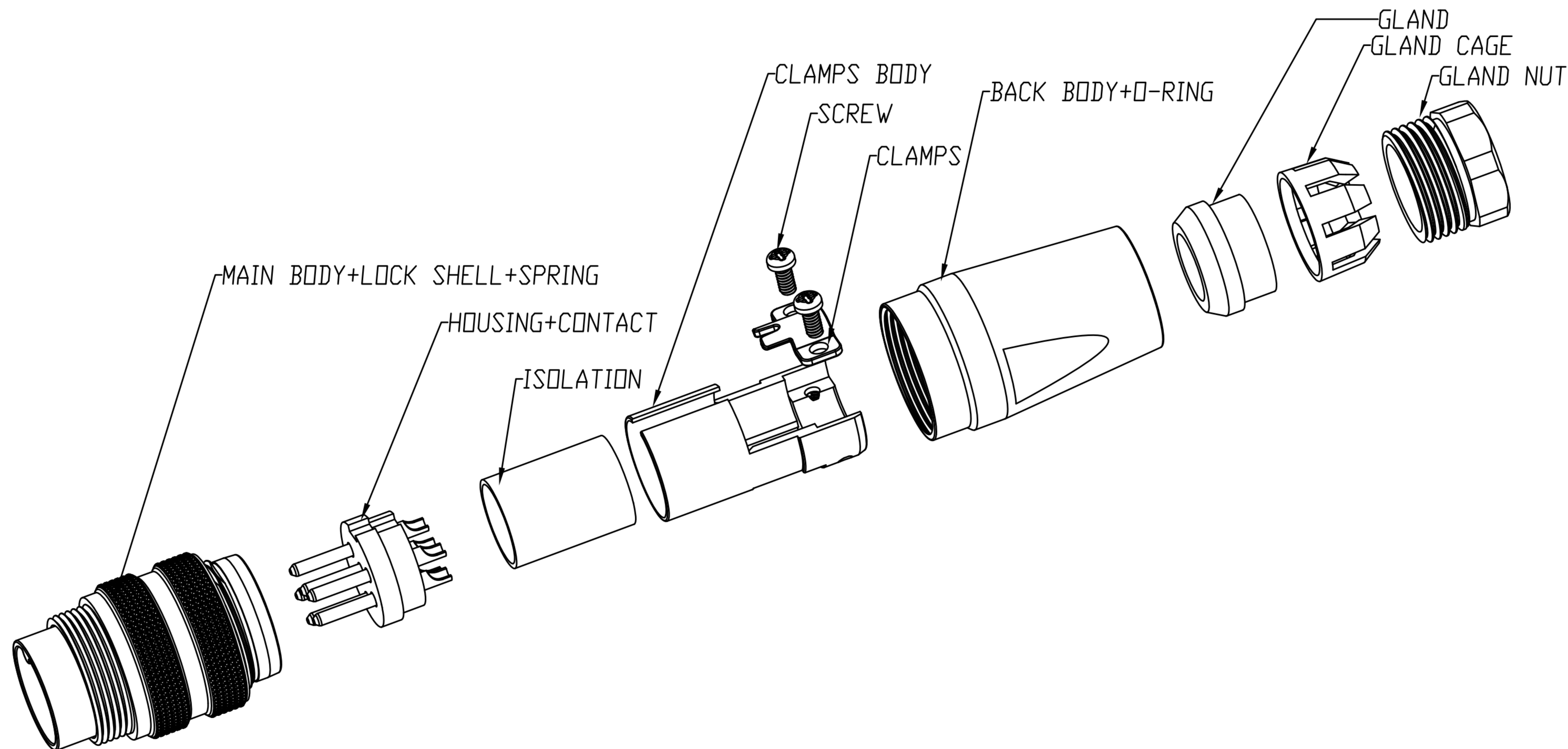
DRAWN	Mark Kao	APP'D	Ku Chou	UNIT	mm	TOLERANCE			TITLE	WP DIN (M) Assembly type			SHEET	3
CHK'D	Emily Suen			SCALE	1:1				PART NO.	SEE TABLE A	DWG NO.	QC5926	VERSION	A

广东科斯达电子科技有限公司  
GUANG DONG KE SI DA ELECTRONIC TECHNOLOGY CO., LTD.

CUSTOMER DRAWING

REV.	DESCRIPTION	APPROVED BY	DATE	ECN NO.
△A	RELEASE	Emily Suen	23/08/12'	
△B				
△C				

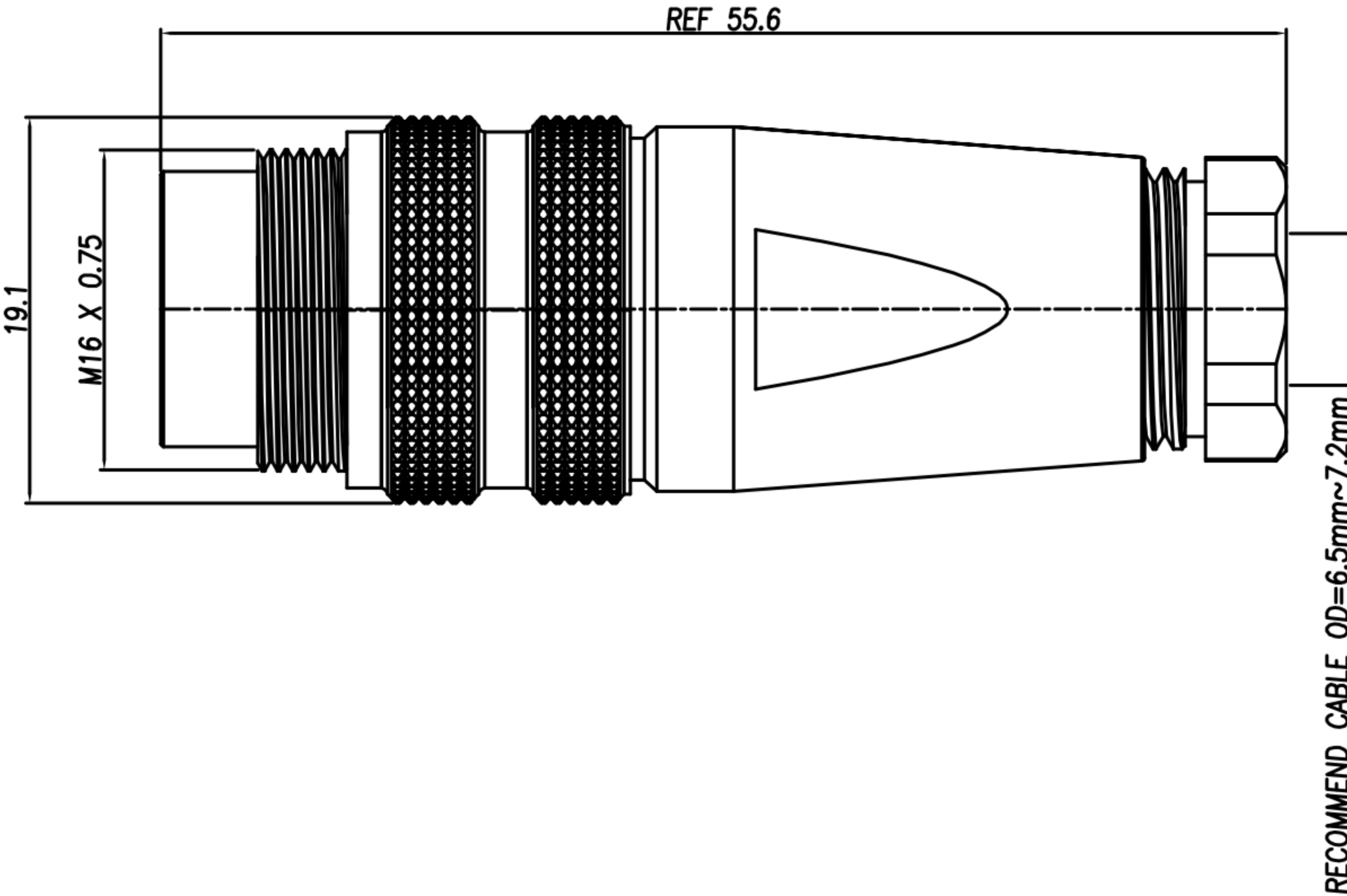
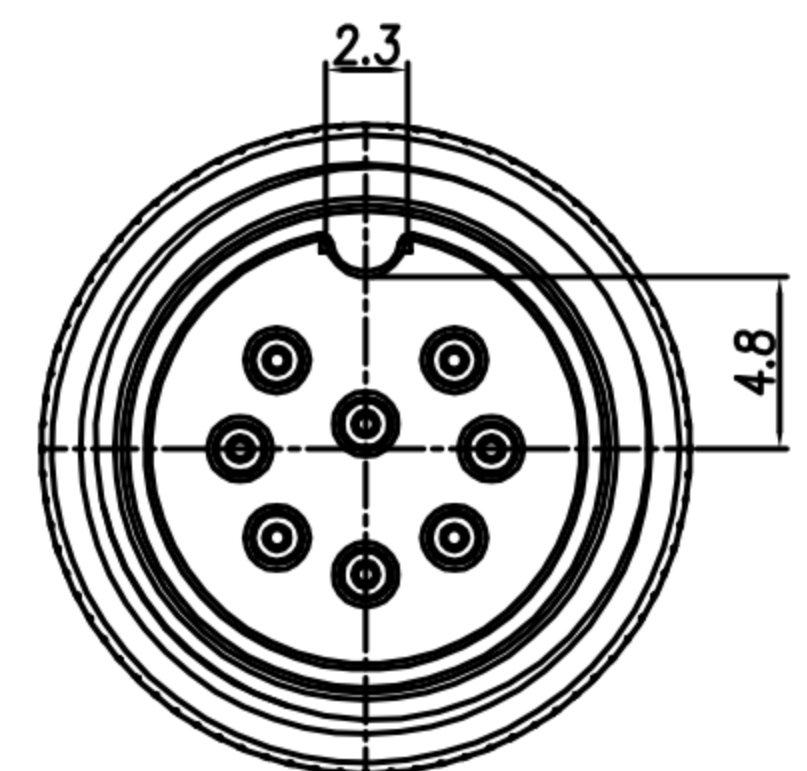
# ASSEMBLY INSTRUCTION



DRAWN	Mark Kao	APP'D	Ku Chou	UNIT	mm	TOLERANCE		广东科斯达电子科技有限公司 GUANG DONG KE SI DA ELECTRONIC TECHNOLOGY CO., LTD.	TITLE	WP DIN (M) Assembly type			SHEET
CHK'D	Emily Suen			SCALE	1:1	.x ±0.20 .xx ±0.10 .xxx ±0.05 .xxxx ±0.03 ANGULA ±1°			PART NO.	SEE TABLE A	DWG NO.	QC5926	VERSION

# CUSTOMER DRAWING

REV.	DESCRIPTION	APPROVED BY	DATE	ECN NO.
△A	RELEASE	Emily Suen	23/08/12'	
△B	修改RATED CURRENT	Ku	26/06/18'	
△C	新物料	LED	19/07/18'	
△D	新物料	LED	22/11/19'	



1. MATERIAL :
- 1-1. HOUSING : NYLON UL94V-0 ; COLOR : BLACK
  - 1-2. CONTACT : BRASS
  - 1-3. MAIN BODY : ZINC ALLOY
  - 1-4. LOCK SHELL : BRASS
  - 1-5. SPRING : STAINLESS
  - 1-6. ISOLATION : PVC
  - 1-7. CLAMPS : ZINC ALLOY
  - 1-8. CLAMPS BODY : ZINC ALLOY
  - 1-9. SCREW : SPCC
  - 1-10. BACK BODY : BRASS
  - 1-11. O-RING : SILICONE ; COLOR : RED
  - 1-12. GLAND : SILICONE COLOR : BLACK
  - 1-13. GLAND CAGE : POM ; COLOR : WHITE
  - 1-14. GLAND NUT : ALUMINUM ALLOY
2. FINISH :
- 2-1. CONTACT : GOLD FLASH
  - 2-2. MAIN BODY : NICKEL PLATED
  - 2-3. LOCK SHELL : NICKEL PLATED
  - 2-4. CLAMPS : NICKEL PLATED
  - 2-5. CLAMPS BODY : NICKEL PLATED
  - 2-6. SCREW : NICKEL PLATED
  - 2-7. BACK BODY : NICKEL PLATED
  - 2-8. GLAND NUT : SATING NICKEL PLATED
3. ELECTRICAL SPECIFICATION :
- △3-1. Rated current : 3PIN~8PIN 5A ; 12PIN 3A
  - 3-2. Rated Voltage : 3PIN~8PIN 250V ;12PIN 60V
  - 3-3. Water proof : IP67
4. Environmental :
- 4-1. Operation Temperature : -20 ℃~85℃

Diagram	Diagram	Diagram	Diagram	Diagram	Diagram	Diagram	Diagram	Diagram
DI-03M2-01	DI-04M2-08	DI-05M2-06	DI-05M2-23-11	DI-06M2-07	DI-07M2-04	DI-07M2-15-11	DI-08M2-08	DI-12M2-17-11

DRAWN	Mark Kao	APP'D	Ku Chou	UNIT	mm	TOLERANCE		广东科斯达电子科技有限公司 GUANG DONG KE SI DA ELECTRONIC TECHNOLOGY CO., LTD.	TITLE	WP DIN (M) Assembly type			SHEET
CHK'D	Emily Suen			SCALE	1:1	.x ±0.20 .xx ±0.10 .xxx ±0.05 .xxxx ±0.03 ANGULA ±1°			PART NO.	SEE TABLE A	DWG NO.	QC5926	VERSION