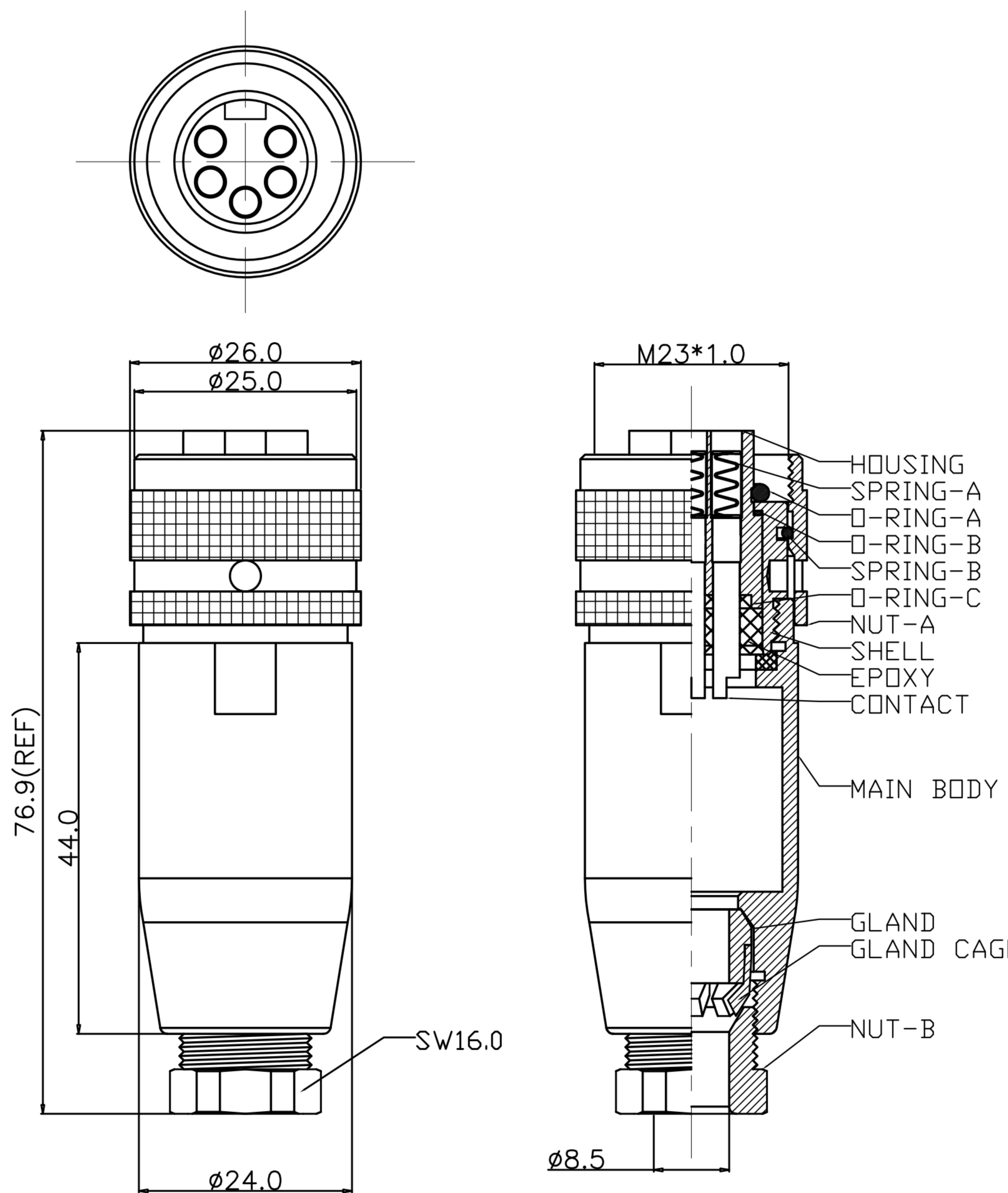


CUSTOMER DRAWING

REV.	DESCRIPTION	APPROVED BY	DATE	ECN NO.
A	RELEASE	Fido Weng	25/11/11'	
B				
C				



- MATERIAL :
 - 1-1. HOUSING : PBT UL94V-0 ; COLOR : BLACK.
 - 1-2. SPRING-A : PHOSPHOR BRONZE.
 - 1-3. O-RING-A : EPDM ; COLOR : BLACK.
 - 1-4. O-RING-B : SILICONE ; COLOR : BLACK.
 - 1-5. SPRING-B : STAINLESS STEEL.
 - 1-6. O-RING-C : SILICONE ; COLOR : BLACK.
 - 1-7. NUT-A : BRASS.
 - 1-8. SHELL : BRASS.
 - 1-9. CONTACT : BRASS.
 - 1-10. MAIN BODY : ALUMINUM ALLOY.
 - 1-11. GLAND : SILICONE COLOR : BLACK.
 - 1-12. GLAND CAGE : POM ; COLOR : WHITE.
 - 1-13. NUT-B : ALUMINUM ALLOY.
- FINISH :
 - 2-1. SPRING-A : MATTE TIN.
 - 2-2. NUT-A : SATING NICKEL PLATED OVER ALL
 - 2-3. SHELL : SATING NICKEL PLATED OVER ALL
 - 2-4. CONTACT : 30 MICRO INCHES MIN. GOLD PLATED.
 - 2-5. MAIN BODY : SATING NICKEL PLATED OVER ALL
 - 2-6. NUT-B : SATING NICKEL PLATED OVER ALL
- ELECTRICAL SPECIFICATION :
 - 3-1. Rated current : 20A
 - 3-2. Rated voltage : 250V
 - 3-3. Water proof : IP67
- Environmental :
 - 4-1. Operation Temperature : -40°C~85°C

DRAWN	Ku Chou	APP'D	Emily Suen	UNIT	mm	TOLERANCE		广东科斯达电子科技有限公司 GUANG DONG KE SI DA ELECTRONIC TECHNOLOGY CO., LTD.	TITLE	M23 5PIN (F) Assembly type			SHEET	1/2
CHK'D	Emily Suen			SCALE	1:1	.x ±0.25 .xx ±0.10 .xxx ±0.05 .xxxx ±0.03 ANGULA ±1°			PART NO.	WP-05F2-65	DWG NO.	QC5642	VERSION	A