

CUSTOMER DRAWING

REV.	DESCRIPTION	APPROVED BY	DATE	ECN NO.
A	RELEASE	Ku Chou	25/06/18'	
B				
C				

TABLE A

2 PIN	3 PIN	4 PIN	5 PIN	6 PIN	7 PIN	8 PIN
WP-02M3-03-11	WP-03M3-02-11	WP-04M3-04-11	WP-05M3-06-11	WP-06M3-04-11	WP-07M3-01-11	WP-08M3-02-11

PIN ASSIGMENTS  
FRONT VIEW

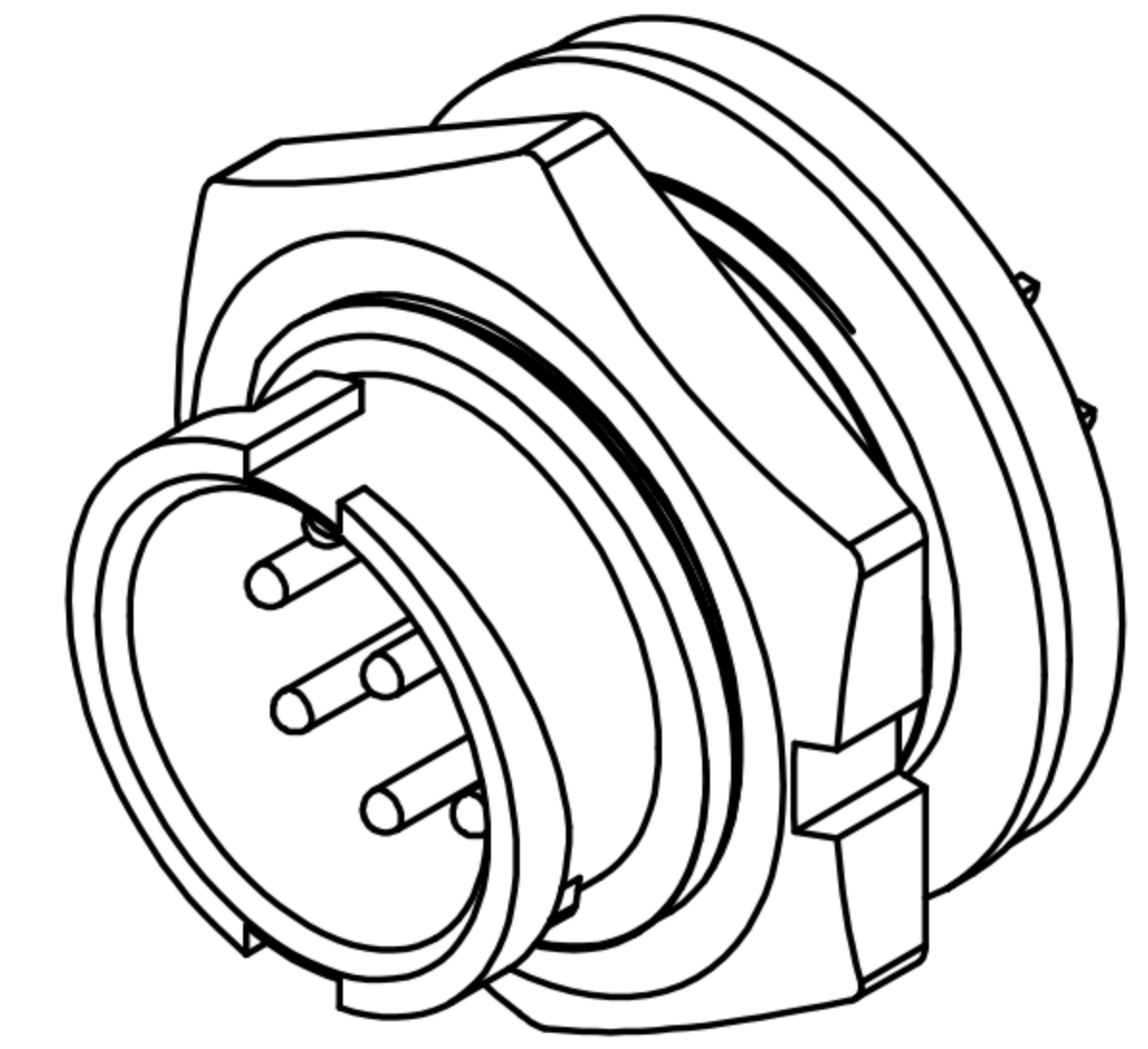
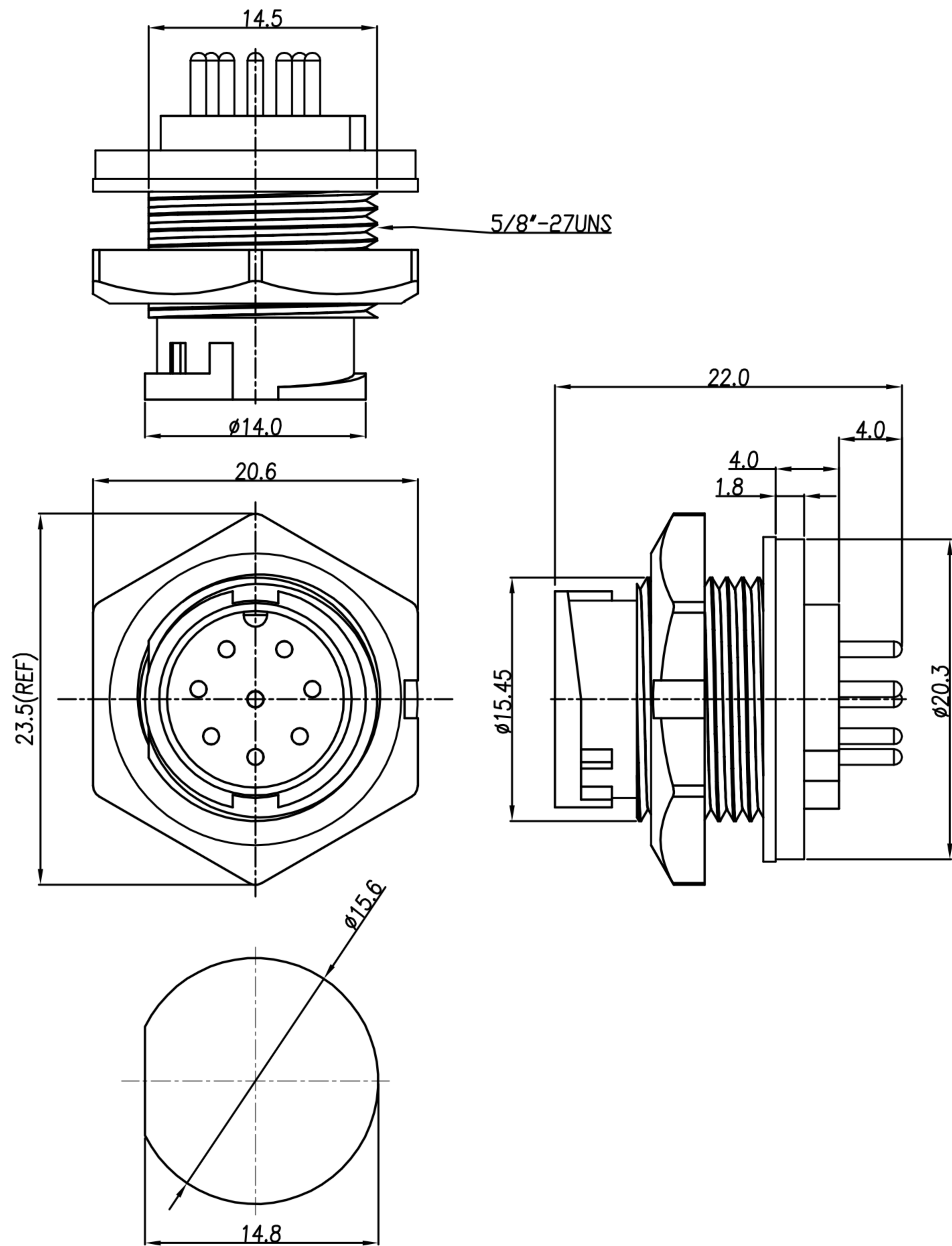
2 PIN	3 PIN	4 PIN	5 PIN	6 PIN	7 PIN	8 PIN

PCB LAYOUT

DRAWN	Emily Suen	APP'D	Ku Chou	UNIT	mm	TOLERANCE		广东科斯达电子科技有限公司 GUANG DONG KE SI DA ELECTRONIC TECHNOLOGY CO., LTD.	TITLE	WP (M) (LOCK) B SIZE 前鎖DIP式			SHEET	2/2
CHK'D	Ku Chou			SCALE	1:1	.x ±0.20 .xx ±0.10 .xxx ±0.05 .xxxx ±0.03 ANGULA ±1°			PART NO.	SEE TABLE A	DWG NO.	QC8435	VERSION	A

CUSTOMER DRAWING

REV.	DESCRIPTION	APPROVED BY	DATE	ECN NO.
△A	RELEASE	Ku Chou	25/06/18'	
△B				
△C				



1. MATERIAL :
  - 1-1. HOUSING : PA66
  - 1-2. CONTACT : BRASS
  - 1-3. GASKET : SILICONE
  - 1-4. HEX NUT : PA66
2. FINISH :
  - 2-1. CONTACT : GOLD FLASH PLATED.
3. ELECTRICAL SPECIFICATION :
  - 3-1. Rated current : 5A
  - 3-2. Rated voltage : 250V
  - 3-3. Water proof : IP67
4. Environmental :
  - 4-1. Operation Temperature : -40℃~105℃

RECOMMENDED PANEL CUT-OUT

DRAWN	Emily Suen	APP'D	Ku Chou	UNIT	mm	TOLERANCE		广东科斯达电子科技有限公司 GUANG DONG KE SI DA ELECTRONIC TECHNOLOGY CO., LTD.	TITLE	WP (M) (LOCK) B SIZE 前鎖DIP式			SHEET	1/2
CHK'D	Ku Chou			SCALE	1:1	.x ±0.20 .xx ±0.10 .xxx ±0.05 .xxxx ±0.03 ANGULA ±1°			PART NO.	SEE TABLE A	DWG NO.	QC8435	VERSION	A