

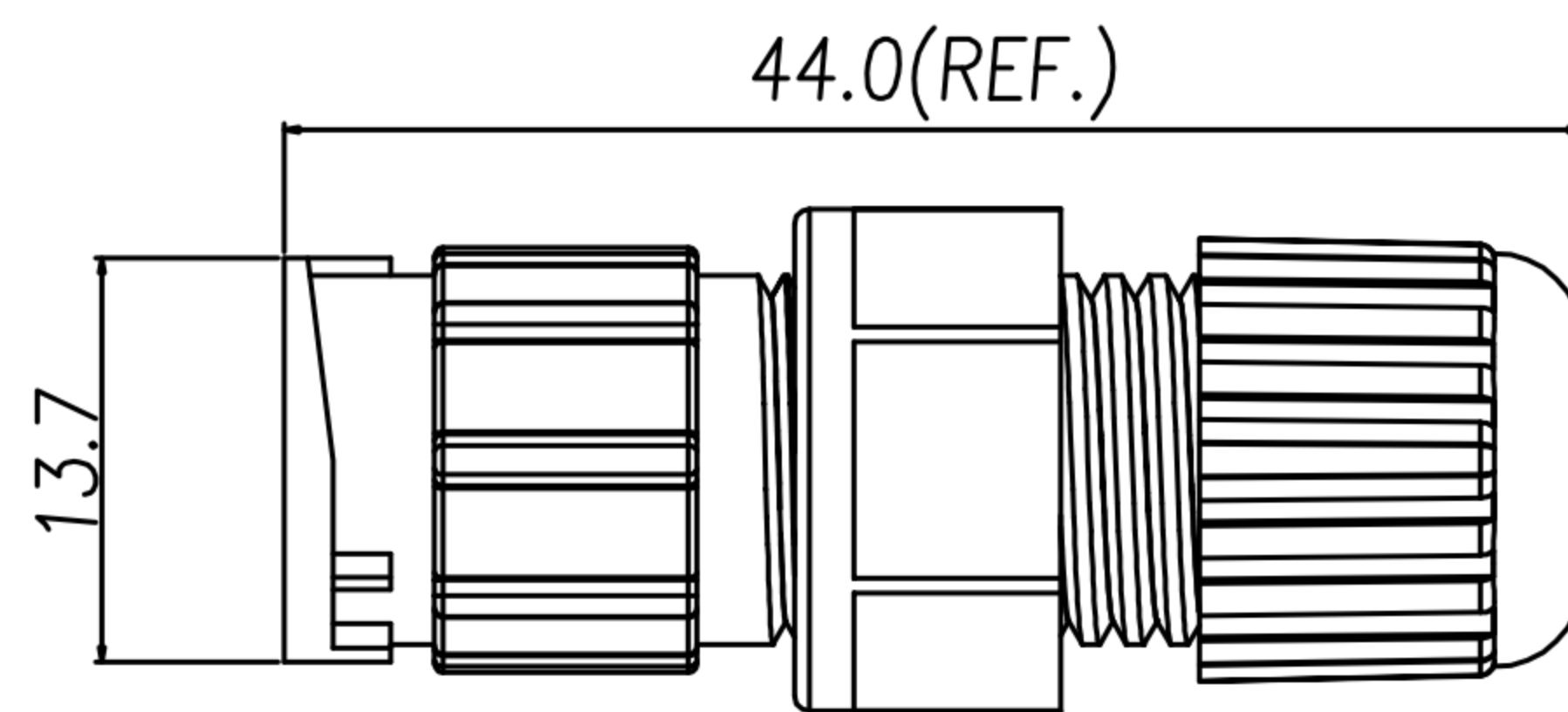
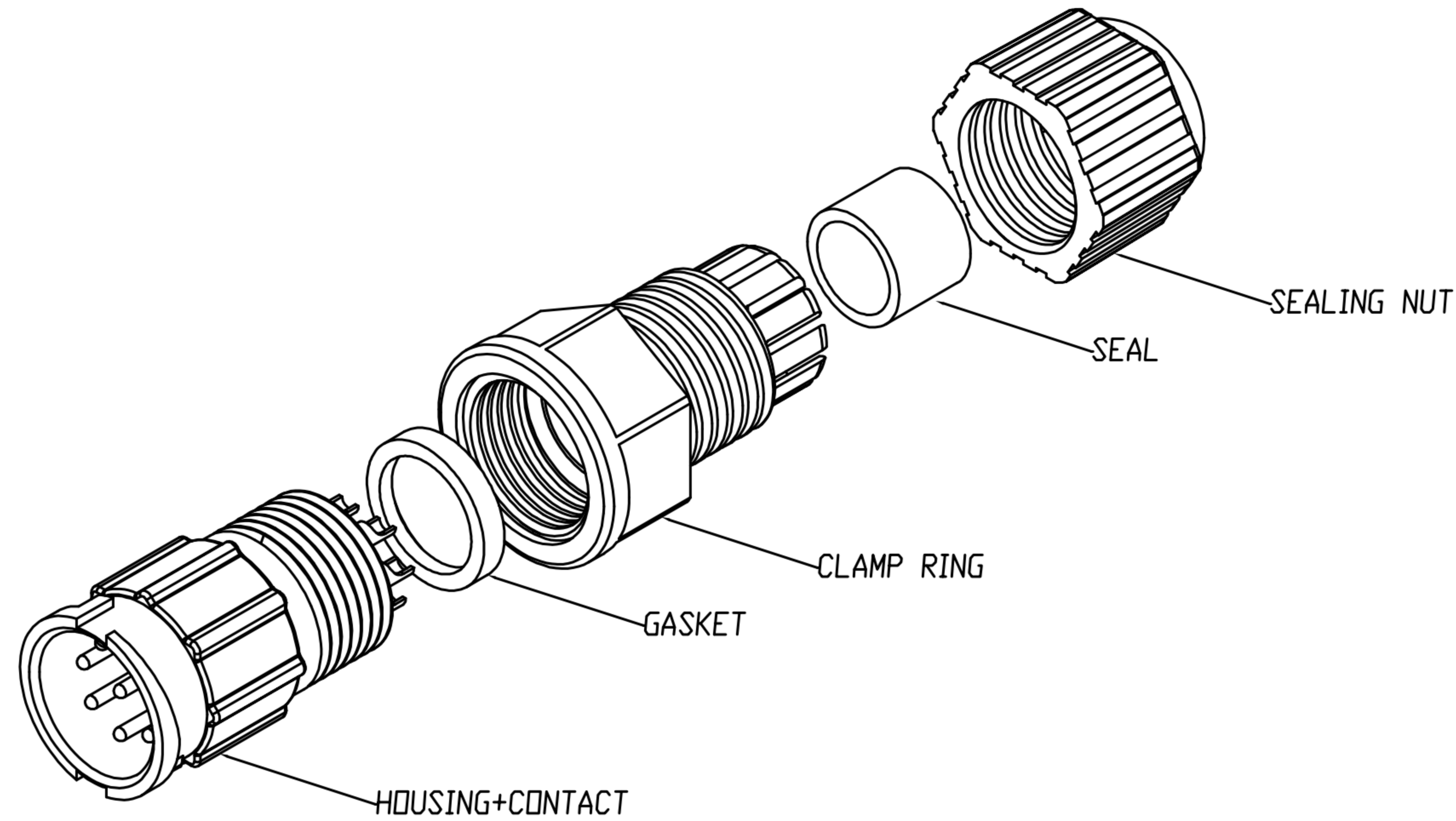
CUSTOMER DRAWING

| REV. | DESCRIPTION | APPROVED BY | DATE | ECN NO. |
|------|----------------------------|-------------|-----------|---------|
| △A | RELEASE | Ku Chou | 20/07/18* | |
| △B | CHANGE CLAMP RING MATERIAL | Ku Chou | 31/10/18* | |
| △C | | | | |

TABLE A

| | | | |
|---------------|---------------|---------------|-------|
| | | | |
| 6 PIN | 7 PIN | 8 PIN | |
| WP-06M2-64-11 | WP-07M2-21-11 | WP-08M2-79-11 | |
| | | | |
| 2 PIN | 3 PIN | 4 PIN | 5 PIN |
| WP-02M2-56-11 | WP-03M2-96-11 | | |

PIN ASSIGNMENTS
FRONT VIEW



- MATERIAL :
 - 1-1. HOUSING : PA66
 - 1-2. CONTACT : BRASS
 - 1-3. GASKET : SILICONE
 - 1-4. CLAMP RING : PA66
 - 1-5. SEAL : SILICONE B
 - CABLE OD ϕ 4.5mm ~6.5mm
 - 1-6. SEALING NUT : PA66
- FINISH :
 - 2-1. CONTACT : GOLD FLASH PLATED.
- ELECTRICAL SPECIFICATION :
 - 3-1. Rated current : 5A
 - 3-2. Rated voltage : 250V
 - 3-3. Water proof : IP67
- Environmental :
 - 4-1. Operation Temperature : -40 $^{\circ}$ C~105 $^{\circ}$ C

| | | | | | | | | | | | | | | |
|-------|------------|-------|---------|-------|-----|--|--|--|----------|--|---------|--------|---------|--|
| DRAWN | Emily Suen | APP'D | Ku Chou | UNIT | mm | TOLERANCE | | 广东科斯达电子科技有限公司 GUANG DONG KE SI DA ELECTRONIC TECHNOLOGY CO., LTD. | TITLE | WP (M) (LOCK) B SIZE ASSEMBLY TYPE(5A) | | | SHEET | |
| CHK'D | Ku Chou | | | SCALE | 1:1 | .x ± 0.20 .xx ± 0.10 .xxx ± 0.05 .xxxx ± 0.03 ANGULA $\pm 1^{\circ}$ | | | PART NO. | SEE TABLE A | DWG NO. | QC8640 | VERSION | |