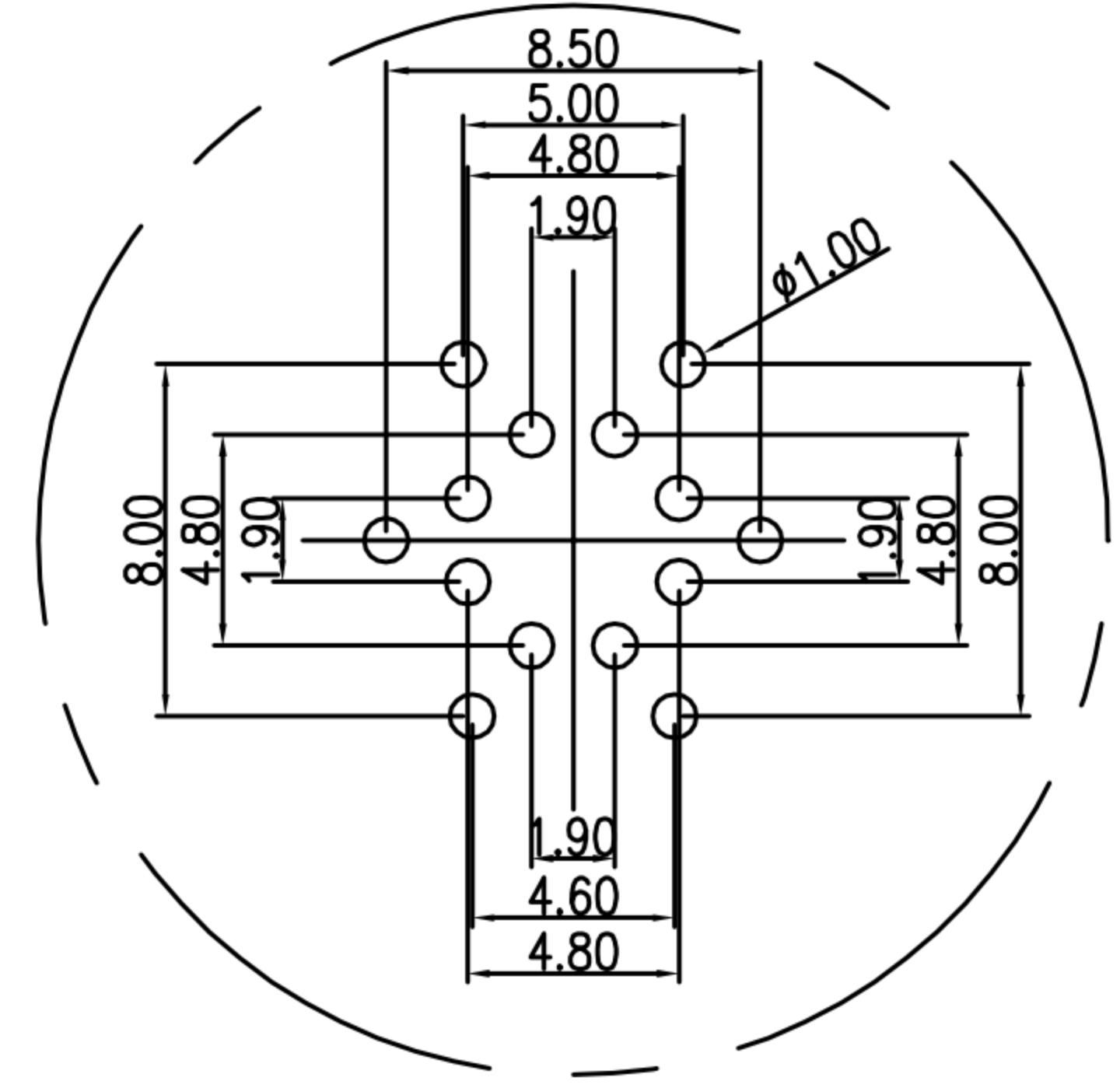
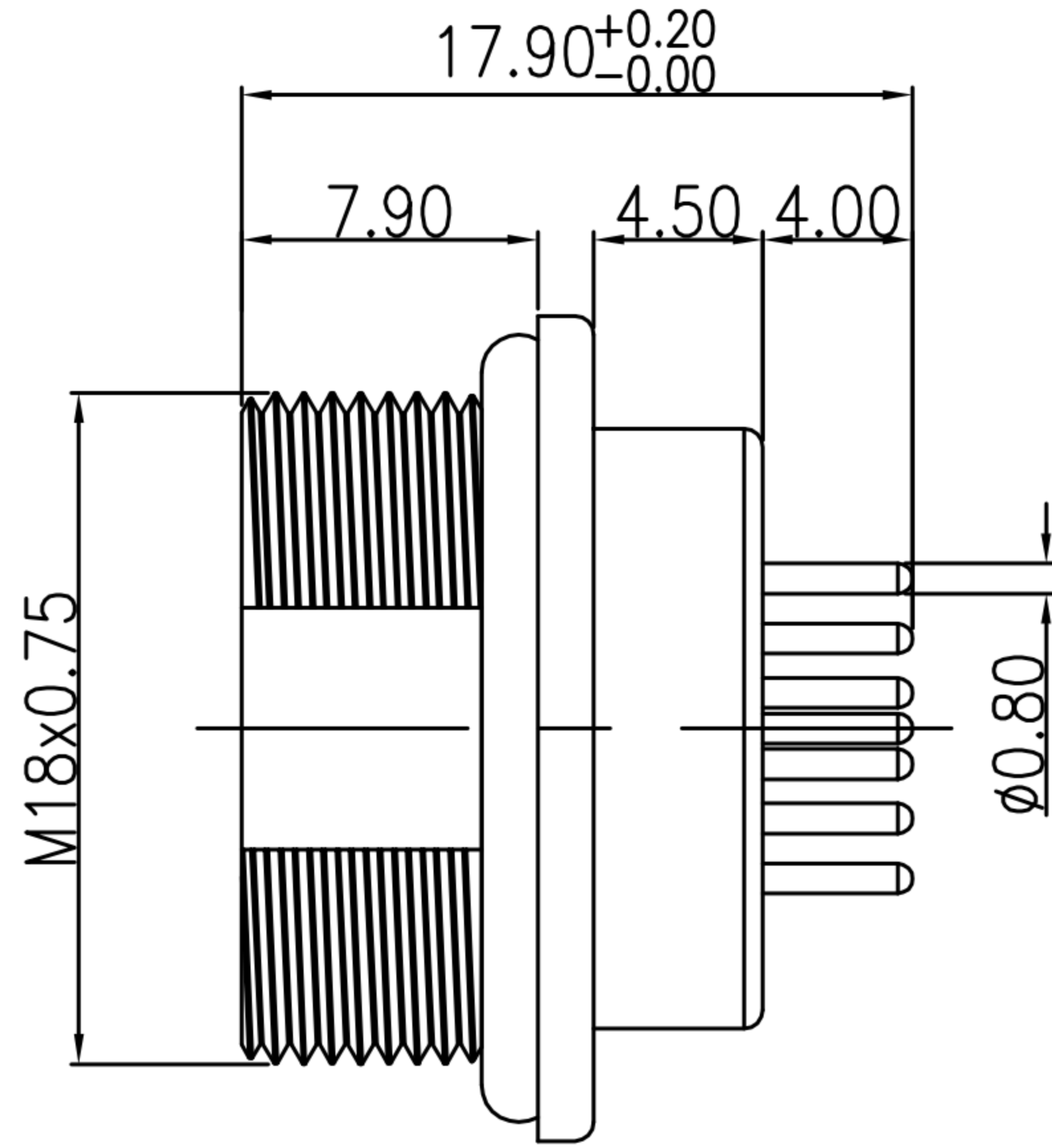
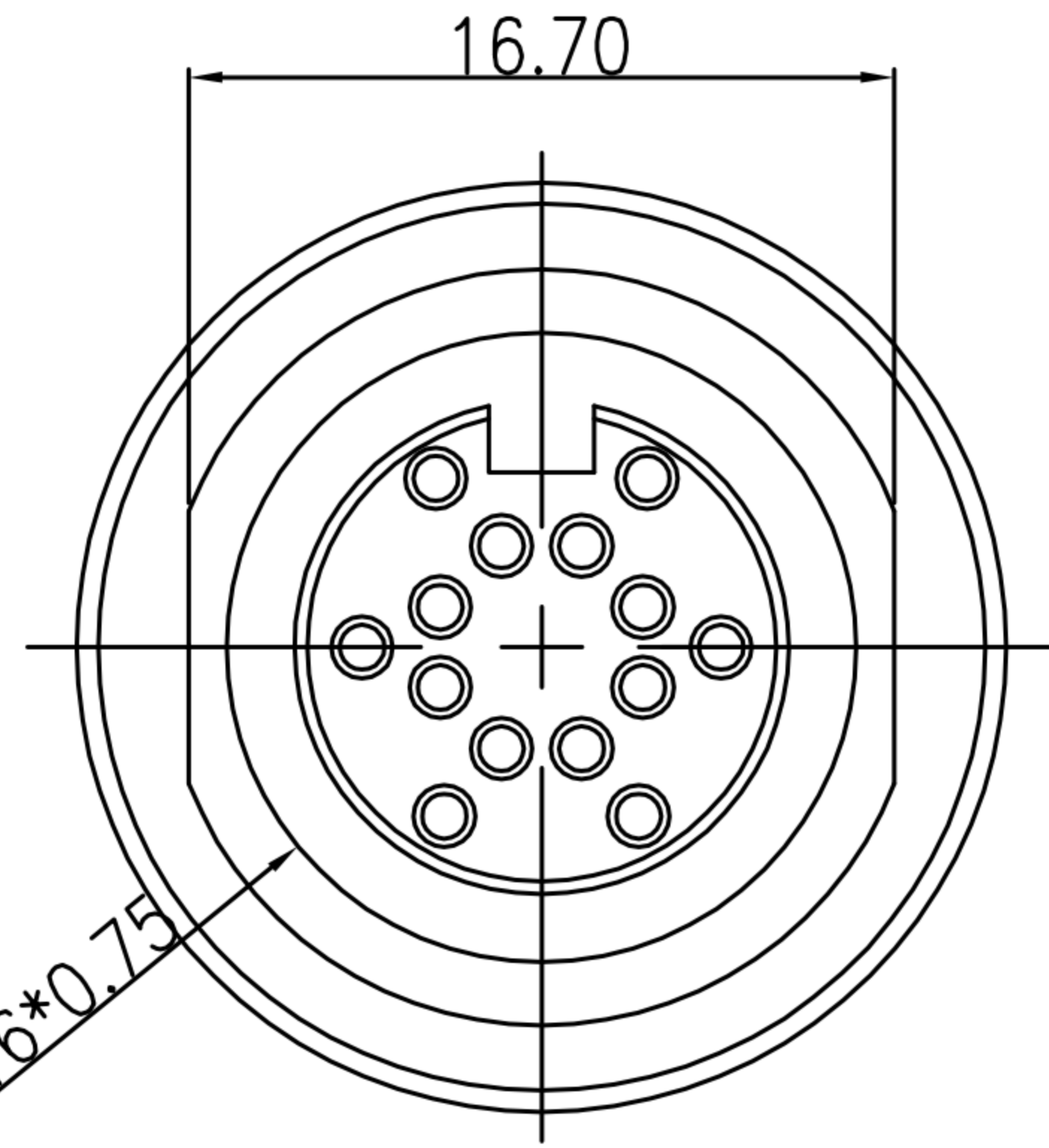
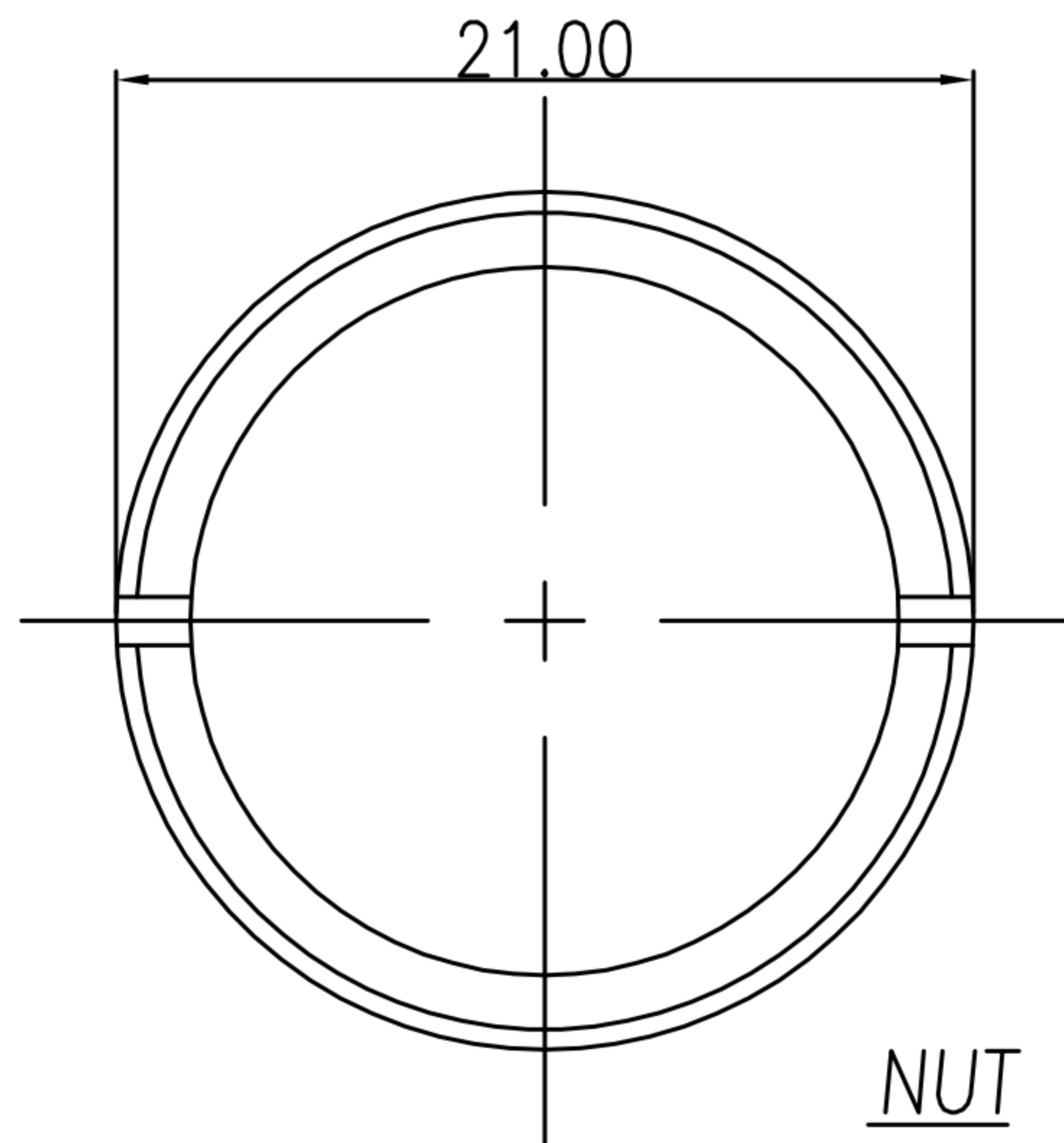


CUSTOMER DRAWING

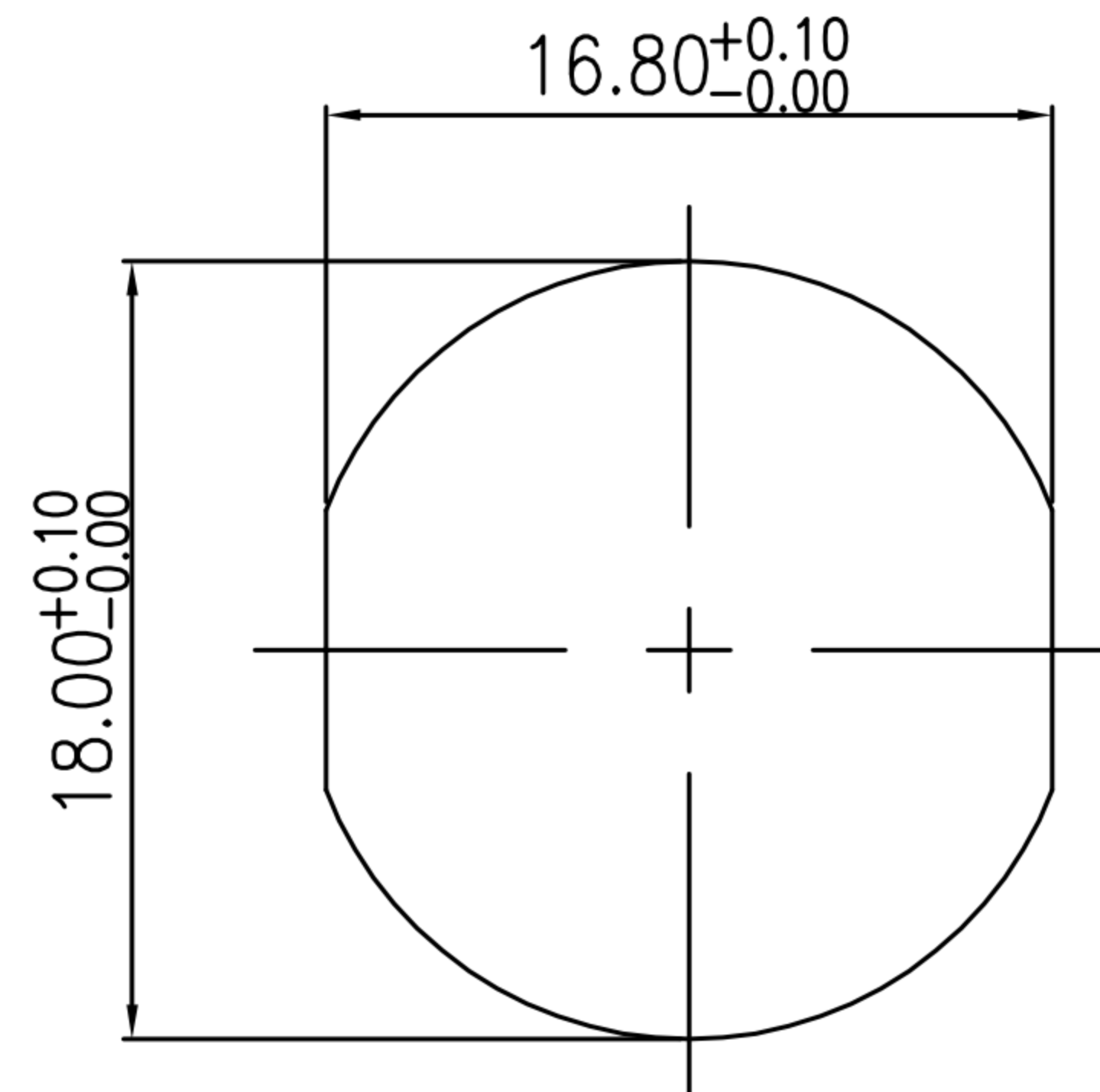
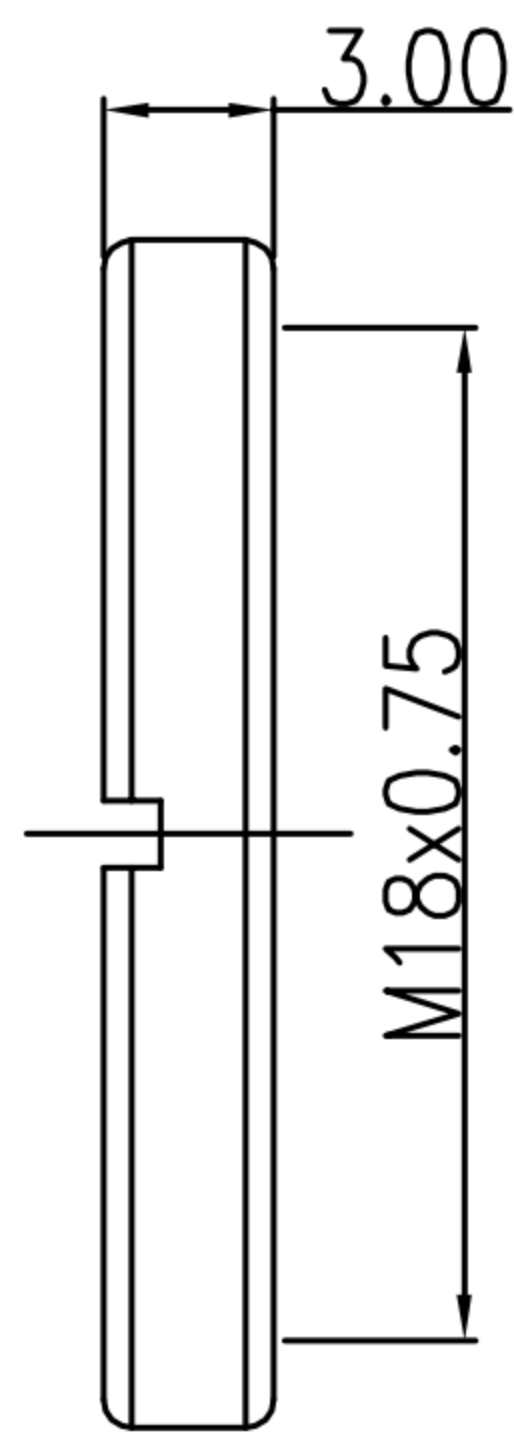
REV.	DESCRIPTION	APPROVED BY	DATE	ECN NO.
△A	RELEASE	Yeh	18/03/19"	
△B				
△C				



RECOMMEND PCB LAYOUT



NUT



RECOMMEND PANEL CUT-OUT

- MATERIAL :
 - 1-1. HOUSING : PA66 ; COLOR : BLACK.
 - 1-2. CONTACT : BRASS
 - 1-3. NUT : BRASS
 - 1-4. O-RING : EPDM ; COLOR : BLACK
 - 1-5. SHELL : BRASS.
- FINISH :
 - 2-1. CONTACT : GOLD FLASH MICRO INCHES MIN.
UNDER PLATE : NICKEL
 - 2-2. NUT : NICKEL PLATED
 - 2-3. SHELL : NICKEL PLATED
- ELECTRICAL SPECIFICATION :
 - 3-1. Rated current : 3A
 - 3-2. Rated Voltage : 60V
 - 3-3. Water proof: IP67
- Environmental :
 - 4-1. Operation Temperature : -20℃~85℃

DRAWN	Yeh	APP'D	Ku Chou	UNIT	mm	TOLERANCE .x ±0.20 .xx ±0.10 .xxx ±0.05 .xxxx ±0.03 ANGULA ±1°			TITLE	DIN 14PIN (F) 前 M18 DIP			SHEET	
CHK'D	Emily Suen			SCALE	1:1			广东科斯达电子科技有限公司 GUANG DONG KE SI DA ELECTRONIC TECHNOLOGY CO., LTD.	PART NO.	DI-14F2-01-11	DWG NO.	QC9009	VERSION	A