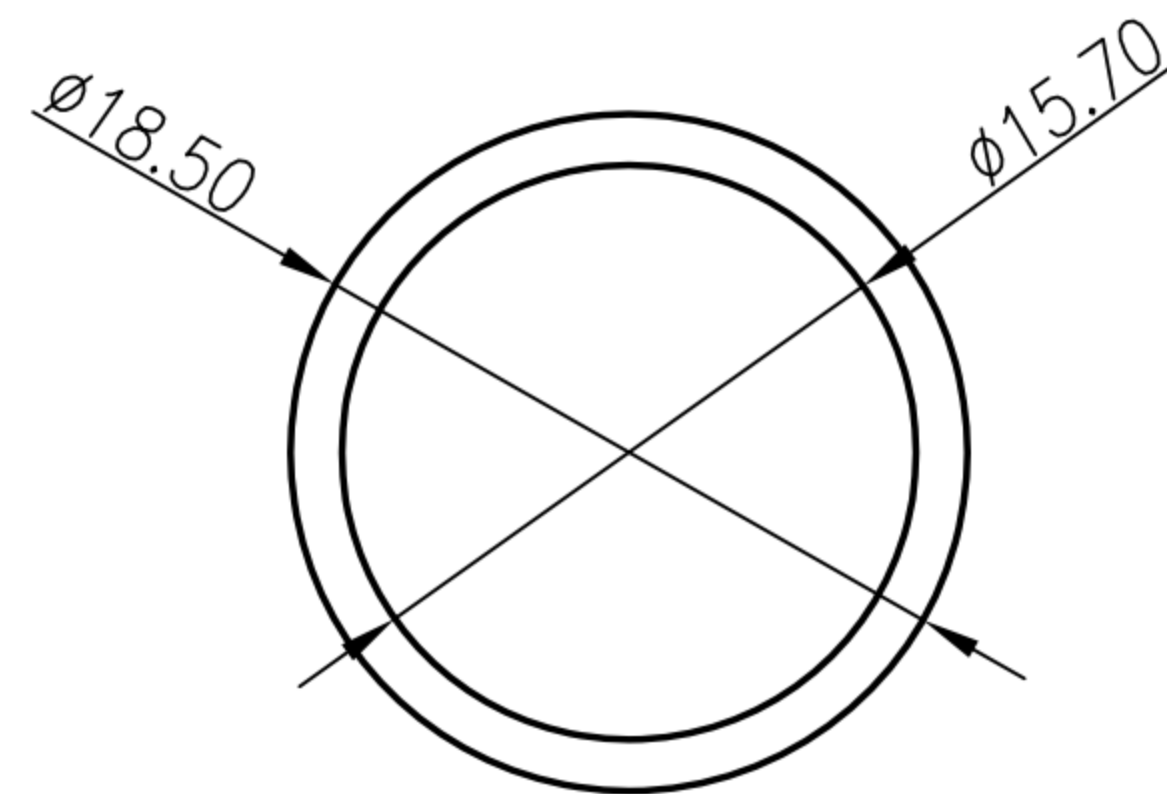
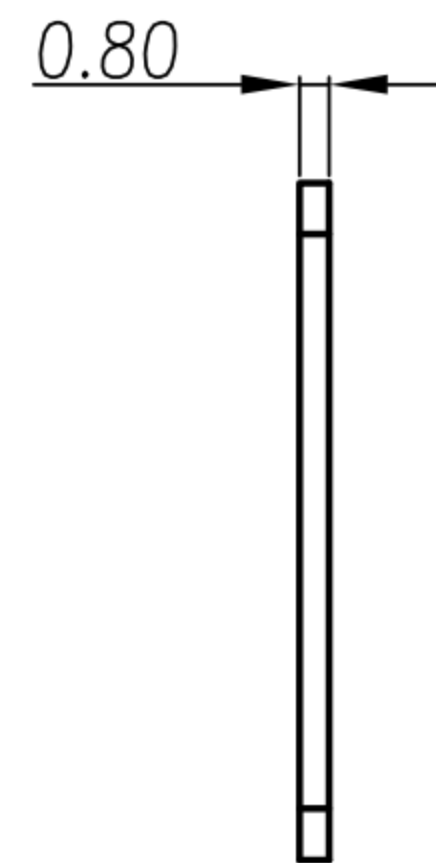
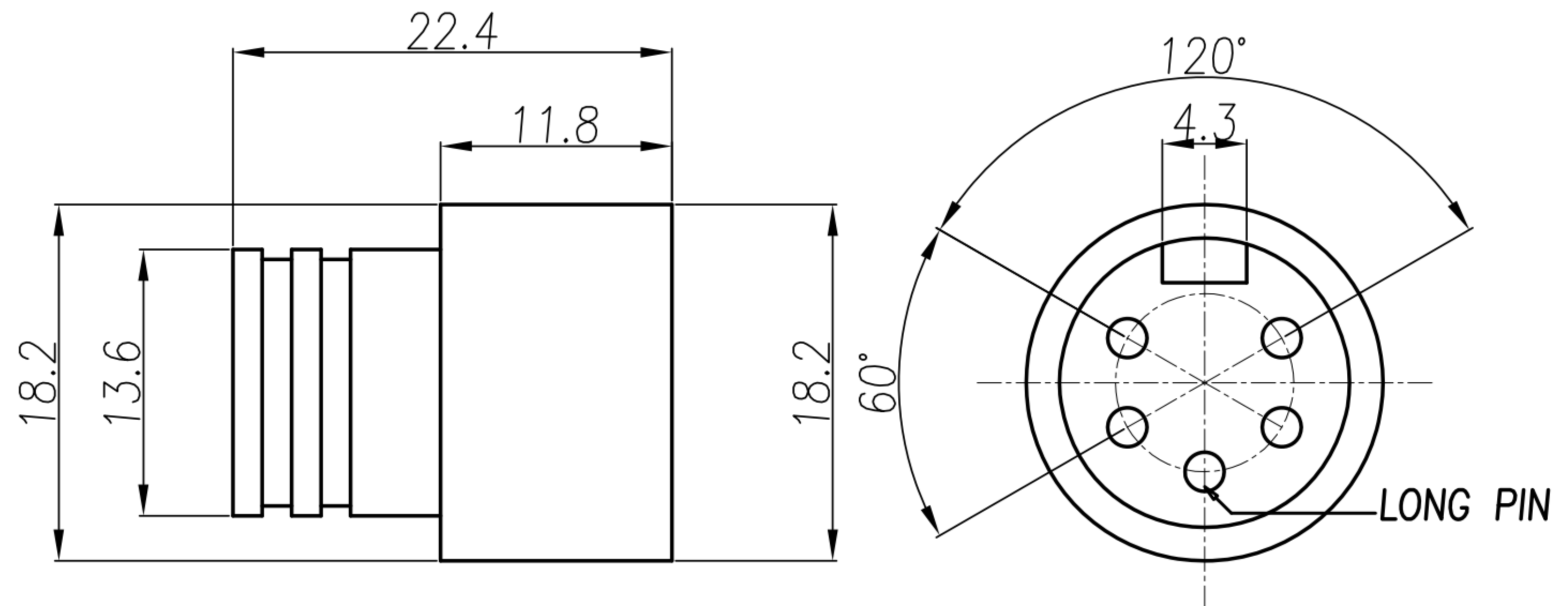


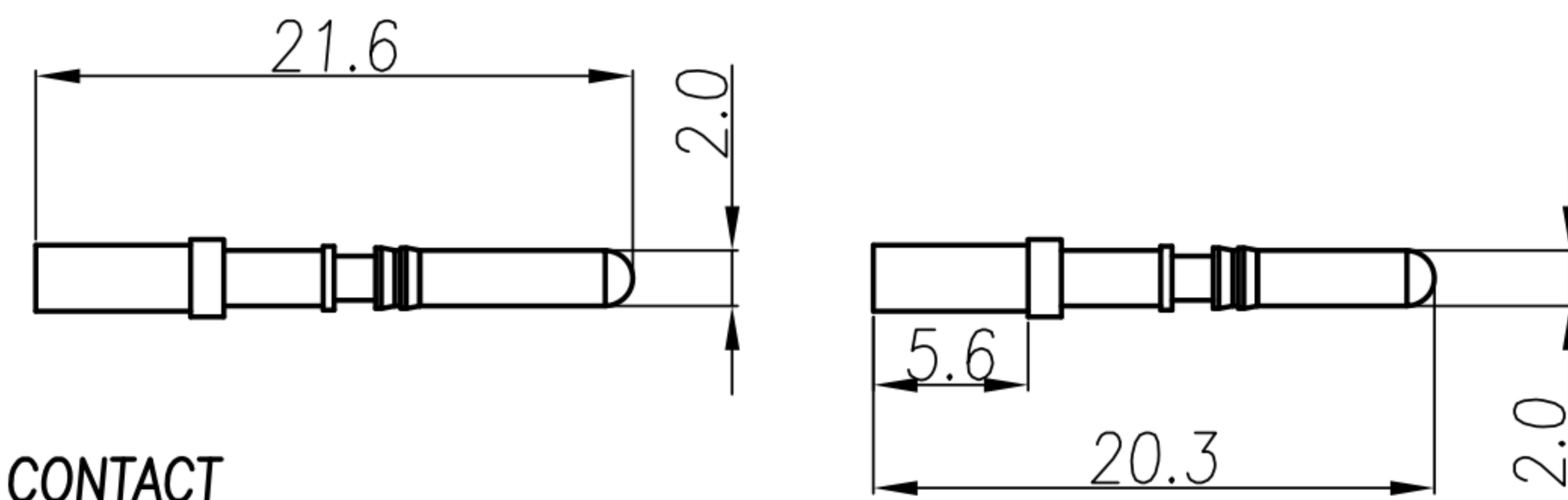
CUSTOMER DRAWING

REV.	DESCRIPTION	APPROVED BY	DATE	ECN NO.
A	RELEASE	Fido Weng	26/03/14'	
B				
C				

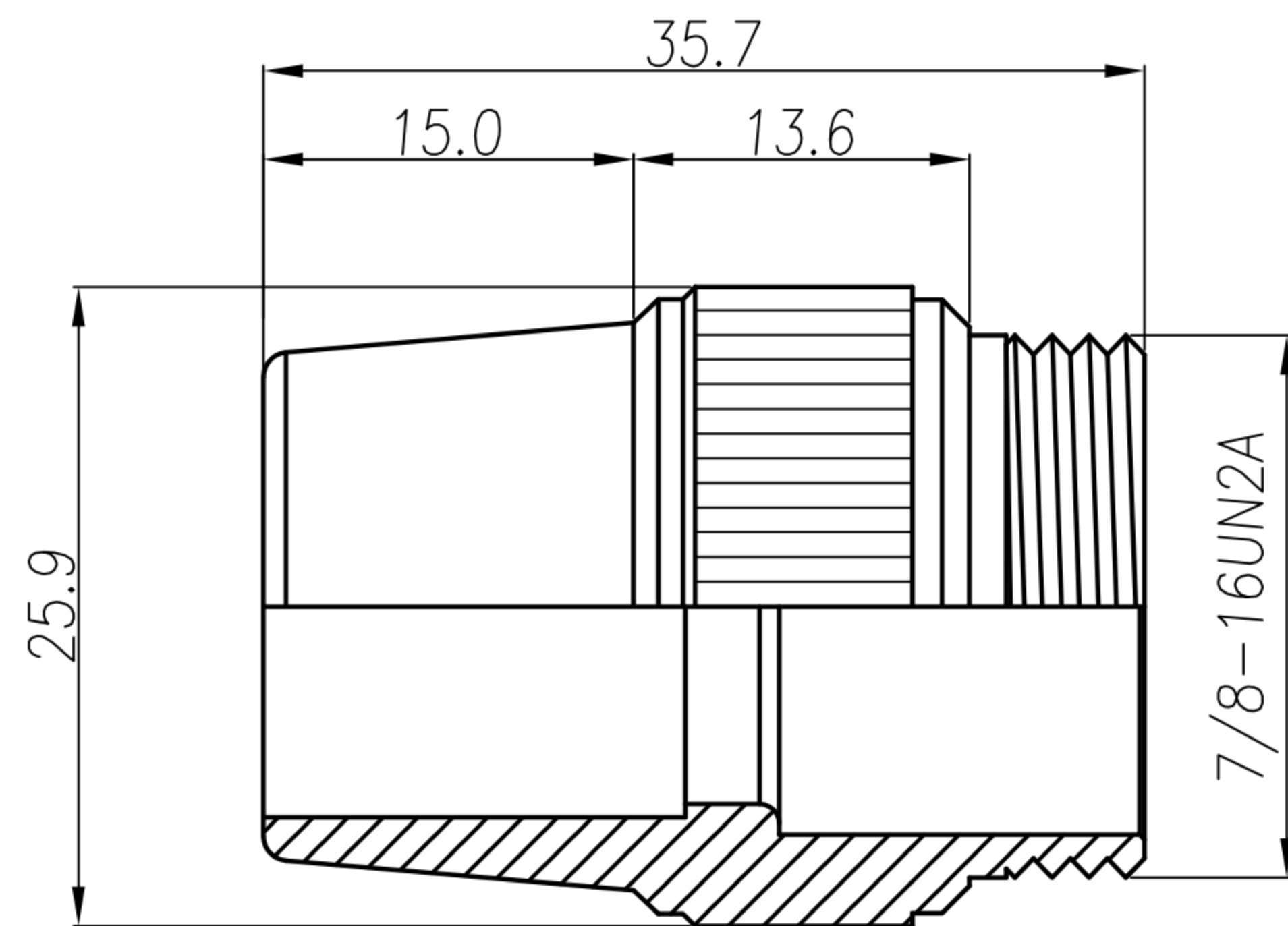


HOUSING

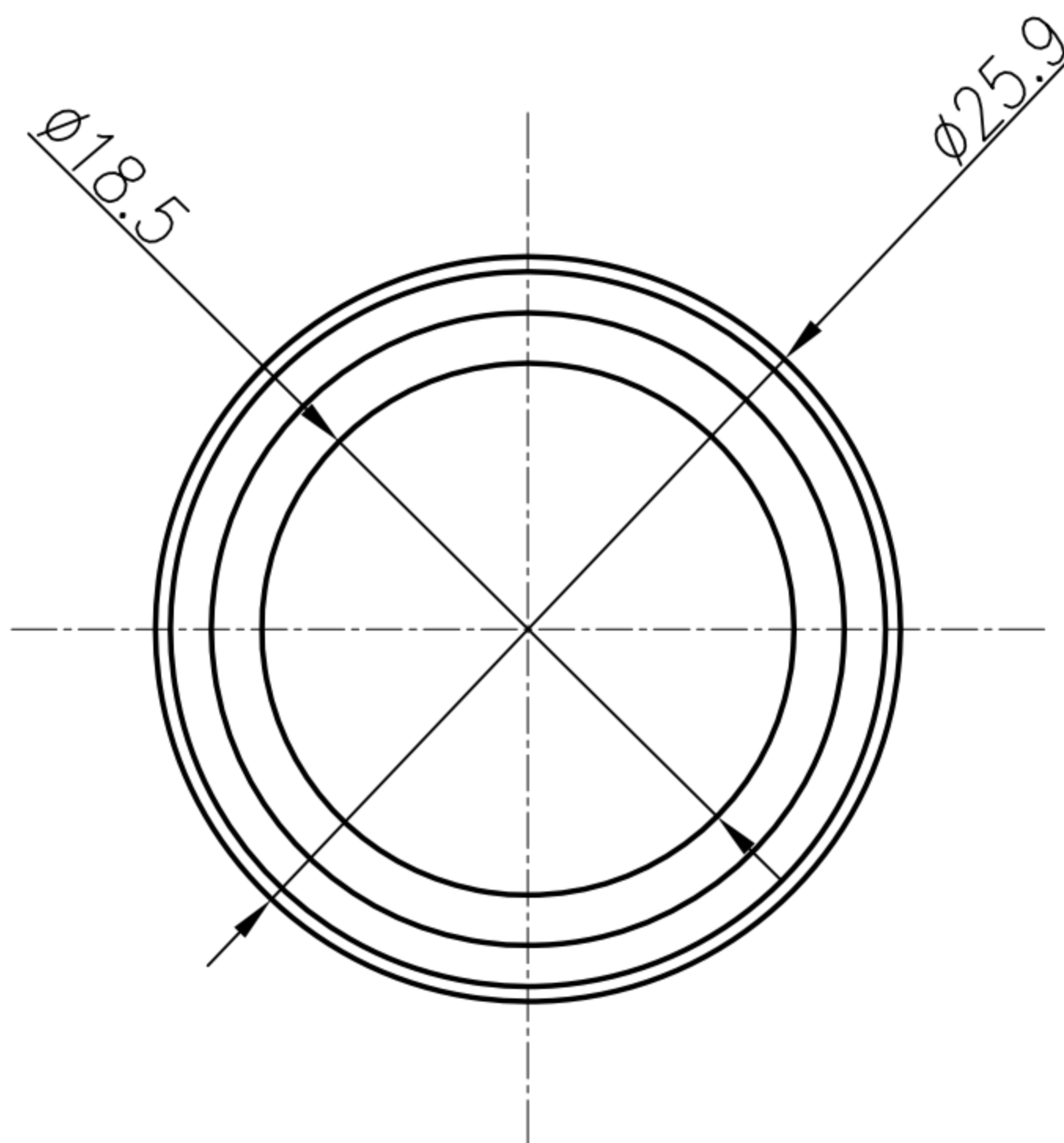
WASHER



CONTACT



SHELL



1. MATERIAL :
 - 1-1. HOUSING : TPU UL94V-0 ; COLOR : YELLOW
 - 1-2. CONTACT : BRASS
 - 1-3. SHELL : BRASS
 - 1-4. WASHER : POM ; COLOR : WHITE.
2. FINISH :
 - 2-1. CONTACT : GOLD PLATED.
UNDER PLATE : NICKEL
 - 2-2. SHELL : NICKEL PLATED
3. ELECTRICAL SPECIFICATION :
 - 3-1. Rated current : 20A
 - 3-2. Rated Voltage :250V
 - 3-3. Water proof: IP68
4. Environmental :
 - 4-1. Operation Temperature : -20 ℃~85℃

DRAWN	Mark Kao	APP'D	Ku Chou	UNIT	mm	TOLERANCE			TITLE	防水頭 7/8-16" 5pin (M) 焊線式長銅管			SHEET	
CHK'D	Emily Suen			SCALE	1:1	.x ±0.25 .xx ±0.20 .xxx ±0.10 .xxxx ±0.03 ANGULA ±1°			PART NO.	WP-05M2-01-11	DWG NO.	QC6623	VERSION	