

CUSTOMER DRAWING

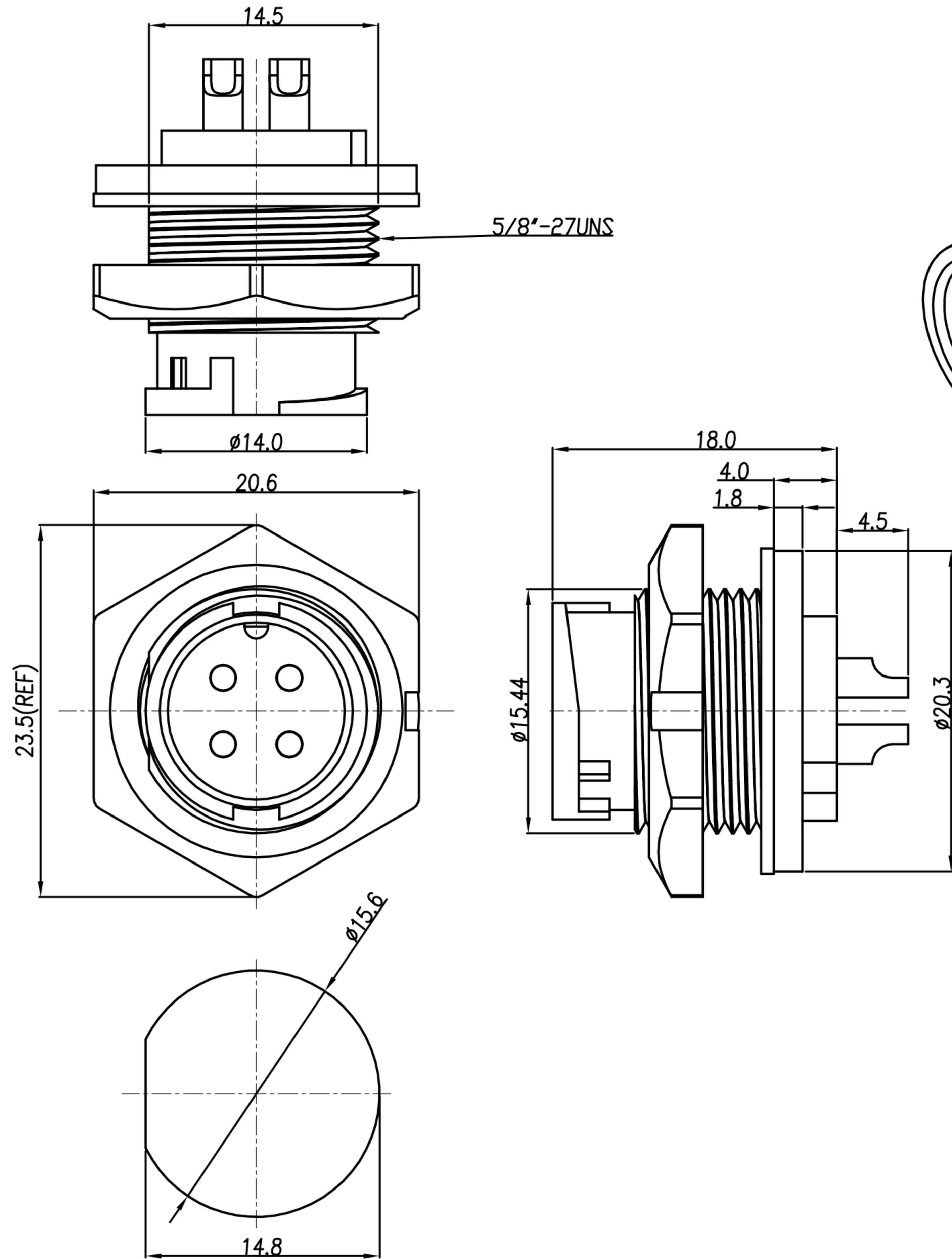
REV.	DESCRIPTION	APPROVED BY	DATE	ECN NO.
A	RELEASE	Ku Chou	25/06/18'	
B				
C				

TABLE A

2 PIN	3 PIN	4 PIN
WP-02M2-51-11	WP-03M2-86-11	WP-04M2-156-11

PIN ASSIGMENTS  
FRONT VIEW

- MATERIAL :
  - HOUSING : PA66
  - CONTACT : BRASS
  - GASKET : SILICONE
  - HEX NUT : PA66
- FINISH :
  - CONTACT : GOLD FLASH PLATED.
- ELECTRICAL SPECIFICATION :
  - Rated current : 10A
  - Rated voltage : 250V
  - Water proof : IP67
- Environmental :
  - Operation Temperature : -40℃~105℃



RECOMMENDED PANEL CUT-OUT

DRAWN	Emily Suen	APP'D	Ku Chou	UNIT	mm	TOLERANCE		广东科斯达电子科技有限公司 GUANG DONG KE SI DA ELECTRONIC TECHNOLOGY CO., LTD.	TITLE	WP (M) (LOCK) B SIZE 前鎖焊線式			SHEET	
CHK'D	Ku Chou			SCALE	1:1	.x ±0.20 .xx ±0.10 .xxx ±0.05 .xxxx ±0.03 ANGULA ±1°			PART NO.	SEE TABLE A	DWG NO.	QC8428	VERSION	