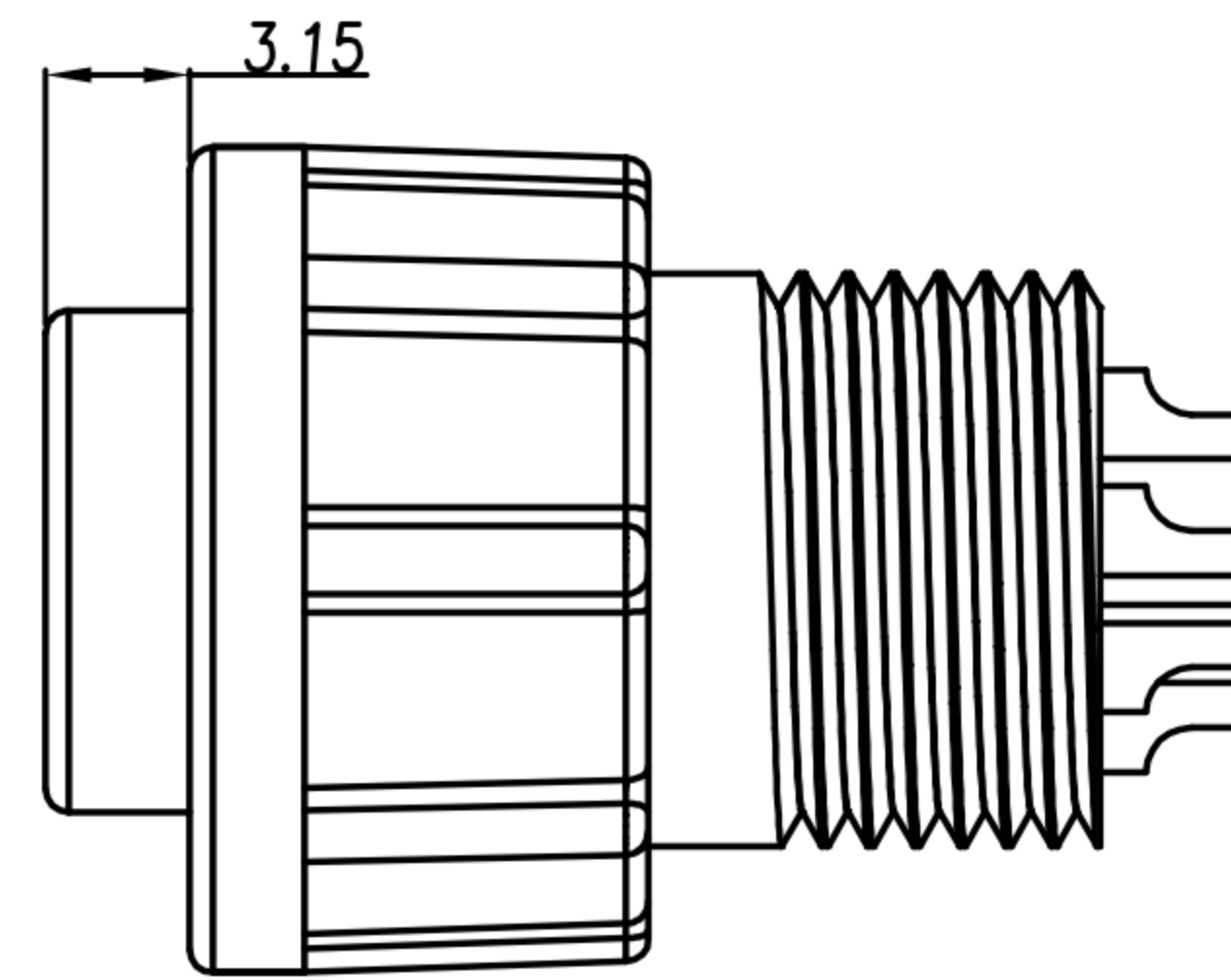
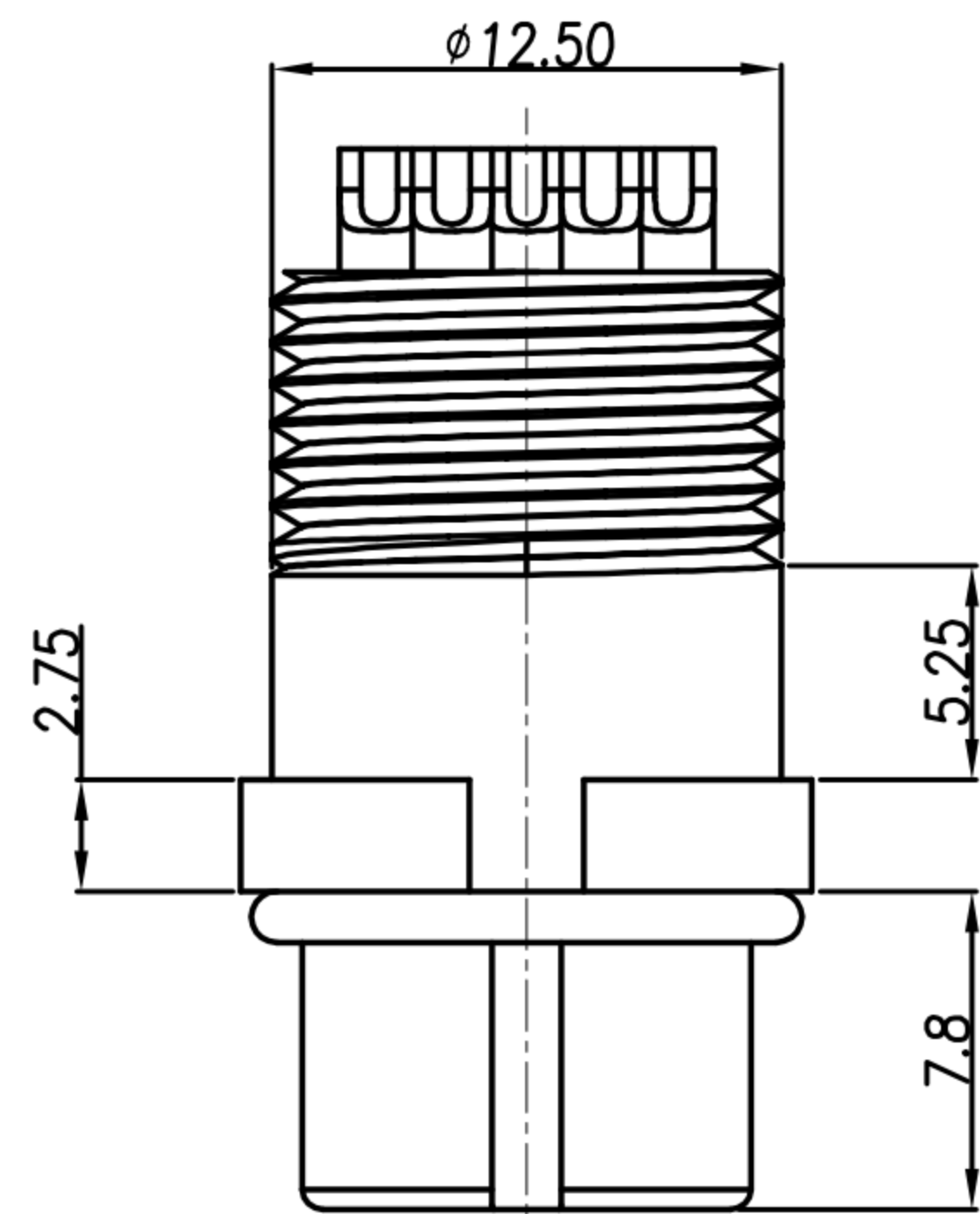


CUSTOMER DRAWING

REV.	DESCRIPTION	APPROVED BY	DATE	ECN NO.
A	RELEASE	Ku Chou	25/06/18'	
B				
C				



ASS'Y

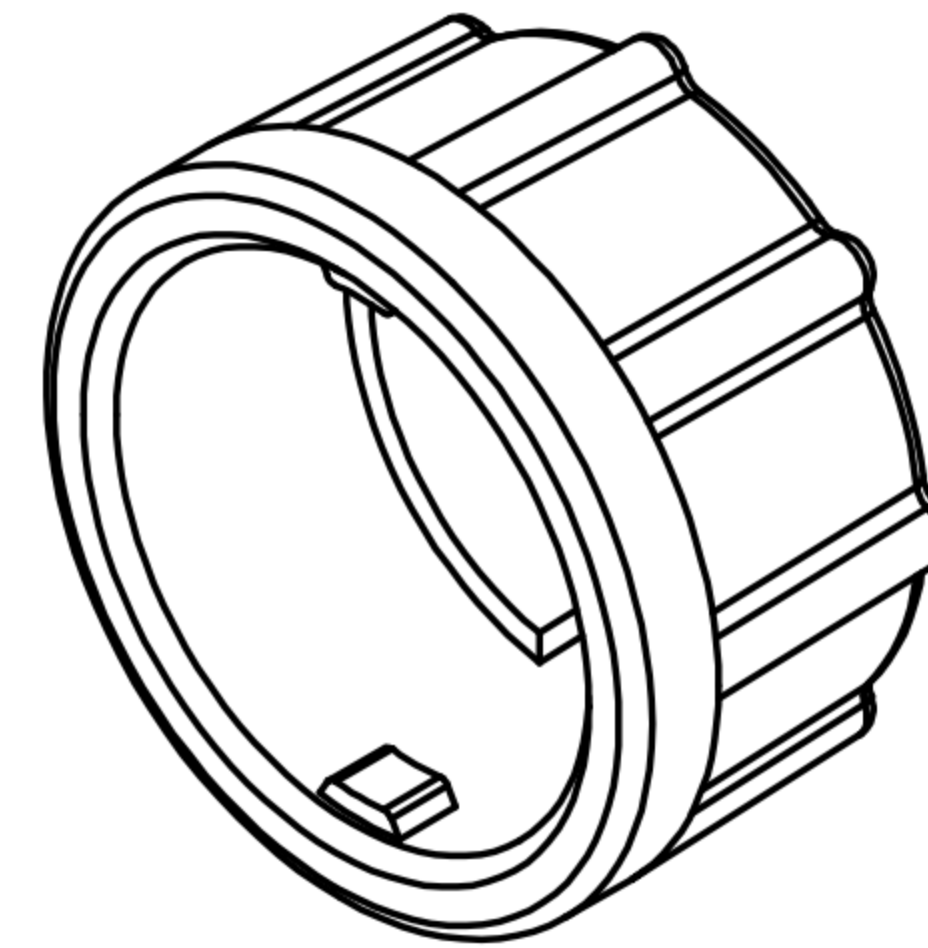
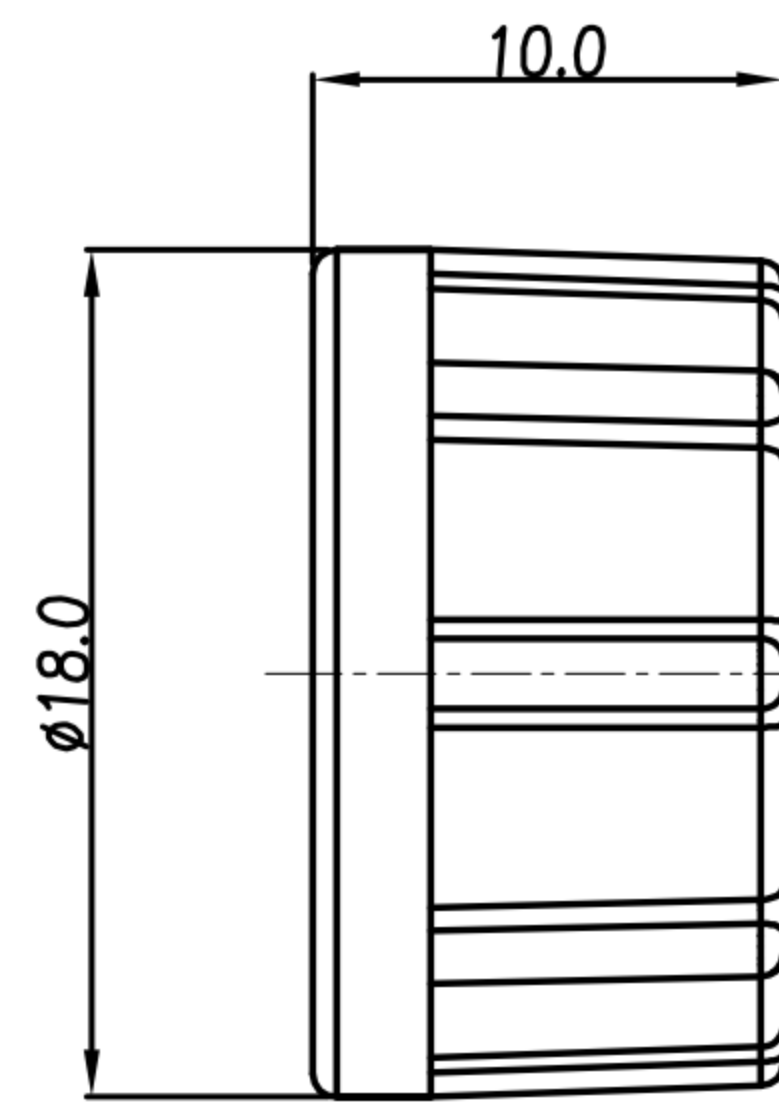
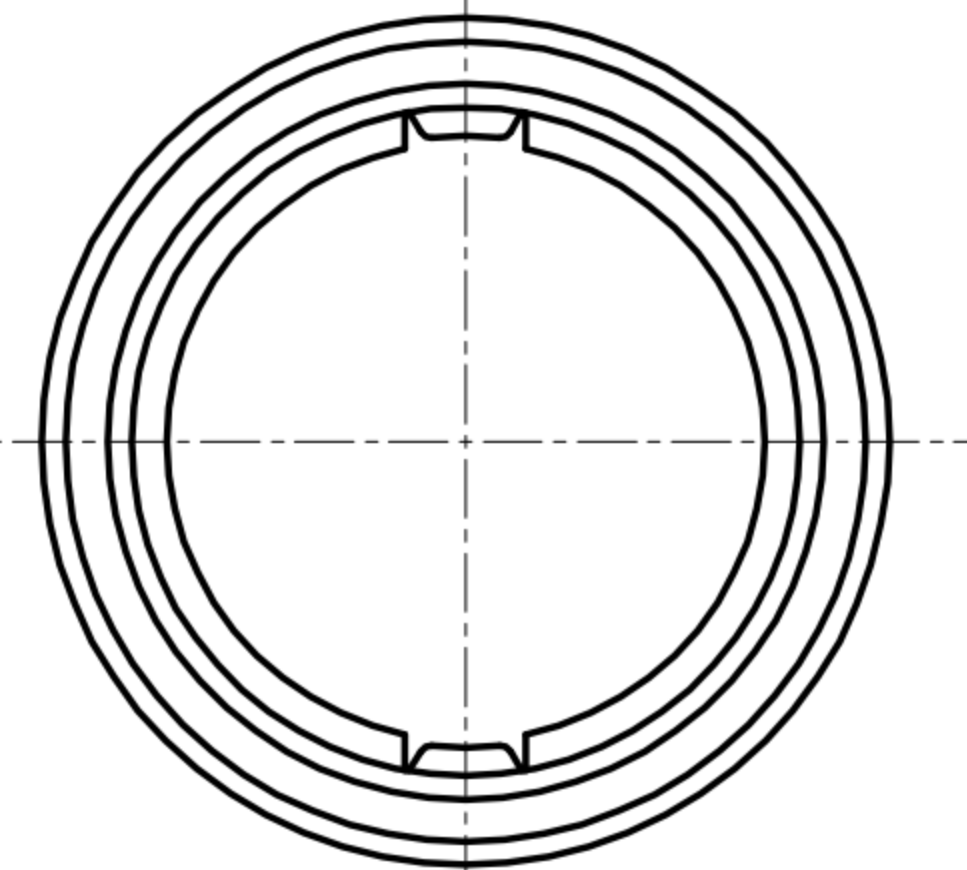
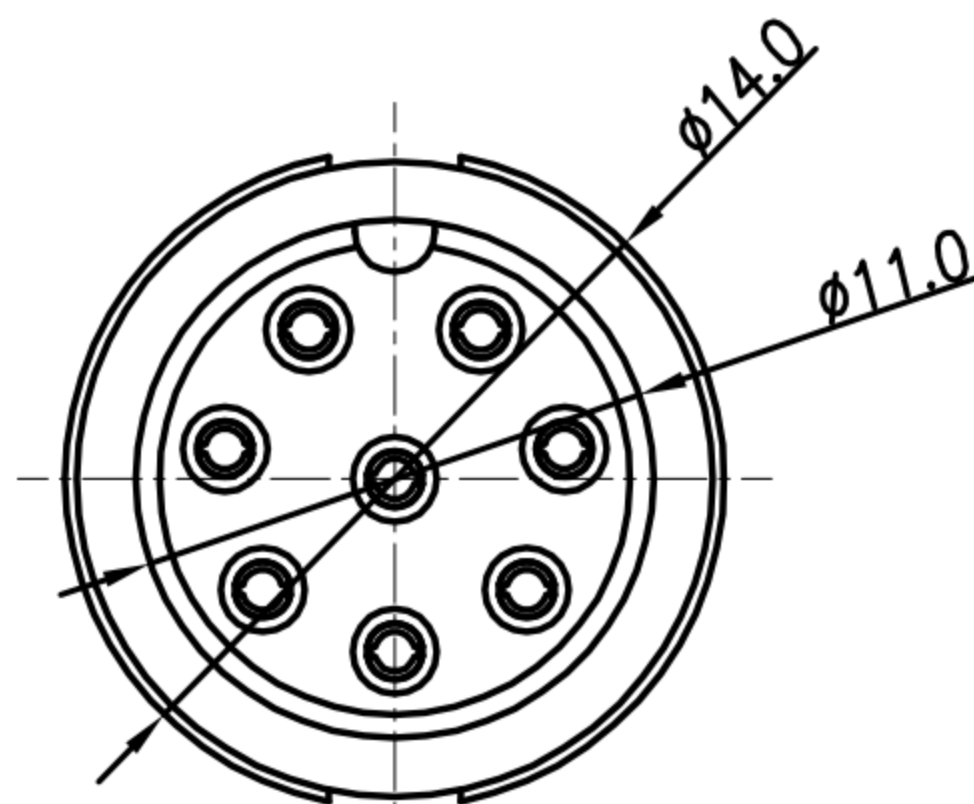
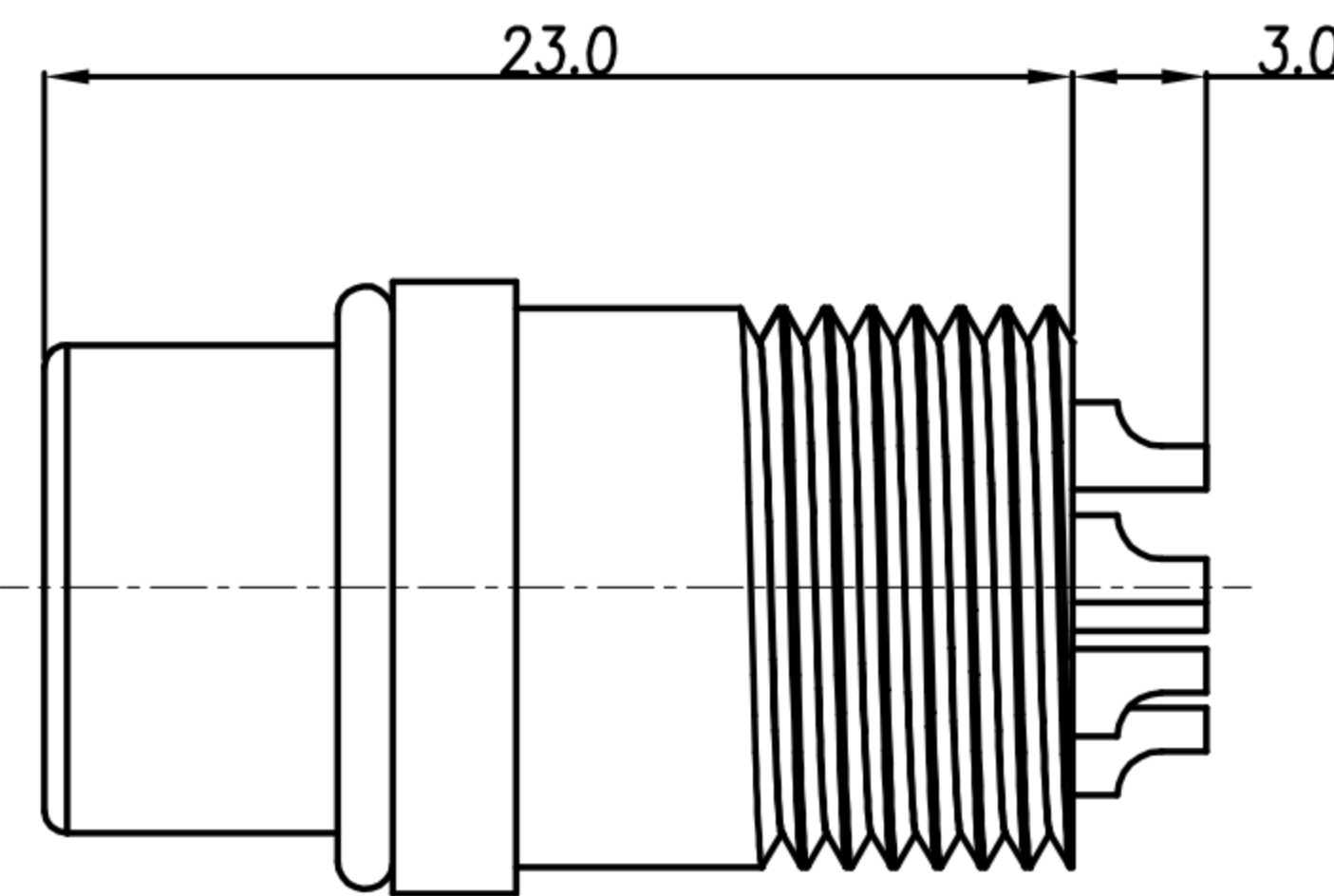


TABLE A

6 PIN	7 PIN	8 PIN	
WP-06F2-61-11	WP-07F2-08-11	WP-08F2-95-11	
2 PIN	3 PIN	4 PIN	5 PIN
WP-02F2-49-11	WP-03F2-89-11	WP-04F2-188-11	WP-05F2-146-11

PIN ASSIGMENTS  
FRONT VIEW

- MATERIAL :
  - HOUSING : PA66
  - CONTACT : BRASS
  - O-RING : SILICONE
  - LOCK NUT : PA66
- FINISH :
  - CONTACT : GOLD FLASH PLATED.
- ELECTRICAL SPECIFICATION :
  - Rated current : 5A
  - Rated voltage : 250V
  - Water proof : IP67
- Environmental :
  - Operation Temperature : -20°C~80°C

DRAWN	Emily Suen	APP'D	Ku Chou	UNIT	mm	TOLERANCE			广东科斯达电子科技有限公司 GUANG DONG KE SI DA ELECTRONIC TECHNOLOGY CO., LTD.	TITLE	WP (F) (LOCK) B SIZE 焊線式			SHEET	
CHK'D	Ku Chou			SCALE	1:1					PART NO.	SEE TABLE A	DWG NO.	QC8411	VERSION	