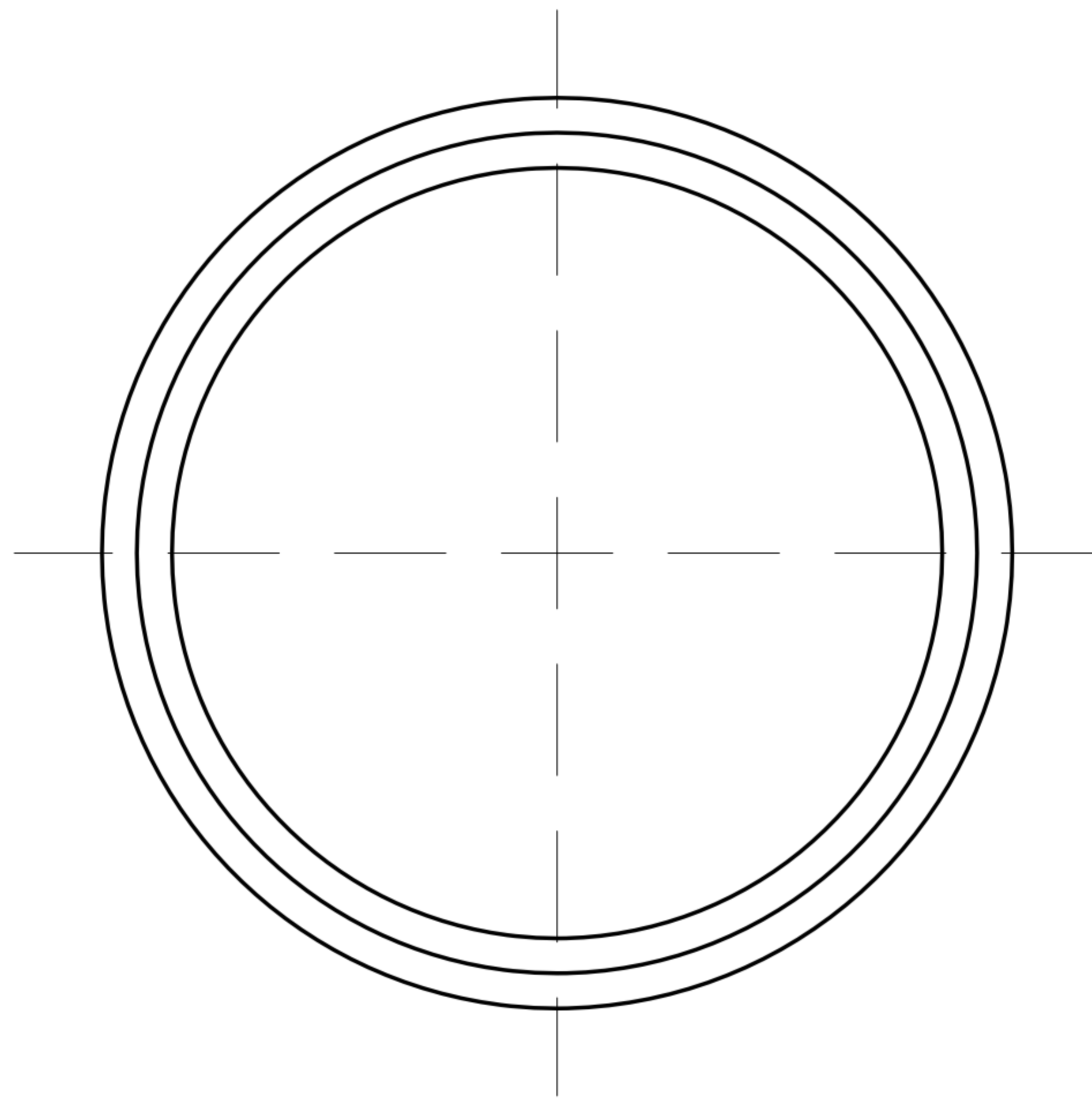
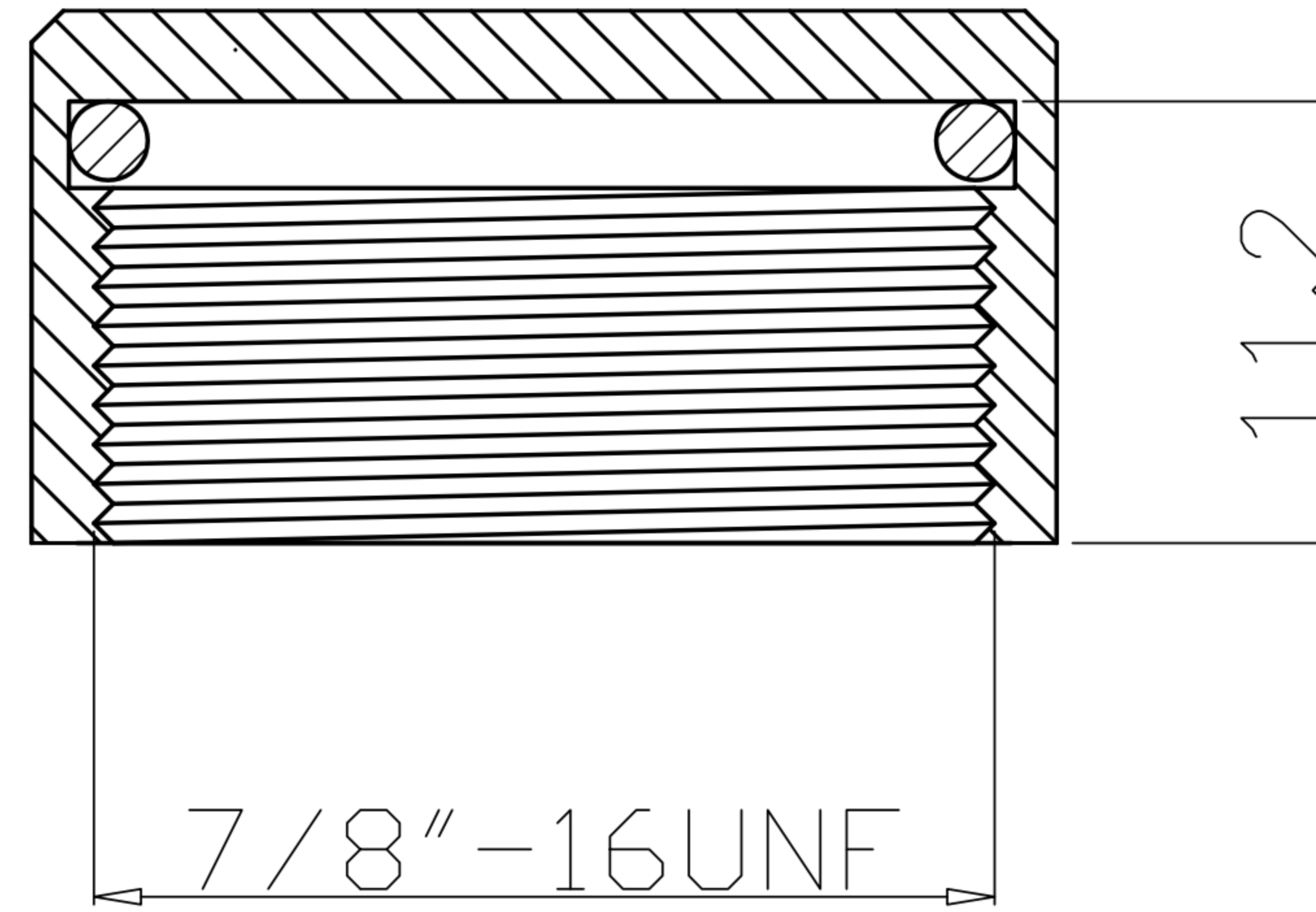
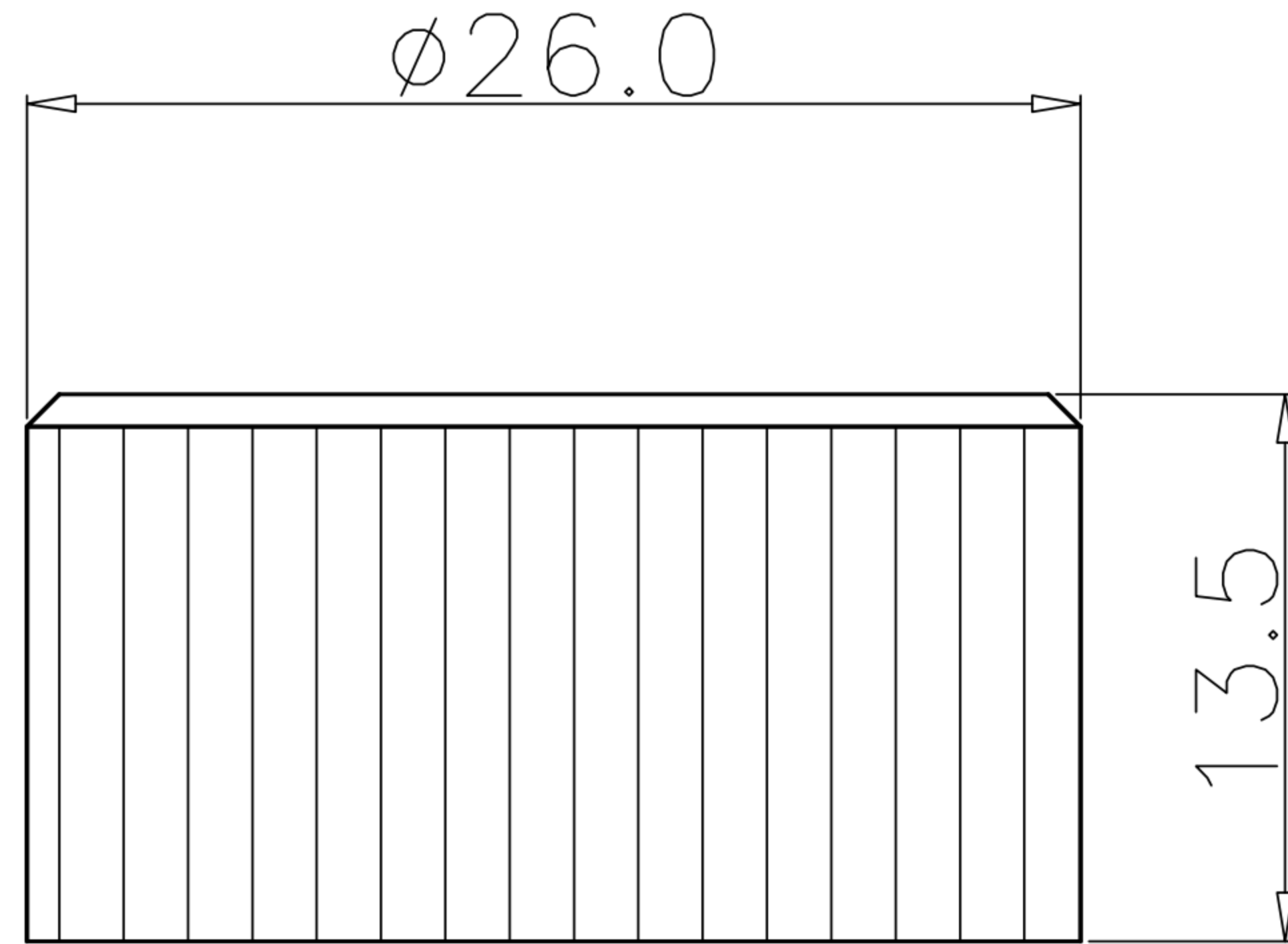


CUSTOMER DWAWING

REV.	DESCRIPTION	APPROVED BY	DATE	ECN NO.
△A	RELEASE	Fido Weng	12/12/11'	
△B				
△C				



1. MATERIAL :
 - 1-1. NUT : BRASS
 - 1-2. O-RING : SILICONE
2. FINISH :
 - 2-1. NUT : NICKEL PLATED.

DRAWN	Jen Xie	APP'D	Ku Chou	UNIT	mm	TOLERANCE			TITLE	7/8"-16UNF 防尘盖+O-RING			SHEET	
CHK'D	Emily Suen			SCALE	1:1	.x ±0.10 .xx ±0.05 .xxx ±0.03 .xxxx ±0.01 ANGULA ±1°			PART NO.	NY-WP797-11	DWG NO.	QC7379	VERSION	