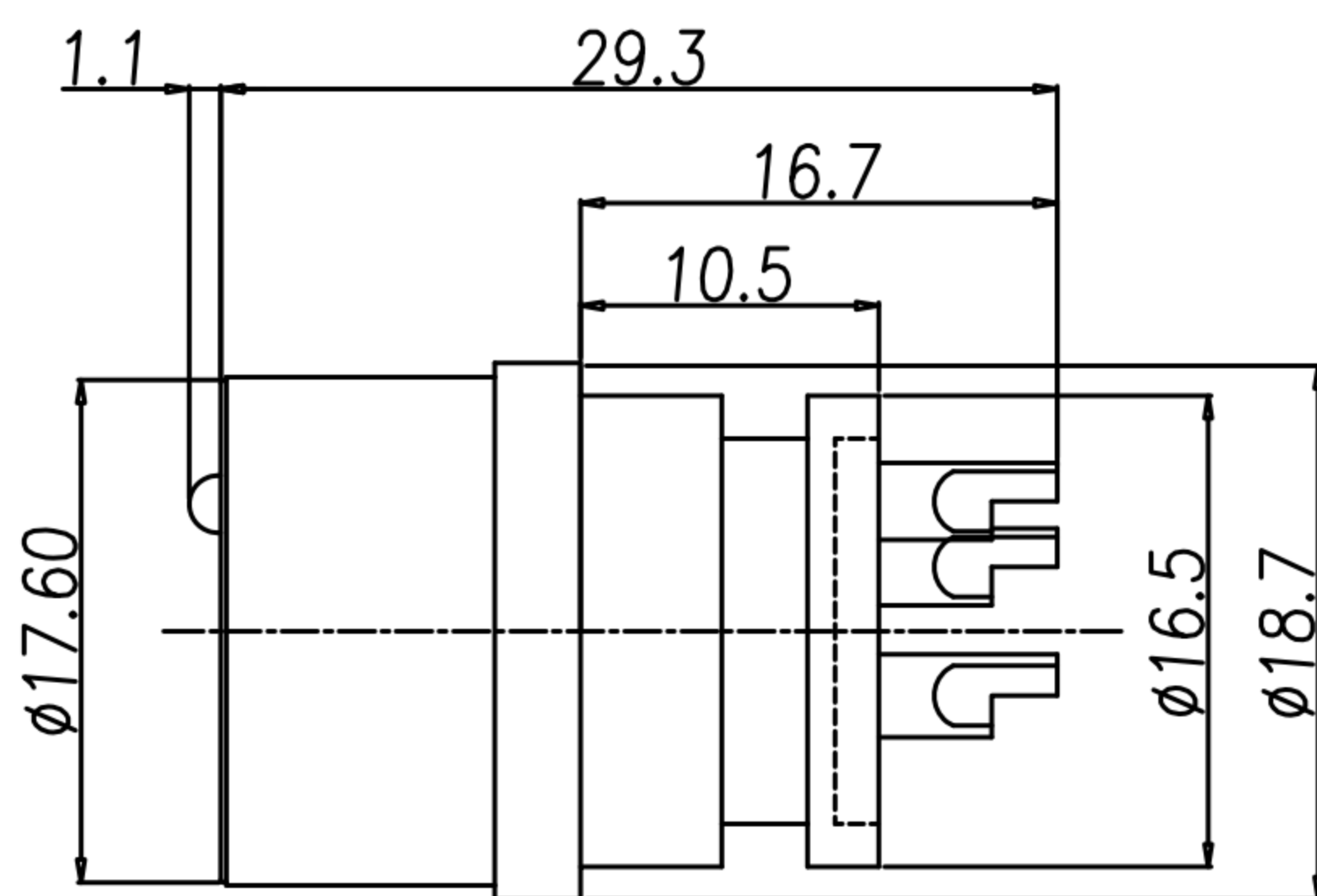
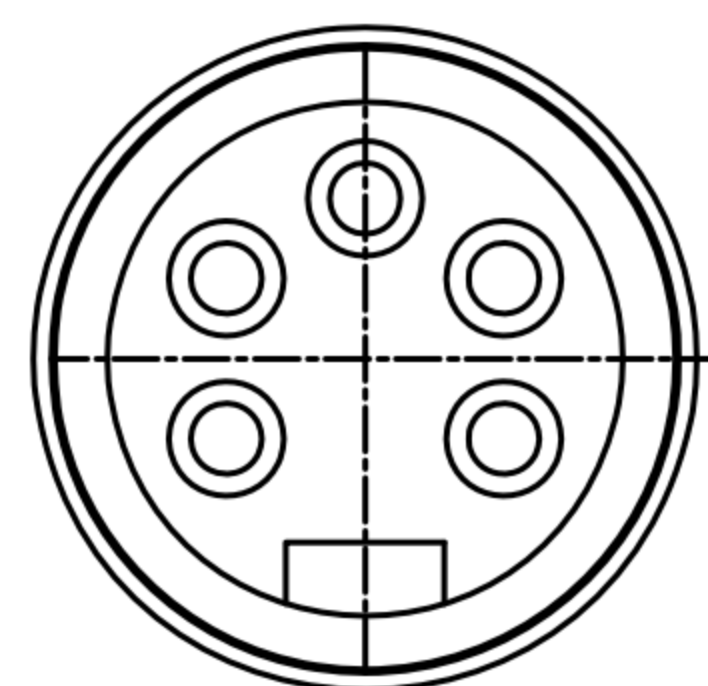
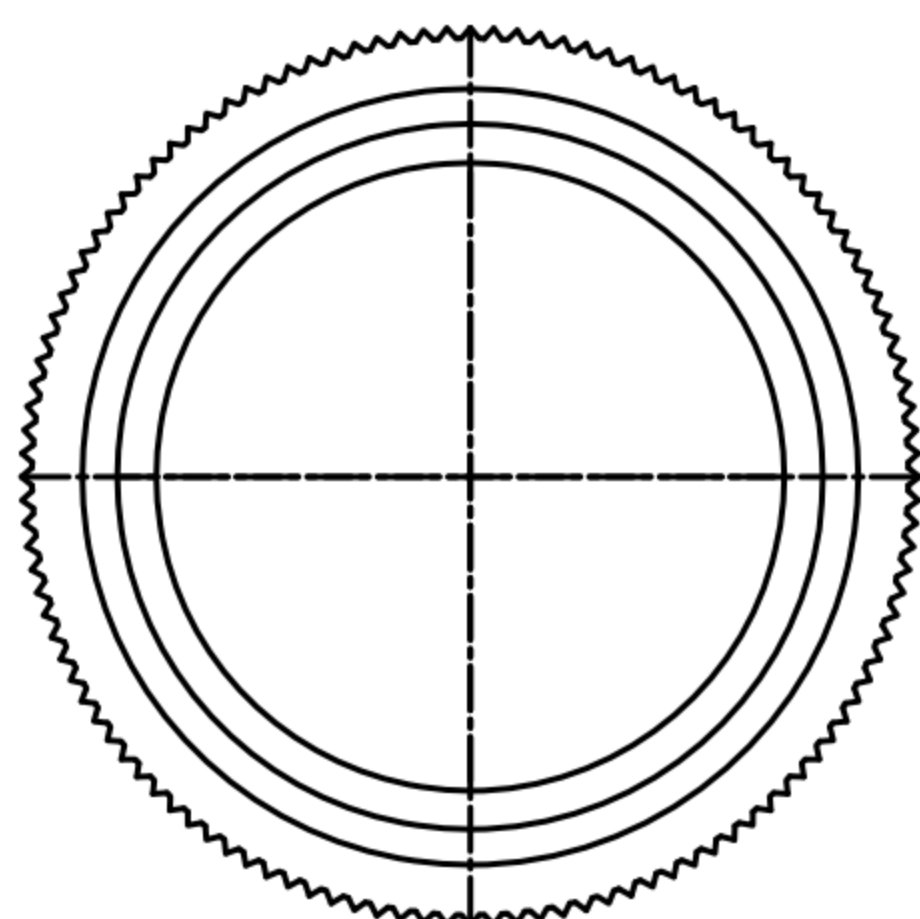


CUSTOMER DRAWING

REV.	DESCRIPTION	APPROVED BY	DATE	ECN NO.
A	RELEASE	Fido Weng	22/12/08*	
B				
C				



- MATERIAL :
 - 1-1. HOUSING : PBT UL94V-0 ; COLOR : YELLOW
 - 1-2. CONTACT : BRASS
 - 1-3. NUT : BRASS
 - 1-4. O-RING : NBR ; COLOR : BLACK
- FINISH :
 - 2-1. CONTACT : SEE TABLE A
 - UNDER PLATE : NICKEL
 - 2-2. NUT : NICKEL PLATED
- ELECTRICAL SPECIFICATION :
 - 3-1. Rated current : 20A
 - 3-2. Rated voltage : 250V
 - 3-3. Water proof : IP68
- Environmental :
 - 4-1. Operation Temperature : -20℃~85℃



NUT

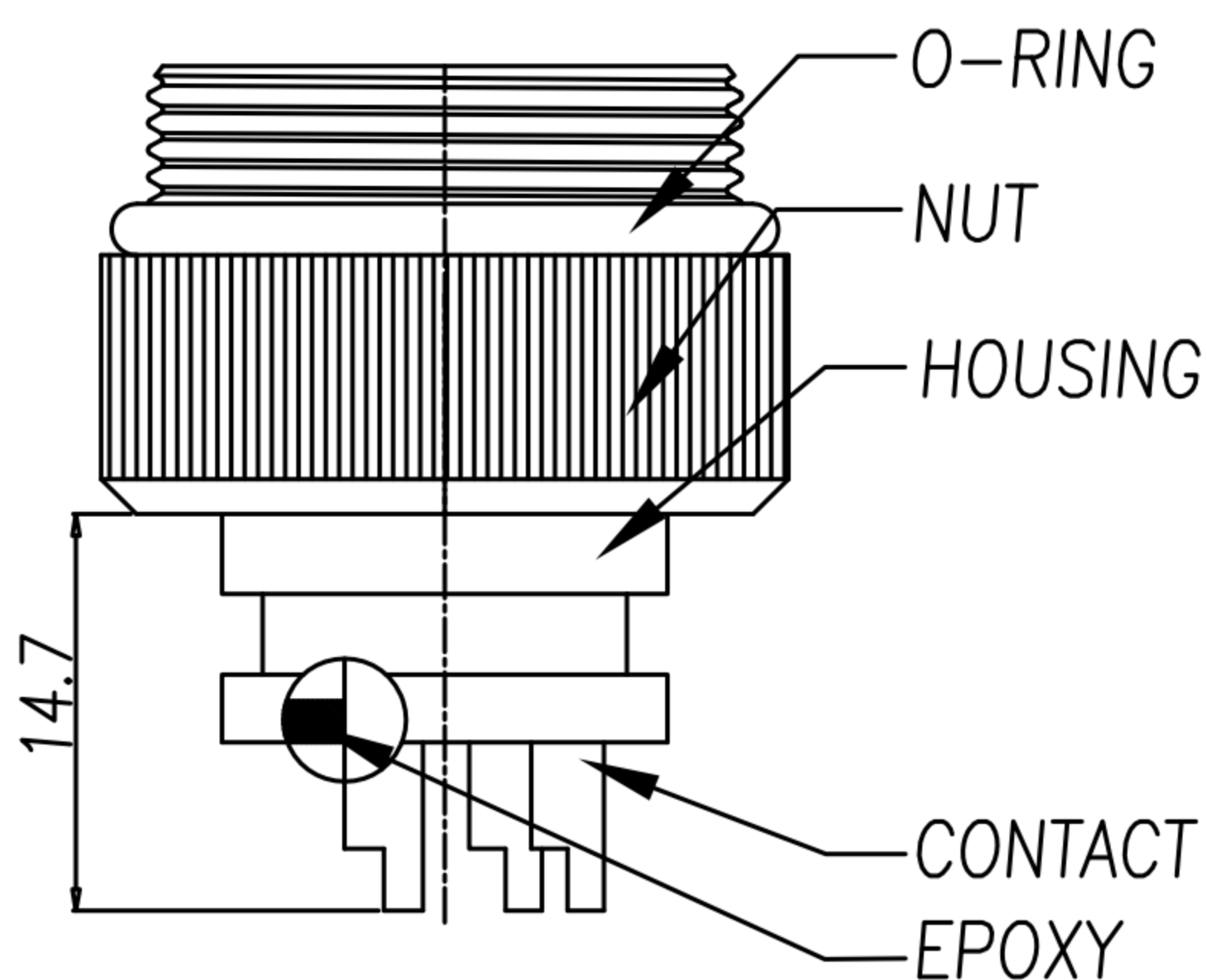
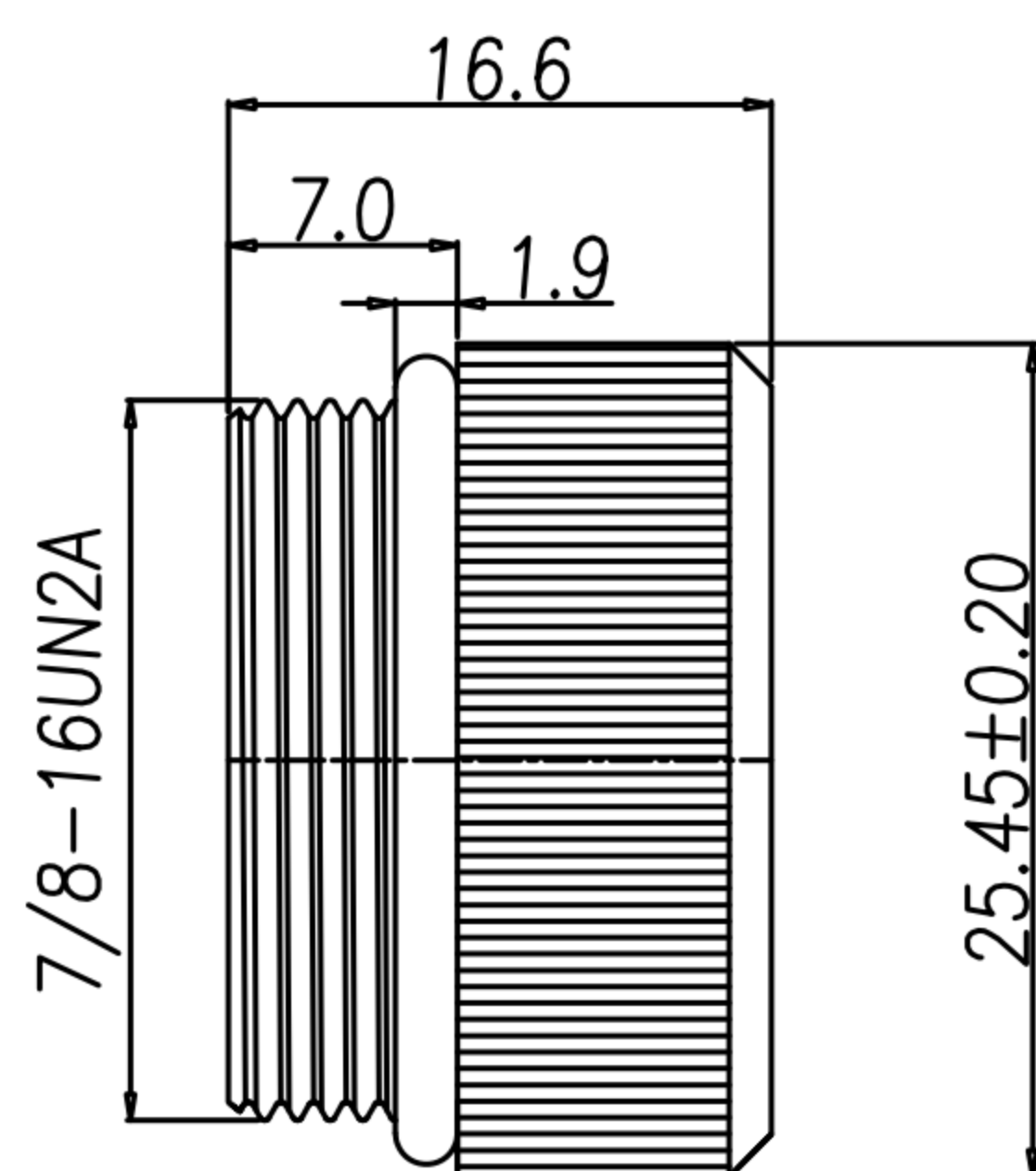


TABLE A

	3PIN	4PIN	5PIN
	WP-03M2-13 WP-03M2-71-11	WP-04M2-37 WP-04M2-233-11	WP-05M2-17 WP-05M2-186-11
WP-05M2-17	30u" GOLD PLATED	WP-05M2-186-11	GOLD FLASH PLATED
WP-04M2-37	30u" GOLD PLATED	WP-04M2-233-11	GOLD FLASH PLATED
WP-03M2-13	30u" GOLD PLATED	WP-03M2-71-11	GOLD FLASH PLATED
PART No.	FINISH	PART No.	FINISH

DRAWN	Mark Kao	APPEND	Ku Chou	UNIT	mm	TOLERANCE			广东科斯达电子科技有限公司 GUANG DONG KE SI DA ELECTRONIC TECHNOLOGY CO., LTD.	TITLE	防水頭 (M) 杯口線端			SHEET	1/1
CHKED	Emily Suen			SCALE	1:1					PART NO.	SEE TABLE A	DWG NO.	QC2807	VERSION	A