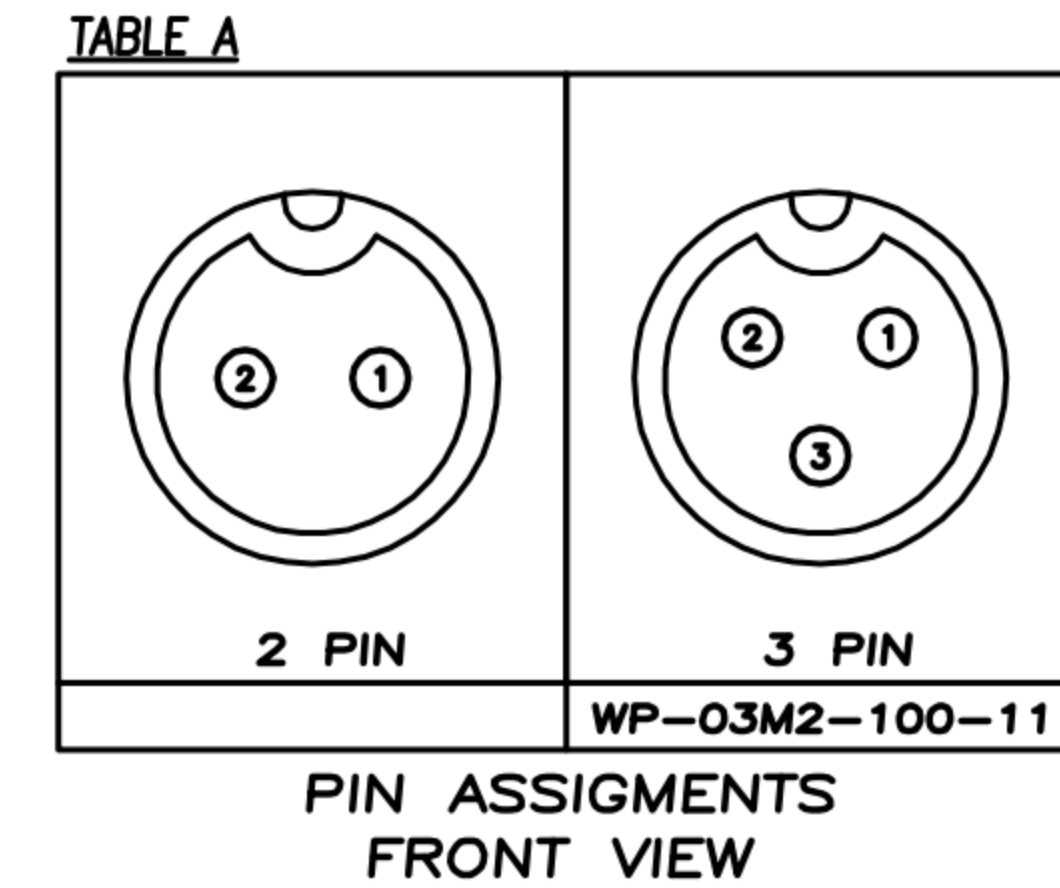
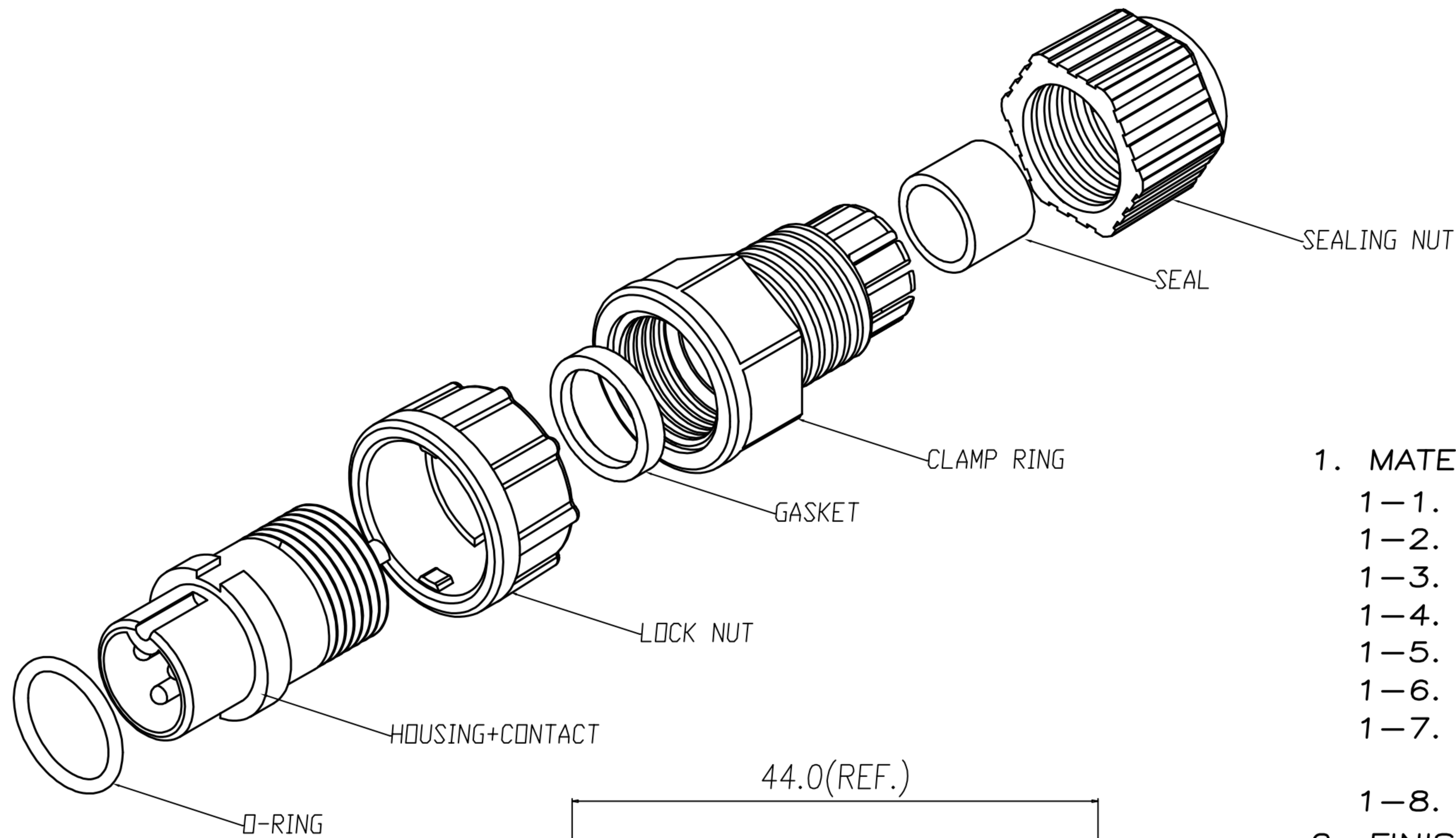


CUSTOMER DRAWING

| REV. | DESCRIPTION | APPROVED BY | DATE | ECN NO. |
|------|-------------|-------------|-----------|---------|
| △A | RELEASE | Ku Chou | 16/11/18* | |
| △B | | | | |
| △C | | | | |



1. MATERIAL :
 - 1-1. HOUSING : PA66
 - 1-2. CONTACT : BRASS
 - 1-3. O-RING : SILICONE
 - 1-4. LOCK NUT : PA66
 - 1-5. GASKET : SILICONE
 - 1-6. CLAMP RING : PA66
 - 1-7. SEAL : SILICONE
 - 1-8. SEALING NUT : PA66
 - CABLE OD ϕ 4.5mm ~6.5mm
2. FINISH :
 - 2-1. CONTACT : GOLD FLASH PLATED.
3. ELECTRICAL SPECIFICATION :
 - 3-1. Rated current : 10A
 - 3-2. Rated voltage : 250V
 - 3-3. Water proof : IP67
4. Environmental :
 - 4-1. Operation Temperature : $-40^{\circ}\text{C} \sim 105^{\circ}\text{C}$

| | | | | | | | | | | | | | | |
|-------|------------|-------|---------|-------|-----|--|--|--|----------|--|---------|--------|---------|---|
| DRAWN | Emily Suen | APP'D | Ku Chou | UNIT | mm | TOLERANCE | | 广东科斯达电子科技有限公司 GUANG DONG KE SI DA ELECTRONIC TECHNOLOGY CO., LTD. | TITLE | WP (F COMM M PIN) (LOCK) B SIZE ASSEMBLY TYPE(10A) | | | SHEET | A |
| CHK'D | Ku Chou | | | SCALE | 1:1 | .x ± 0.20 .xx ± 0.10 .xxx ± 0.05 .xxxx ± 0.03 ANGULA $\pm 1^{\circ}$ | | | PART NO. | SEE TABLE A | DWG NO. | QC8806 | VERSION | |