

CUSTOMER DRAWING

| REV. | DESCRIPTION                | APPROVED BY | DATE      | ECN NO. |
|------|----------------------------|-------------|-----------|---------|
| △A   | RELEASE                    | Ku Chou     | 20/07/18* |         |
| △B   | CHANGE CLAMP RING MATERIAL | Ku Chou     | 31/10/18* |         |
| △C   |                            |             |           |         |

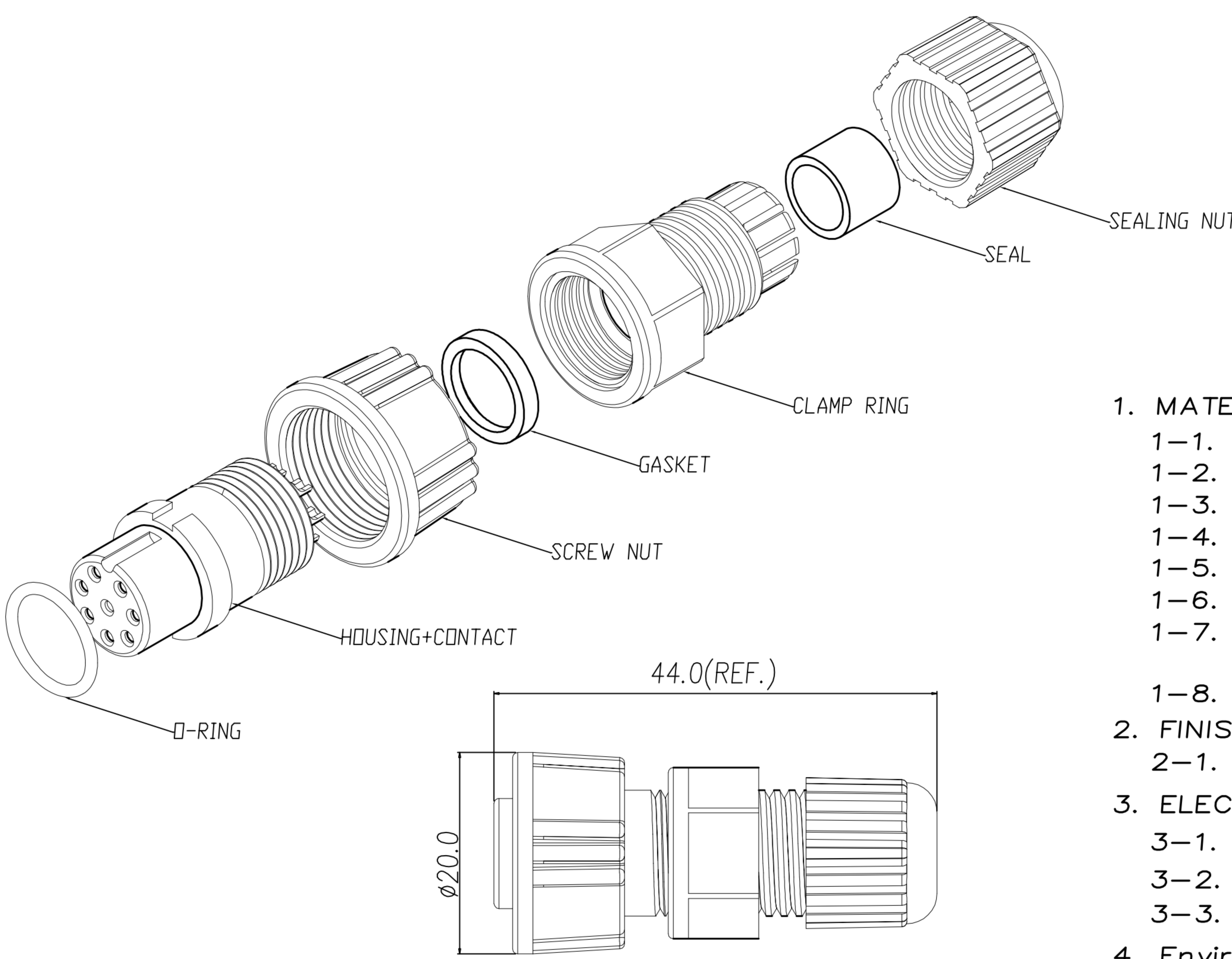


TABLE A

|                        |                        |                         |                         |
|------------------------|------------------------|-------------------------|-------------------------|
|                        |                        |                         |                         |
| 6 PIN<br>WP-06F2-64-11 | 7 PIN<br>WP-07F2-12-11 | 8 PIN<br>WP-08F2-103-11 |                         |
|                        |                        |                         |                         |
| 2 PIN<br>WP-02F2-57-11 | 3 PIN<br>WP-03F2-99-11 | 4 PIN<br>WP-04F2-197-11 | 5 PIN<br>WP-05F2-152-11 |

PIN ASSIGMENTS  
FRONT VIEW

- MATERIAL :
  - 1-1. HOUSING : PA66
  - 1-2. CONTACT : BRASS
  - 1-3. O-RING : SILICONE
  - 1-4. LOCK NUT : PA66
  - 1-5. GASKET : SILICONE
  - 1-6. CLAMP RING : PA66 △B
  - 1-7. SEAL : SILICONE
  - 1-8. SEALING NUT : PA66
- FINISH :
  - 2-1. CONTACT : GOLD FLASH PLATED.
- ELECTRICAL SPECIFICATION :
  - 3-1. Rated current : 5A
  - 3-2. Rated voltage : 250V
  - 3-3. Water proof : IP67
- Environmental :
  - 4-1. Operation Temperature : -40℃~105℃

|       |            |       |         |       |     |  |  |  |          |   |         |        |         |  |
|-------|------------|-------|---------|-------|-----|--|--|--|----------|---|---------|--------|---------|--|
| DRAWN | Emily Suen | APP'D | Ku Chou | UNIT  | mm  | TOLERANCE  |  | 广东科斯达电子科技有限公司<br>GUANG DONG KE SI DA ELECTRONIC TECHNOLOGY CO., LTD. | TITLE    | WP (F) (SCREW) B SIZE ASSEMBLY TYPE(5A) |         |        | SHEET   |  |
| CHK'D | Ku Chou    |       |         | SCALE | 1:1 | .x ±0.20<br>.xx ±0.10<br>.xxx ±0.05<br>.xxxx ±0.03<br>ANGULA ±1° |  |  | PART NO. | SEE TABLE A                             | DWG NO. | QC8638 | VERSION |  |