

CUSTOMER DRAWING

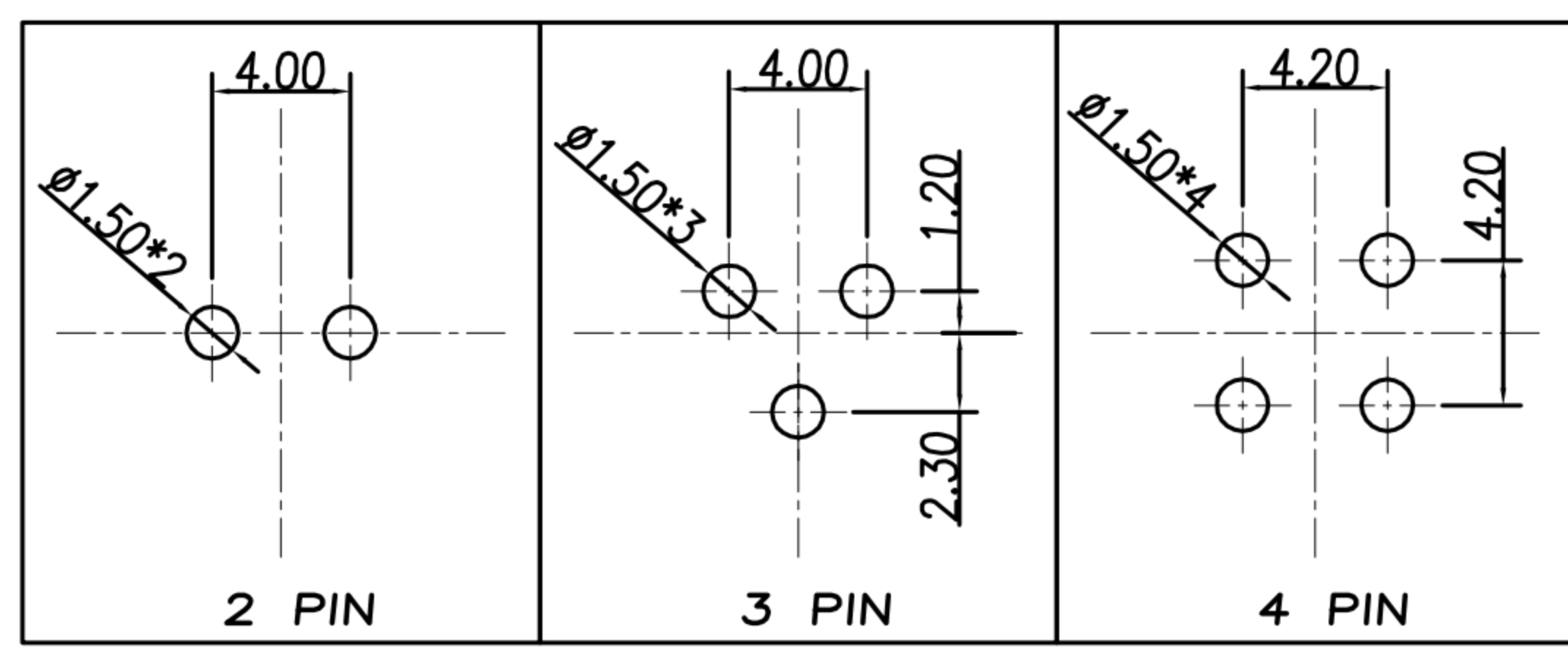
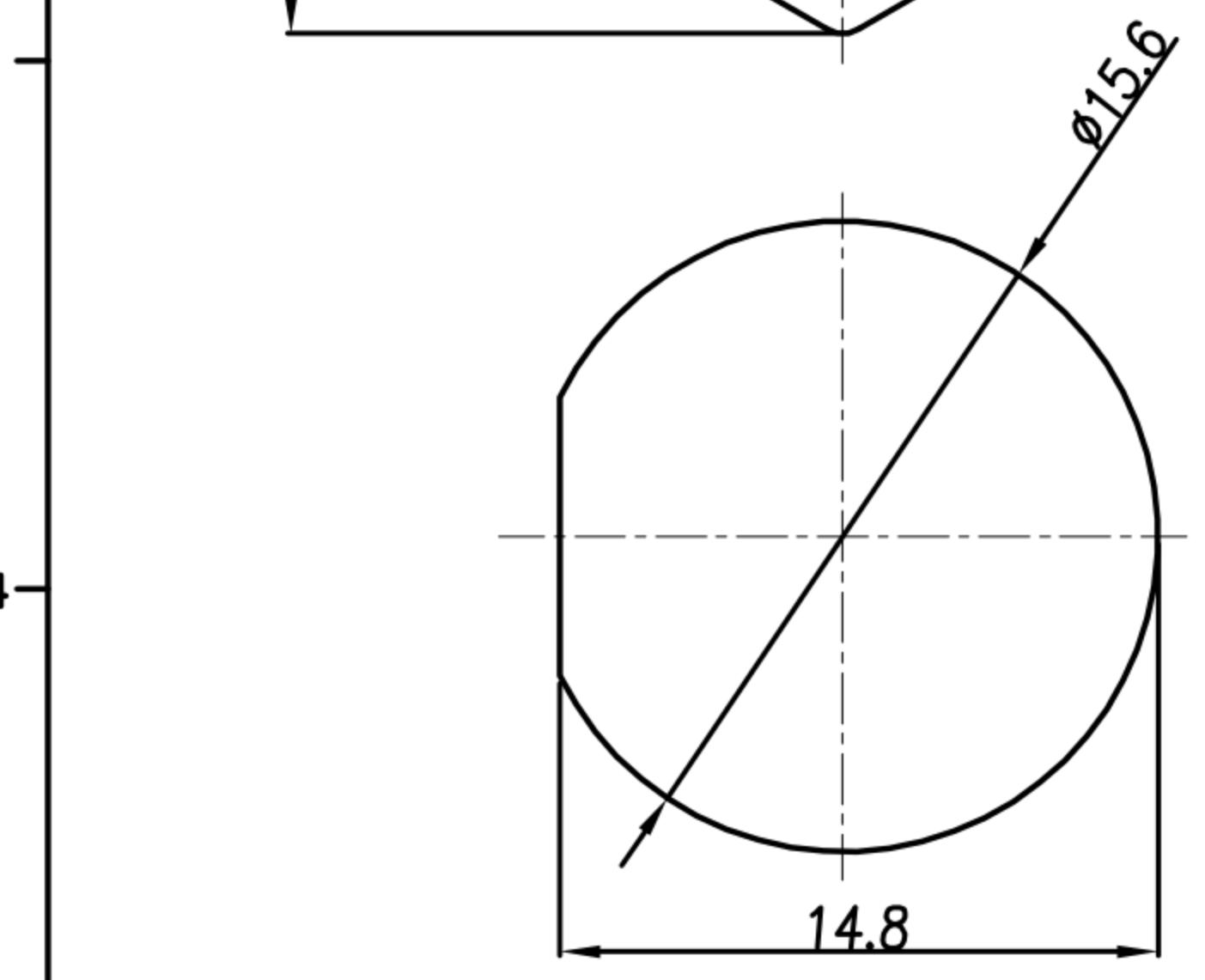
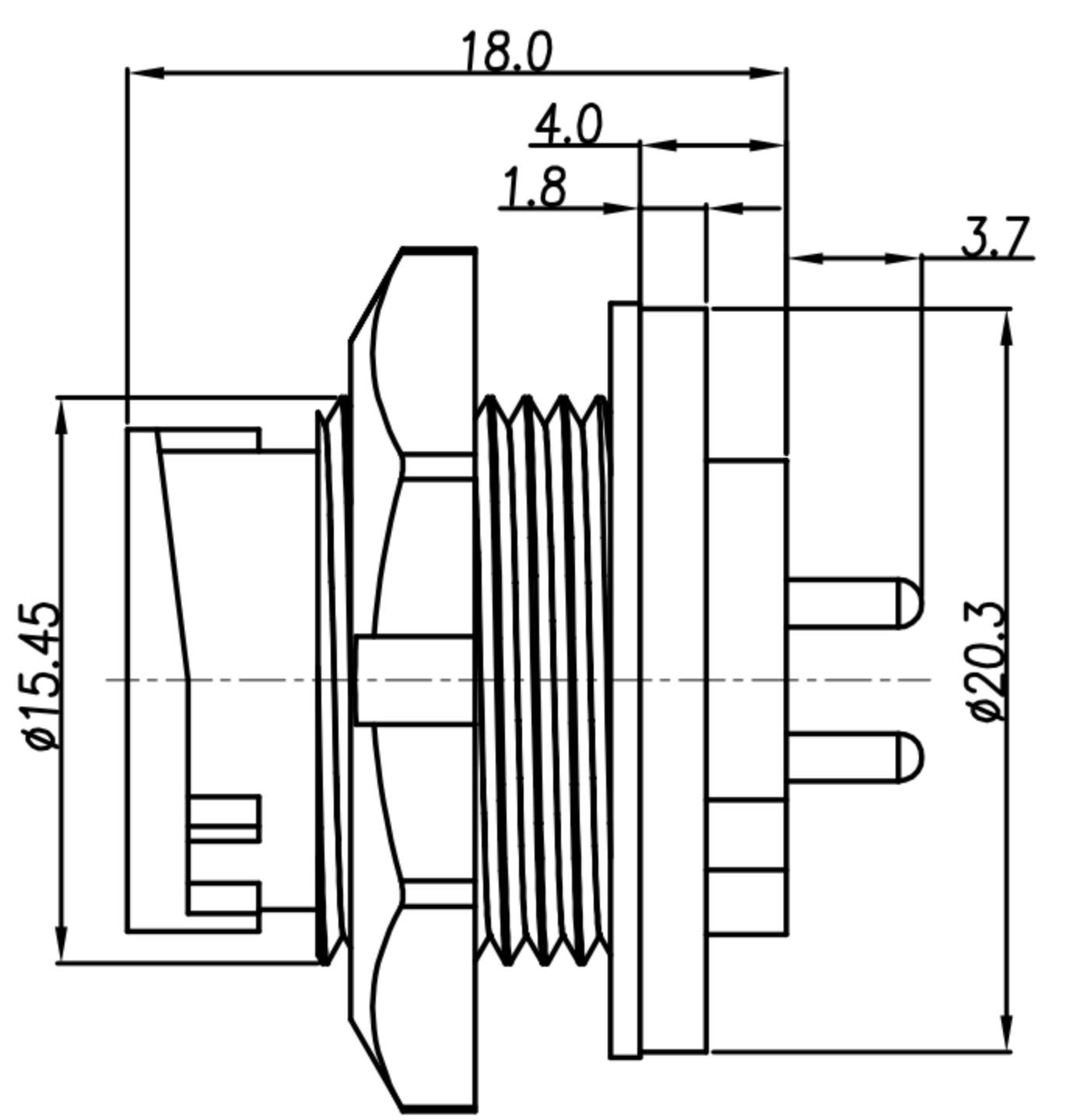
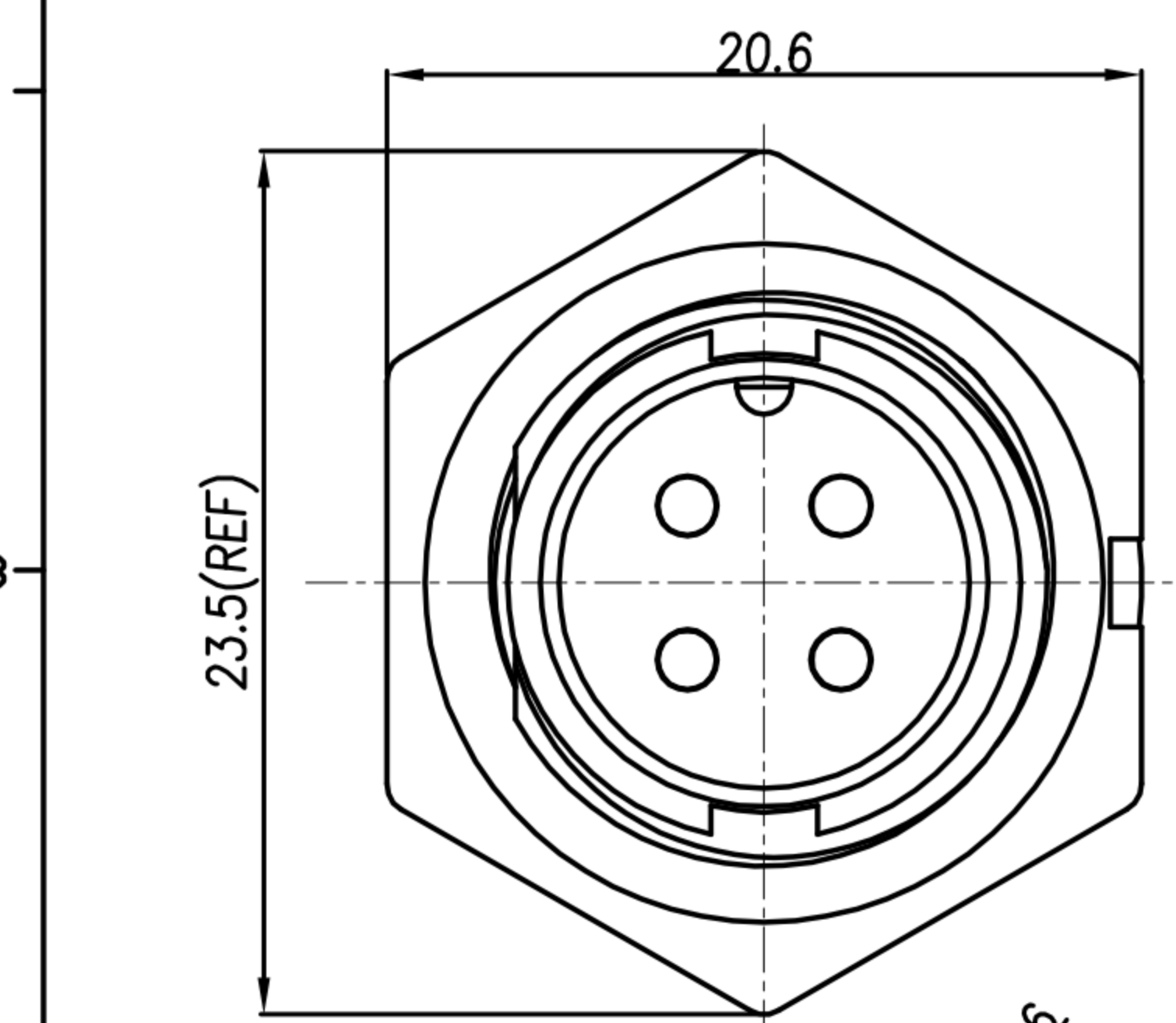
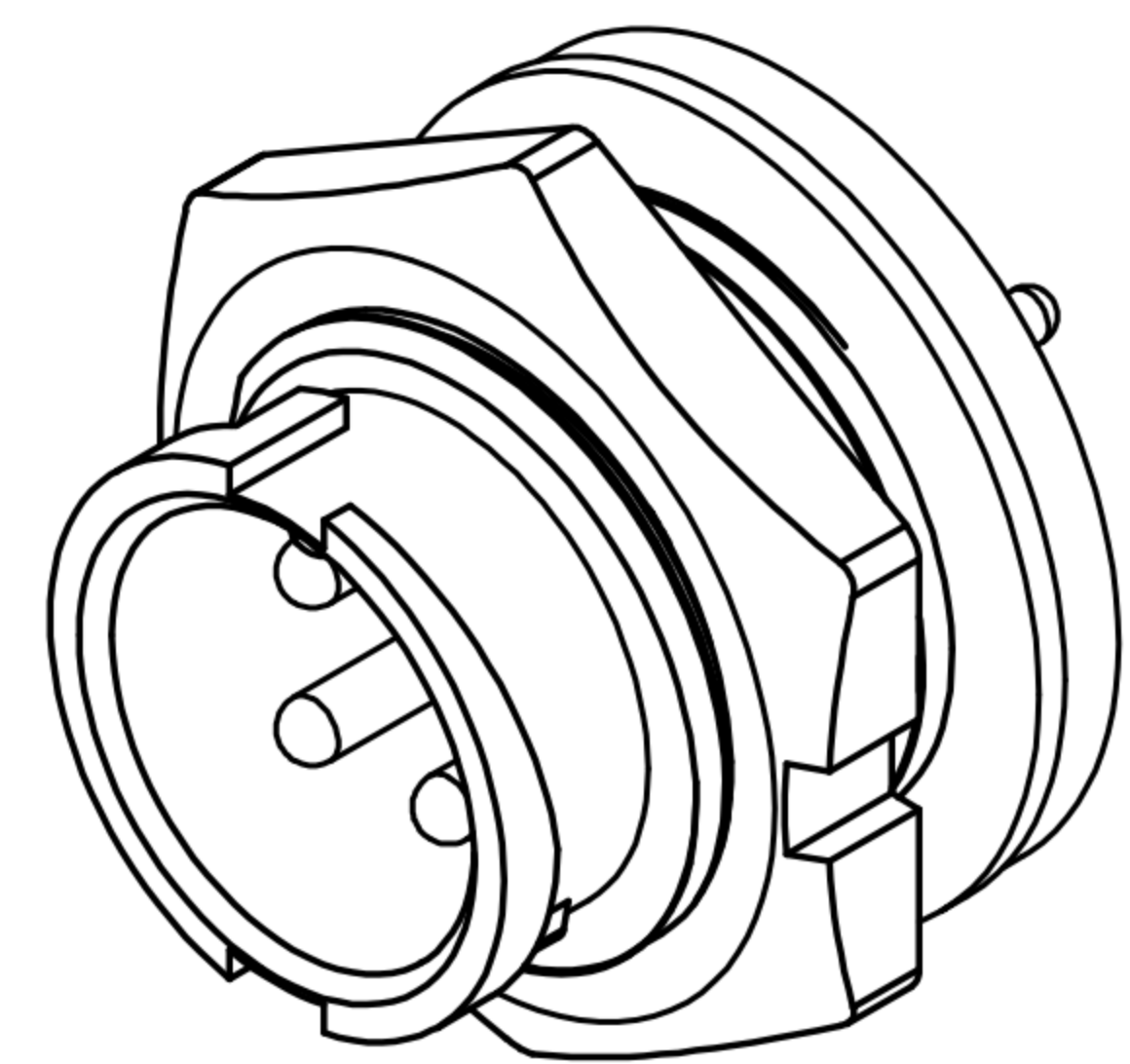
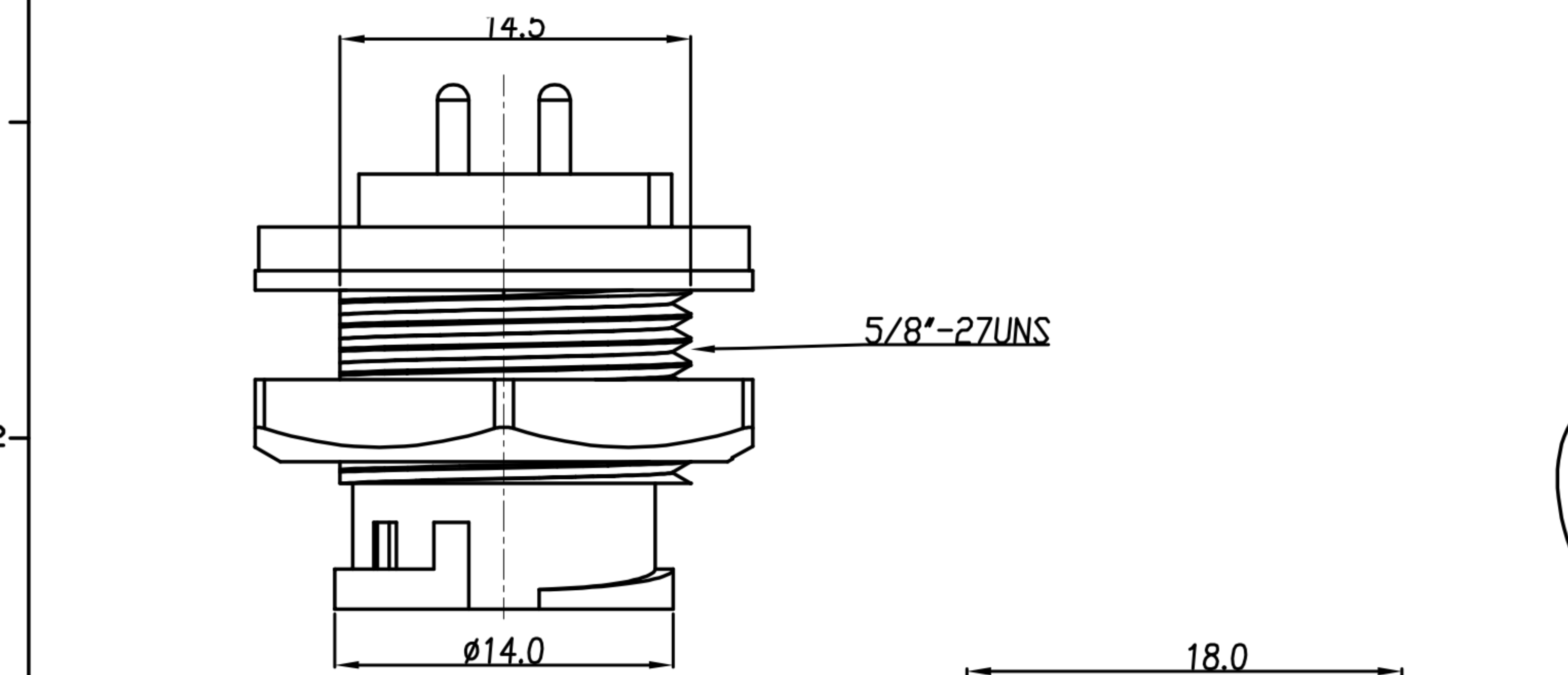
REV.	DESCRIPTION	APPROVED BY	DATE	ECN NO.
A	RELEASE	Ku Chou	25/06/18'	
B				
C				

TABLE A

2 PIN	3 PIN	4 PIN
WP-02M3-02-11	WP-03M3-01-11	WP-04M3-03-11

PIN ASSIGMENTS
FRONT VIEW

- MATERIAL :
 - HOUSING : PA66
 - CONTACT : BRASS
 - GASKET : SILICONE
 - HEX NUT : PA66
- FINISH :
 - CONTACT : GOLD FLASH PLATED.
- ELECTRICAL SPECIFICATION :
 - Rated current : 10A
 - Rated voltage : 250V
 - Water proof : IP67
- Environmental :
 - Operation Temperature : -40°C~105°C



PCB LAYOUT

RECOMMENDED PANEL CUT-OUT

DRAWN	Emily Suen	APP'D	Ku Chou	UNIT	mm	TOLERANCE		广东科斯达电子科技有限公司 GUANG DONG KE SI DA ELECTRONIC TECHNOLOGY CO., LTD.	TITLE	WP (M) (LOCK) B SIZE 前鎖DIP式			SHEET	1 VERSION A
CHK'D	Ku Chou			SCALE	1:1	.x ±0.20 .xx ±0.10 .xxx ±0.05 .xxxx ±0.03 ANGULA ±1°			PART NO.	SEE TABLE A	DWG NO.	QC8434		