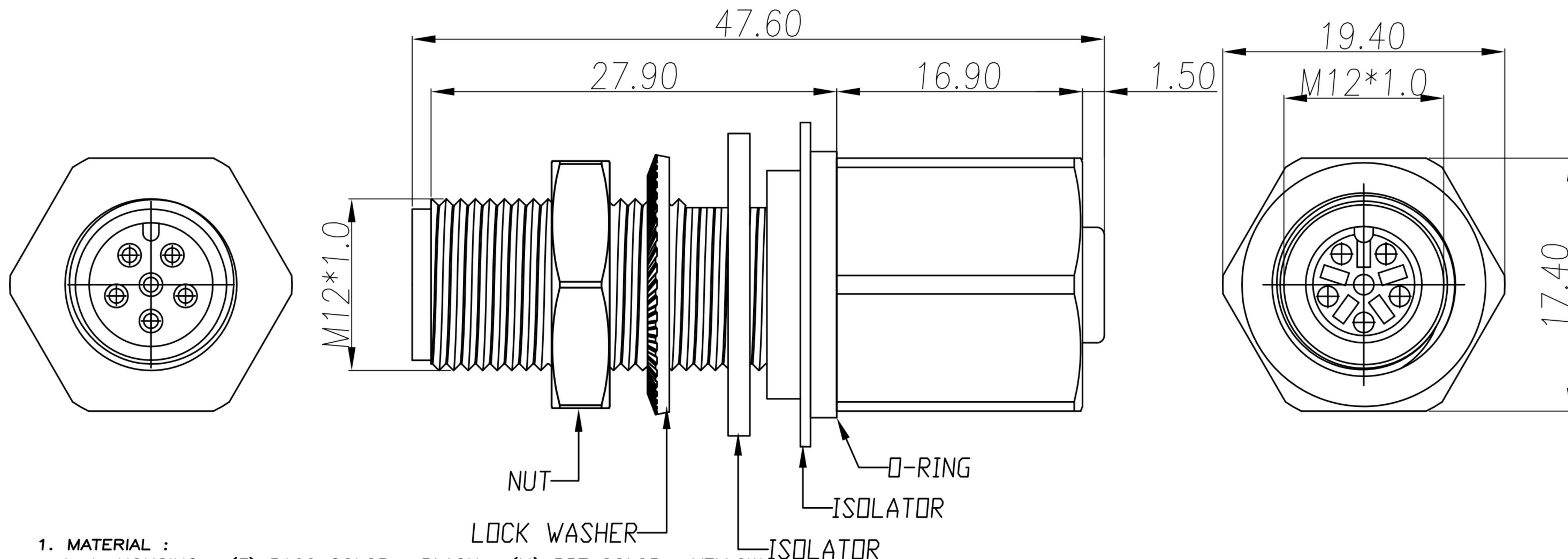


CUSTOMER DRAWING

REV.	DESCRIPTION	APPROVED BY	DATE	ECN NO.
A	RELEASE	Fido Weng	26/03/14'	
B				
C				



1. MATERIAL :
 - 1-1. HOUSING : (F) PA66 COLOR : BLACK ; (M) PBT COLOR : YELLOW
 - 1-2. CONTACT : BRASS
 - 1-3. SHELL : BRASS
 - 1-4. NUT : BRASS
 - 1-5. ISOLATOR : POM
 - 1-6. O-RING : SILICONE ; COLOR : BLACK.
 - 1-7. WASHER : MEDIUM-CARBON STEEL
2. FINISH :
 - 2-1. CONTACT : GOLD PLATED OVER ALL
 - 2-2. SHELL : NICKEL PLATED
 - 2-3. NUT : NICKEL PLATED
 - 2-4. WASHER : ANTI-RUST TREATMENT
3. ELECTRICAL SPECIFICATION :
 - 3-1. Rated current : 2A
 - 3-2. Rated voltage : 30V
 - 3-3. Water proof : IP68
4. Environmental :
 - 4-1. Operation Temperature : -40℃~105℃

DRAWN	Ku Chou	APP'D	Emily Suen	UNIT	mm	TOLERANCE		广东科斯达电子科技有限公司 GUANG DONG KE SI DA ELECTRONIC TECHNOLOGY CO., LTD.	TITLE	防水頭 M12 6PIN A-CODE 雙接頭			SHEET	
CHK'D	Ku Chou			SCALE	1:1	.x ±0.20 .xx ±0.10 .xxx ±0.05 .xxxx ±0.01 ANGULA ±1°			PART NO.	CB-0414-11	DWG NO.	QC6615	VERSION	