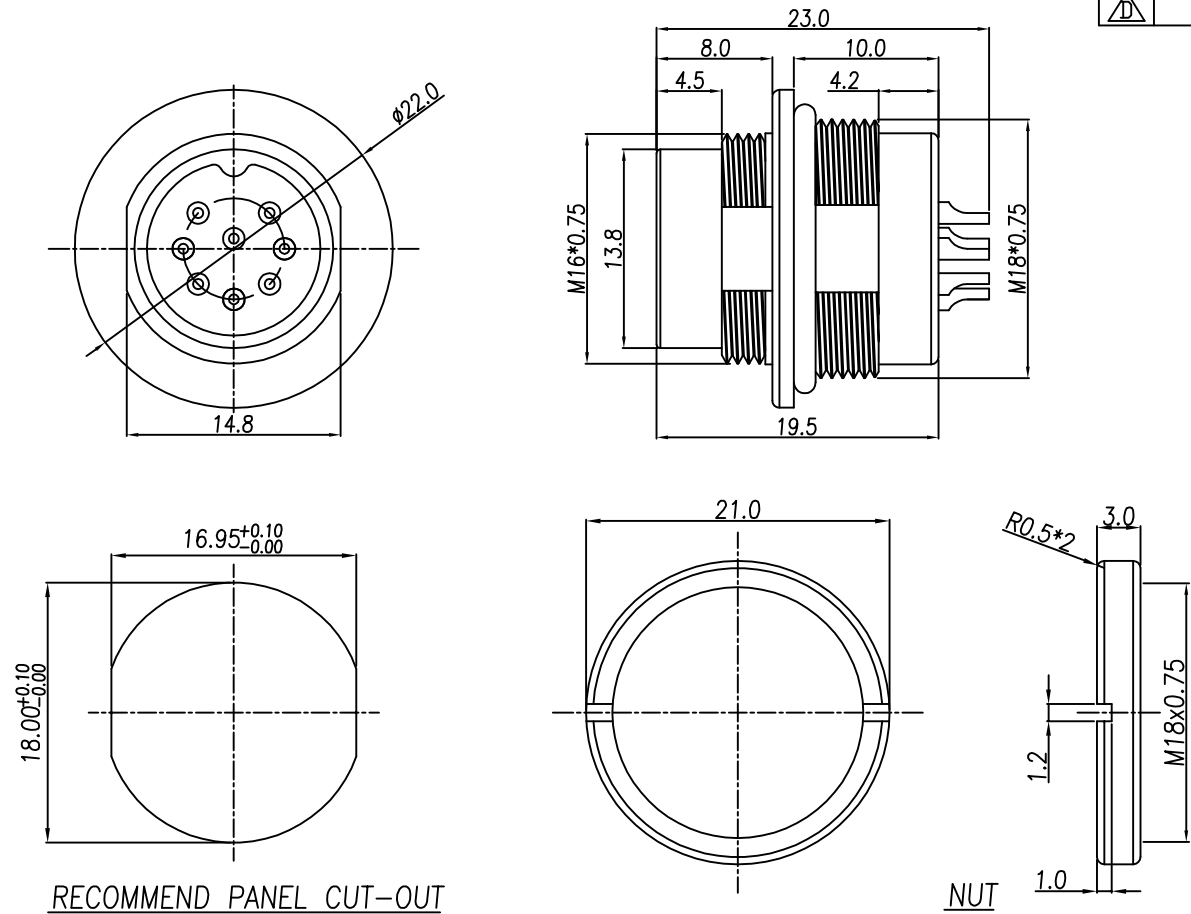


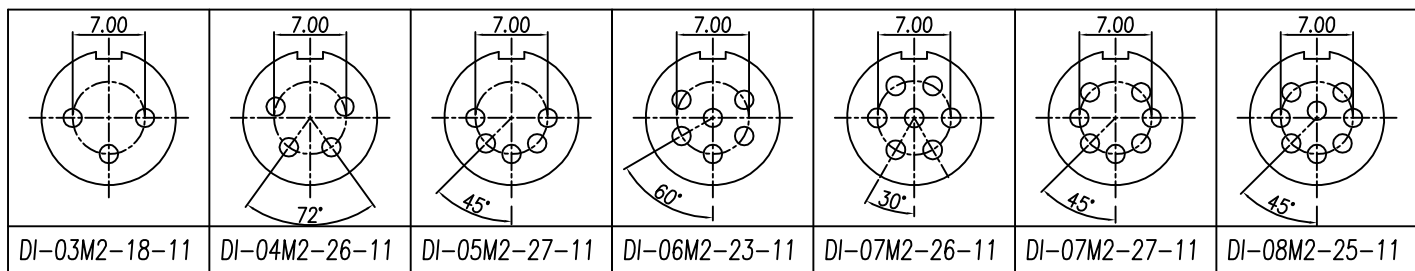
A B C D E F

CUSTOMER DRAWING

REV.	DESCRIPTION	APPROVED BY	DATE	ECN NO.
A	RELEASE	LEO	10/02/23*	
B				
C				
D				



- MATERIAL :
  - HOUSING : PA66 ; COLOR : BLACK.
  - CONTACT : BRASS
  - NUT : BRASS
  - O-RING : EPDM ; COLOR : BLACK
  - SHELL : BRASS.
- FINISH :
  - CONTACT : GOLD FLASH MICRO INCHES MIN.  
UNDER PLATE : NICKEL
  - NUT : NICKEL PLATED
  - SHELL : NICKEL PLATED
- ELECTRICAL SPECIFICATION :
  - Rated current : 5A
  - Rated Voltage : 250V
  - Water proof: IP67
- Environmental :
  - Operation Temperature : -40°C~85°C



DRAWN	LEO	APPEND	Emily Suen	UNIT	mm	TOLERANCE			TITLE	DIN M16 (M) 後鎖M18螺絲式			SHEET	
CHK'D	Emily Suen			SCALE	1:1	.x ±0.20 .xx ±0.10 .xxx ±0.05 .xxxx ±0.03 ANGULA ±1°			PART NO	SEE TABLE A	DWG NO.	QC10586	VERSION	

广东科斯达电子科技有限公司  
GUANG DONG KE SI DA ELECTRONIC TECHNOLOGY CO., LTD.