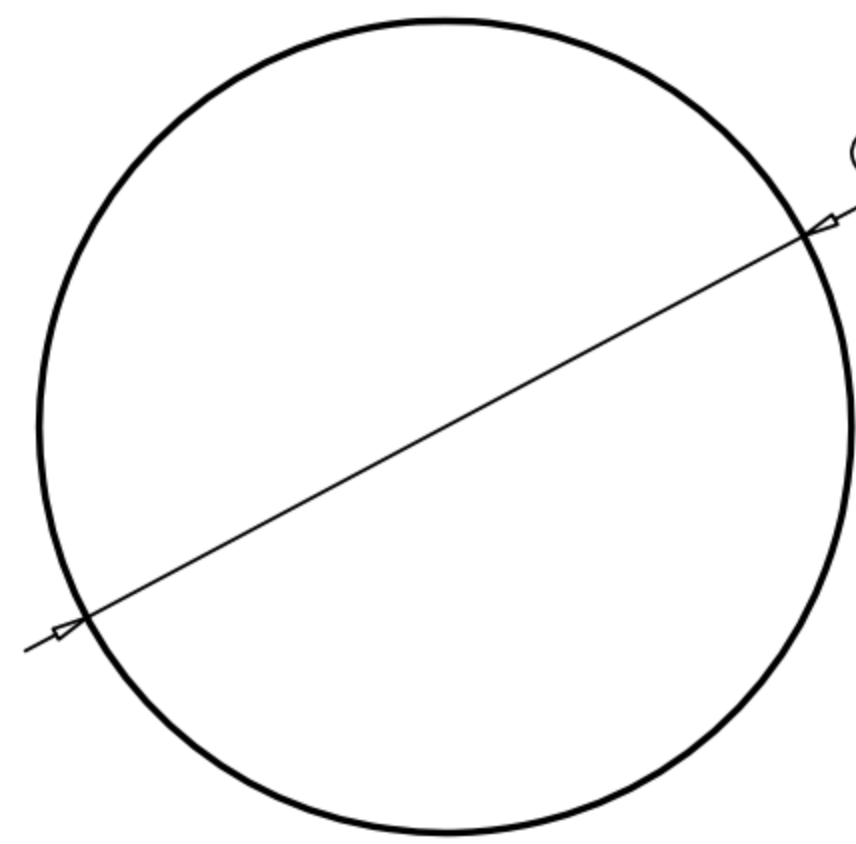
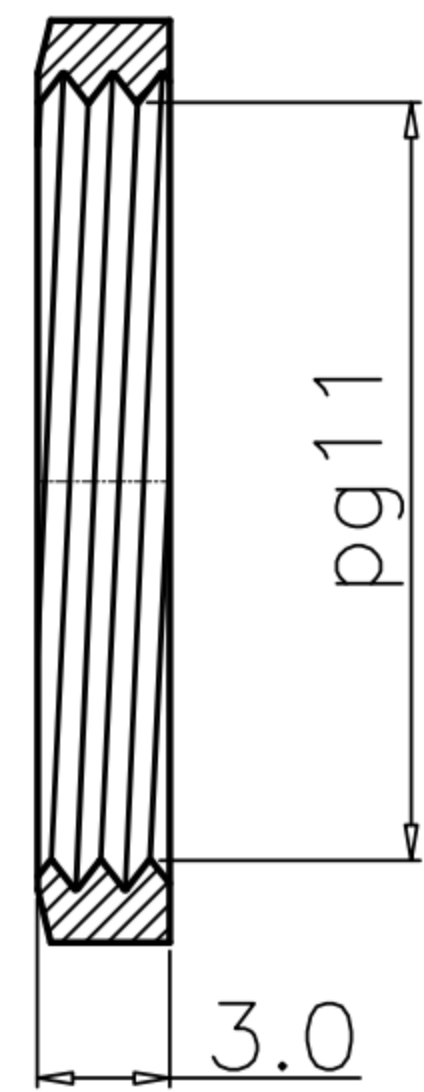
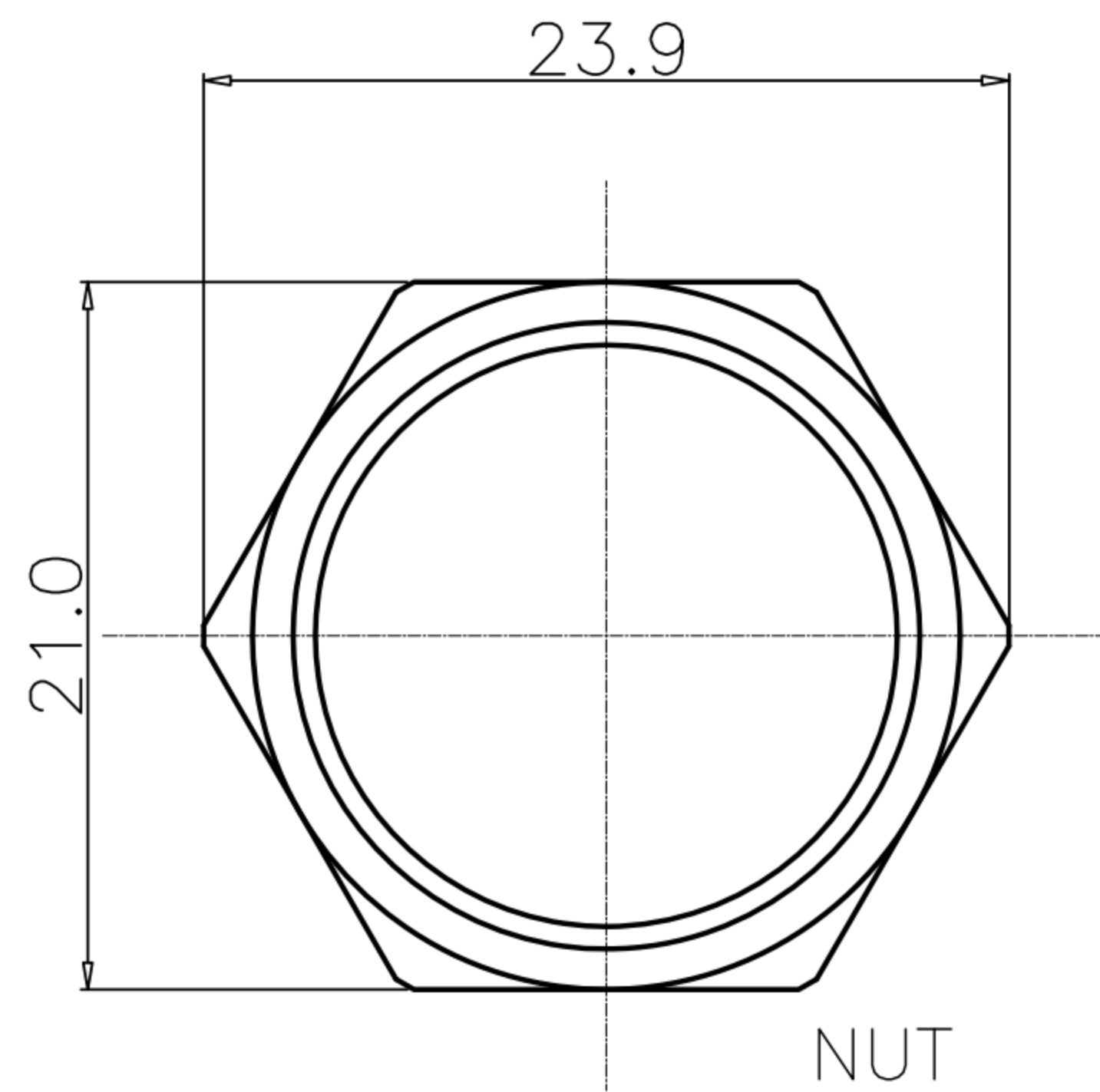
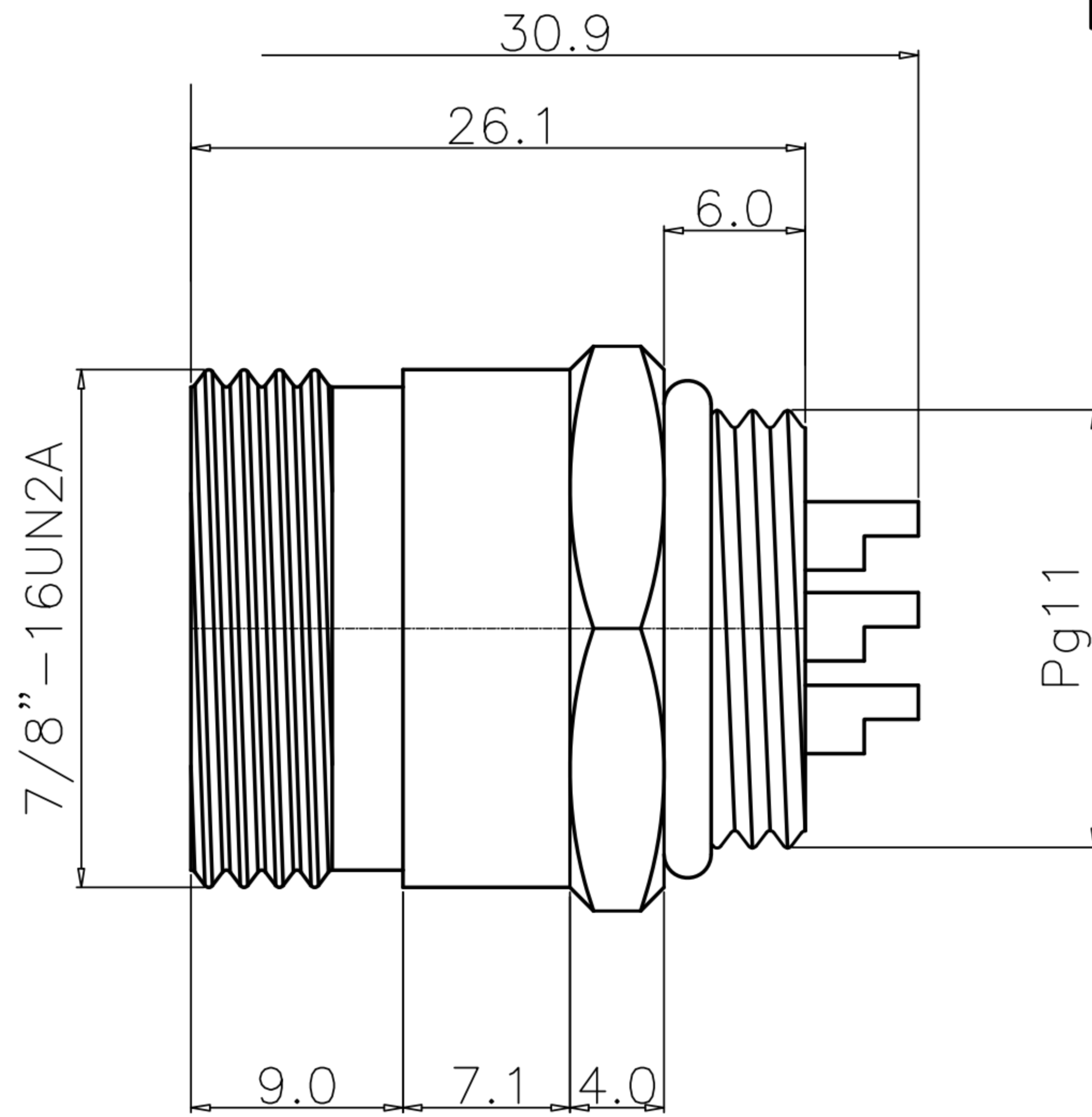
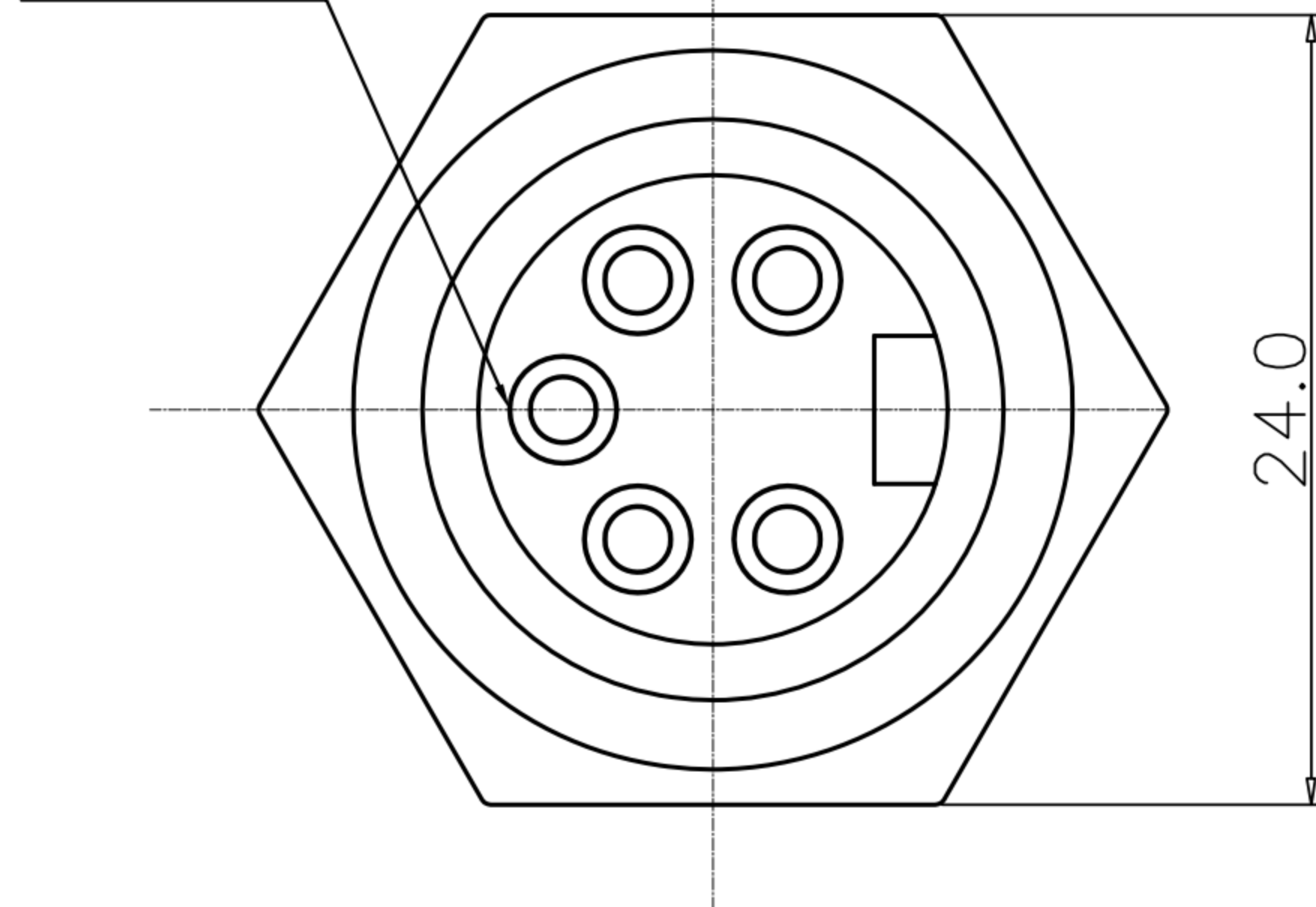


# CUSTOMER DRAWING

REV.	DESCRIPTION	APPROVED BY	DATE	ECN NO.
A	RELEASE	Fido Weng	03/12/10*	
B				
C				

LONG PIN



RECOMMEND PANEL CUT-OUT

- MATERIAL :
  - 1-1. HOUSING : PBT UL94V-0 ; COLOR : YELLOW
  - 1-2. CONTACT : BRASS
  - 1-3. NUT : BRASS
  - 1-4. O-RING : NBR ; COLOR : BLACK
  - 1-5. SHELL : BRASS.
- FINISH :
  - 2-1. CONTACT : 30 MICRO INCHES MIN. GOLD PLATED
  - 2-2. NUT : NICKEL PLATED
  - 2-3. SHELL : NICKEL PLATED
- ELECTRICAL SPECIFICATION :
  - 3-1. Rated current : 20A
  - 3-2. Rated voltage : 250V
  - 3-3. Water proof: IP68
- Environmental :
  - 4-1. Operation Temperature : -40℃~105℃

DRAWN	Ku Chou	APP'D	Emily Suen	UNIT	mm	TOLERANCE		广东科斯达电子科技有限公司 GUANG DONG KE SI DA ELECTRONIC TECHNOLOGY CO., LTD.	TITLE	防水罩 7/8" 5PIN (M) 後鎖Pg11焊線式			SHEET	1 VERSION A
CHK'D	Emily Suen			SCALE	1:1	.x ±0.20 .xx ±0.15 .xxx ±0.10 .xxxx ±0.03 ANGULA ±1°			PART NO.	WP-05M2-18	DWG NO.	QC2812		