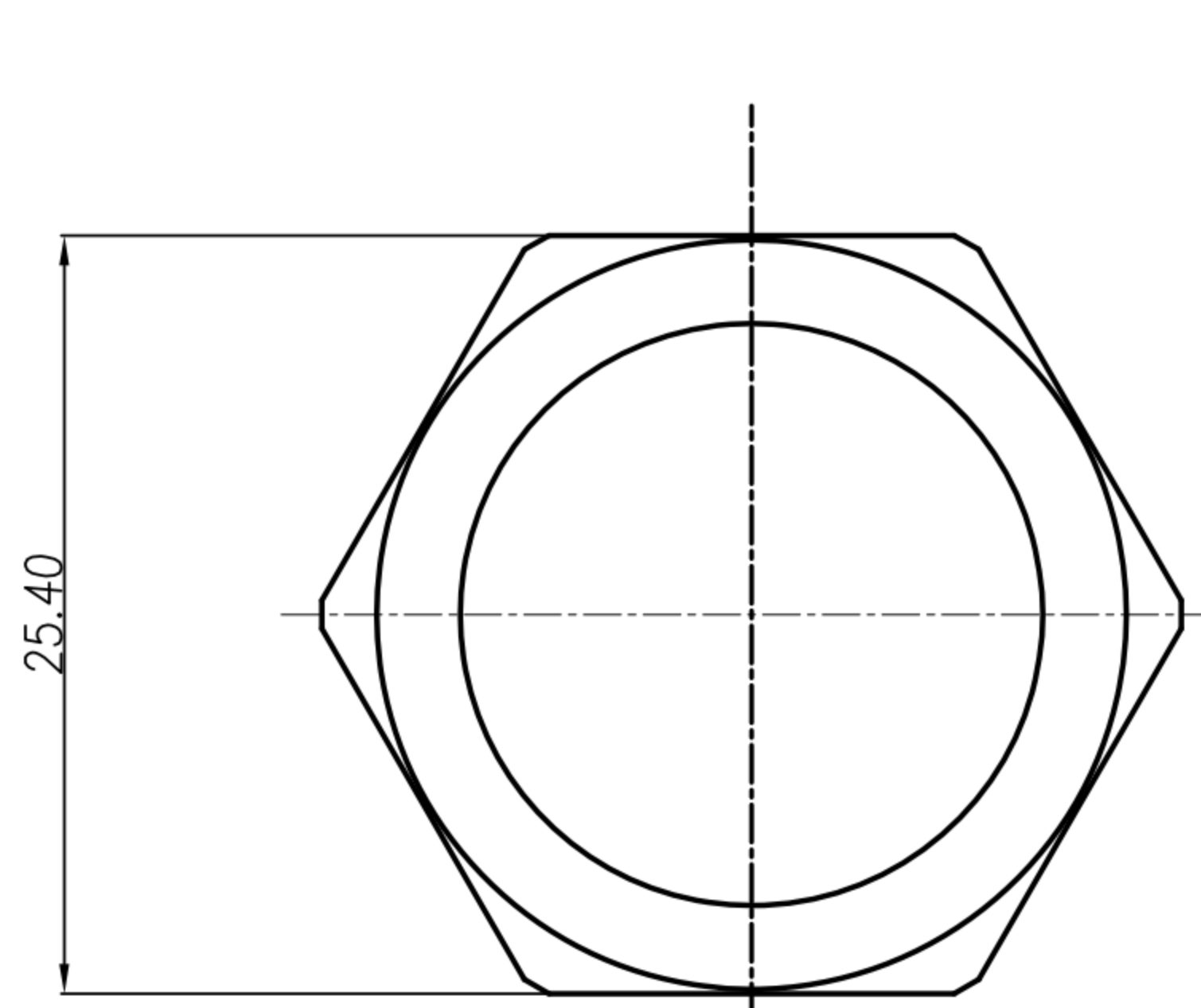
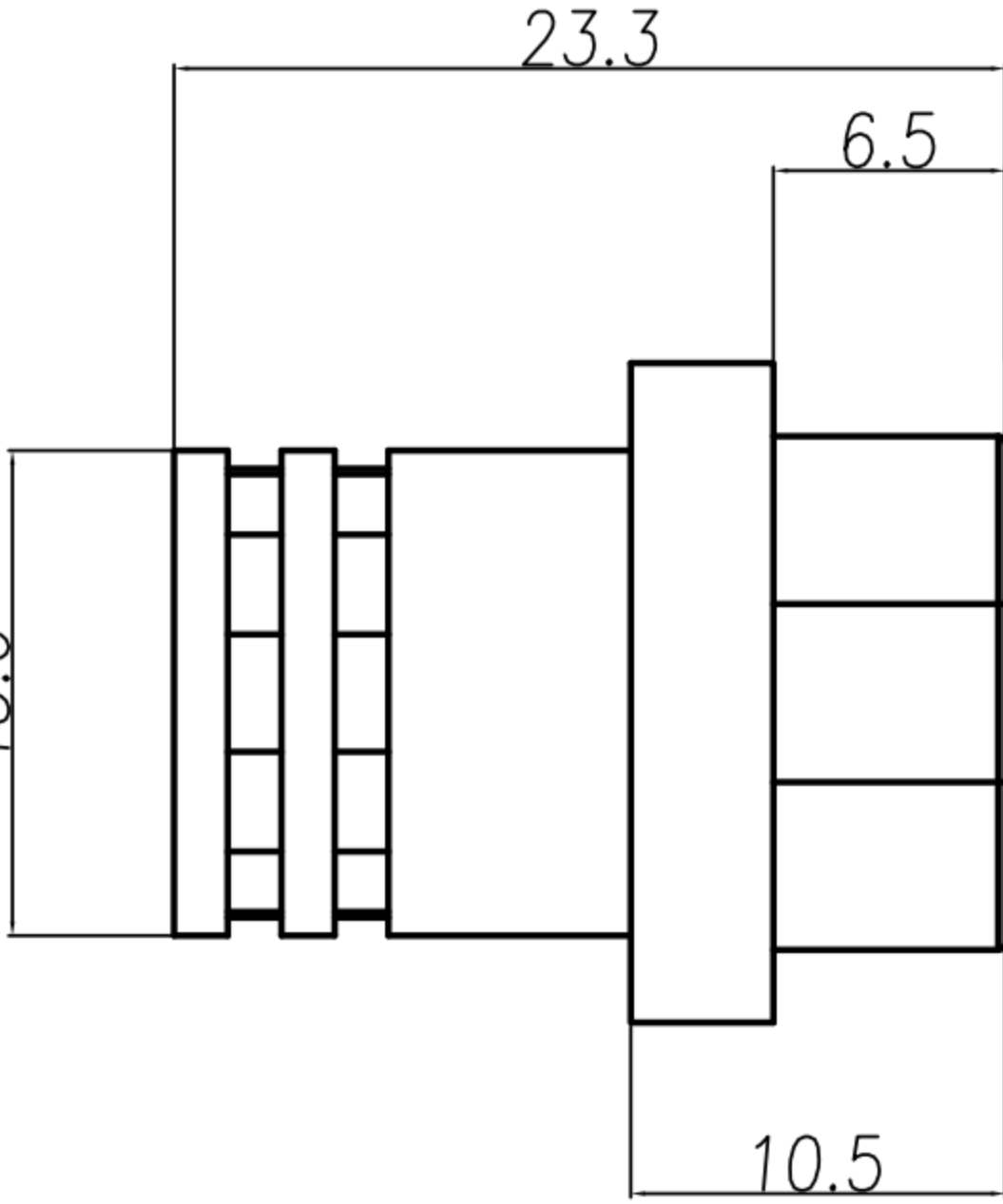
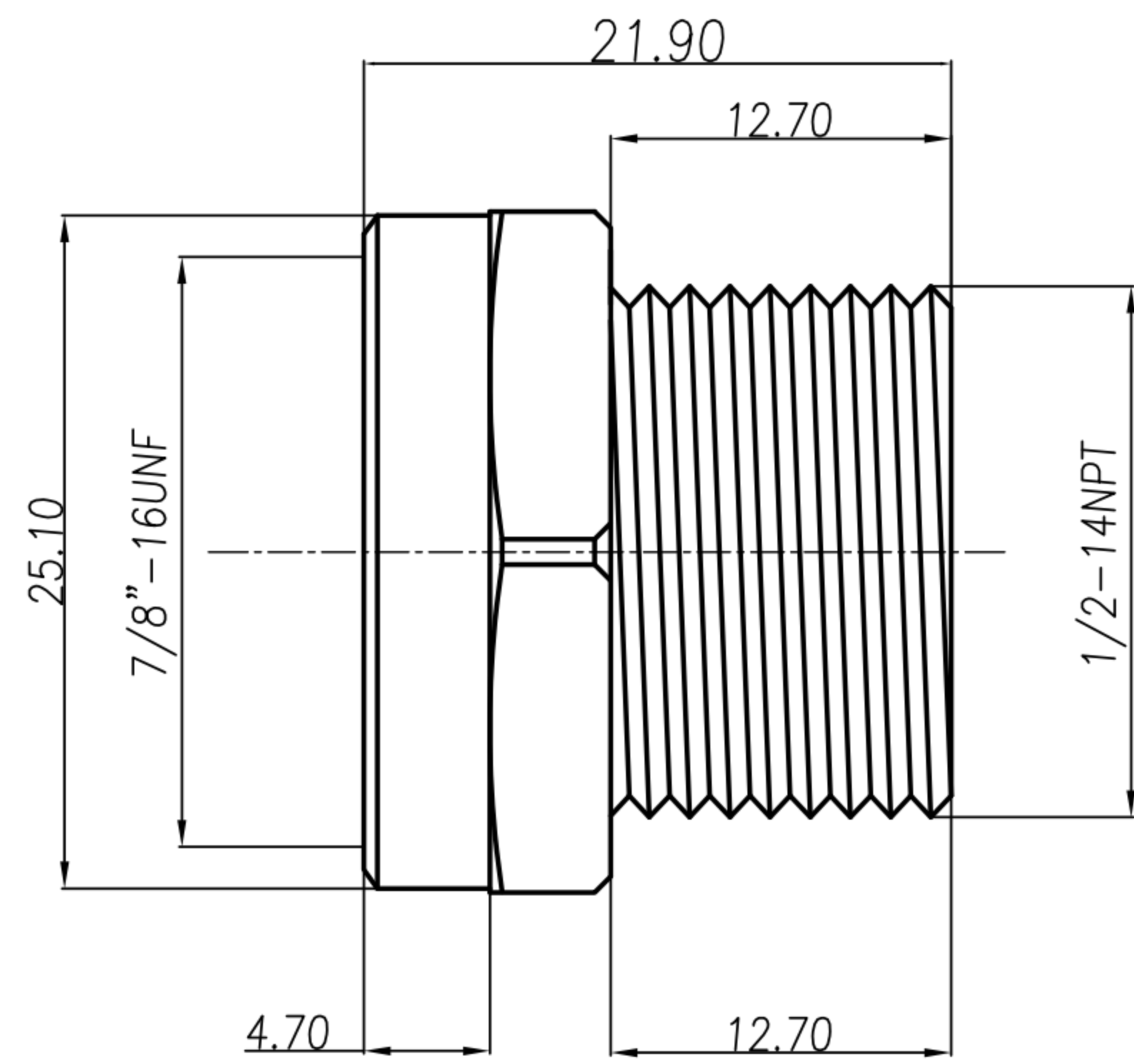


CUSTOMER DRAWING

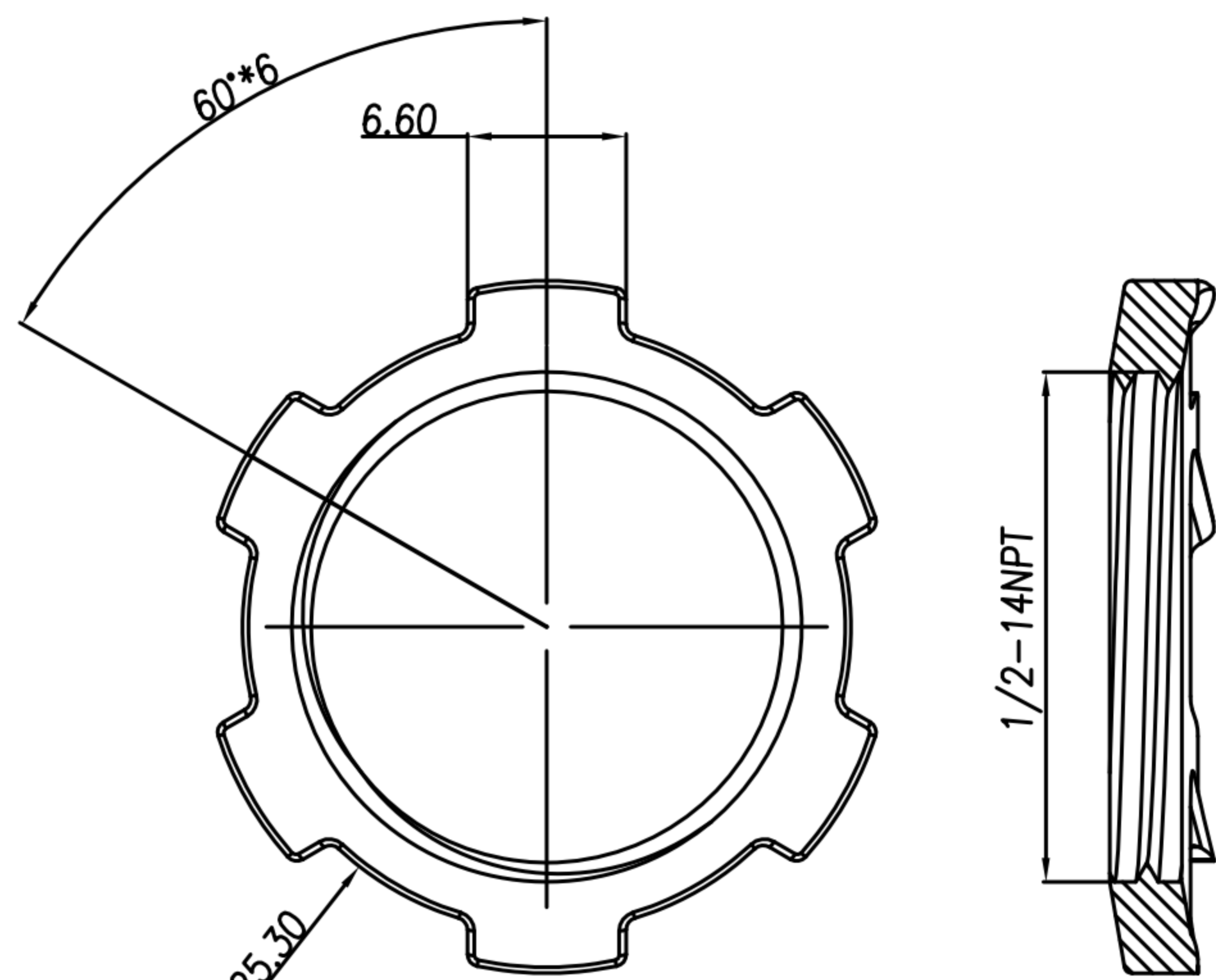
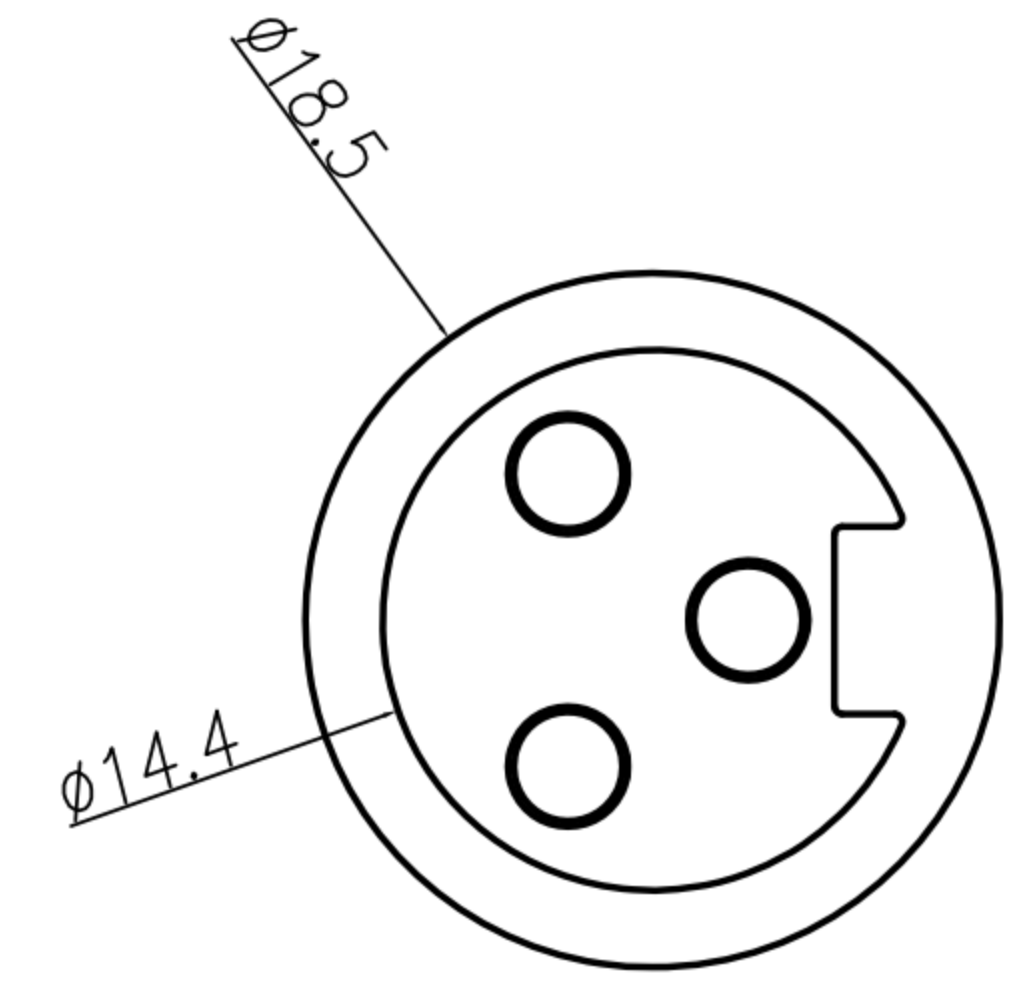
| REV. | DESCRIPTION | APPROVED BY | DATE | ECN NO. |
|------|-------------|-------------|-----------|---------|
| A | RELEASE | Fido Weng | 26/03/14' | |
| B | | | | |
| C | | | | |



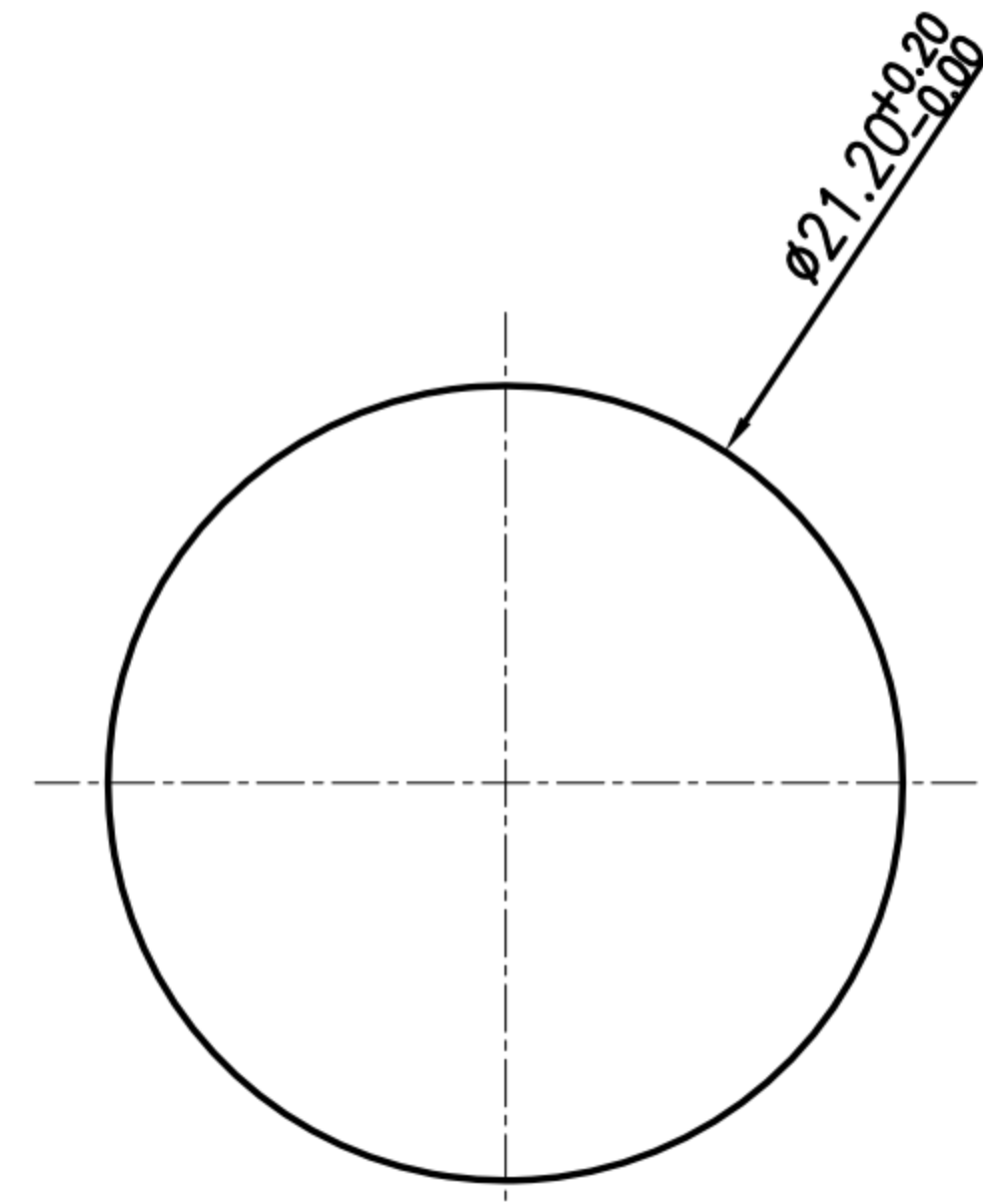
SHELL



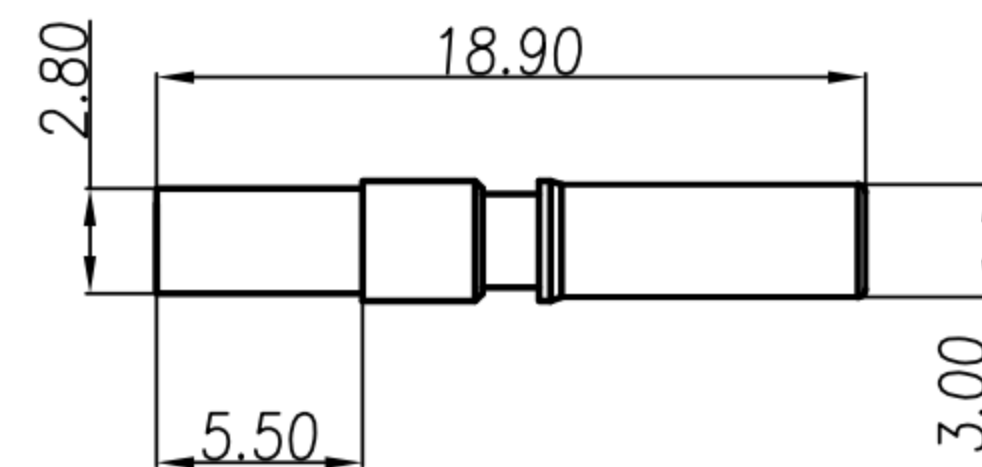
HOUSING



LOCK NUT



PANEL CUT-OUT



CONTACT

- MATERIAL :
 - 1-1. HOUSING : TPU ; COLOR : BLACK
 - 1-2. CONTACT : BRASS
 - 1-3. SHELL : BRASS
 - 1-4. NUT : IRON
- FINISH :
 - 2-1. CONTACT : GOLD PLATED OVER ALL
 - 2-2. NUT : NICKEL PLATED OVER ALL
- ELECTRICAL SPECIFICATION :
 - 3-1. Rated current : 20A
 - 3-2. Rated Voltage : 250V
 - 3-3. Water proof : IP68
- Environmental :
 - 4-1. Operation Temperature : -40 °C~105°C

| | | | | | | | | | | | | | | |
|-------|------------|-------|---------|-------|-----|--|--|--|----------|------------------|---------|--------|-------|-------------------|
| DRAWN | Mark Kao | APP'D | Ku Chou | UNIT | mm | TOLERANCE | | 广东科斯达电子科技有限公司 GUANG DONG KE SI DA ELECTRONIC TECHNOLOGY CO., LTD. | TITLE | 7/8 3P (F) 後鎖夾線式 | | | SHEET | 1 VERSION A |
| CHK'D | Emily Suen | | | SCALE | 1:1 | .x ±0.25 .xx ±0.20 .xxx ±0.10 .xxxx ±0.03 ANGULA ±1° | | | PART NO. | WP-03F2-42-11 | DWG NO. | QC6620 | | |