

CUSTOMER DRAWING

REV.	DESCRIPTION	APPROVED BY	DATE	ECN NO.
A	RELEASE	Ku Chou	16/07/18'	
B				
C				

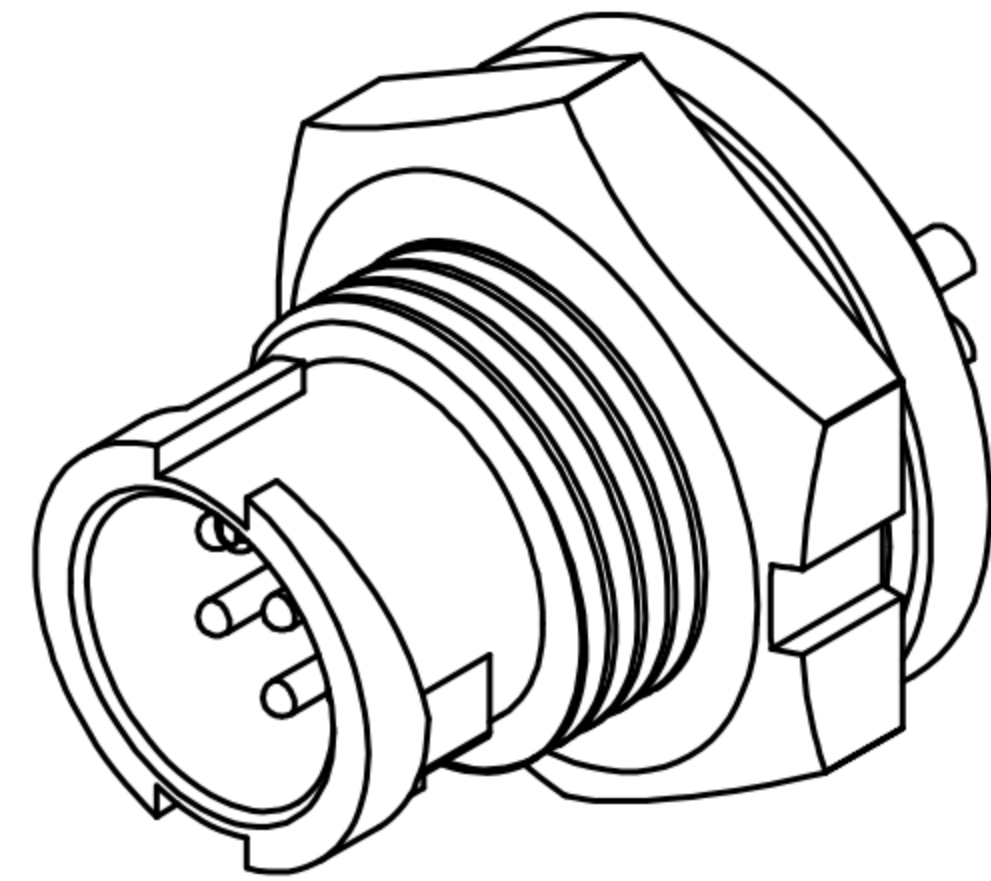
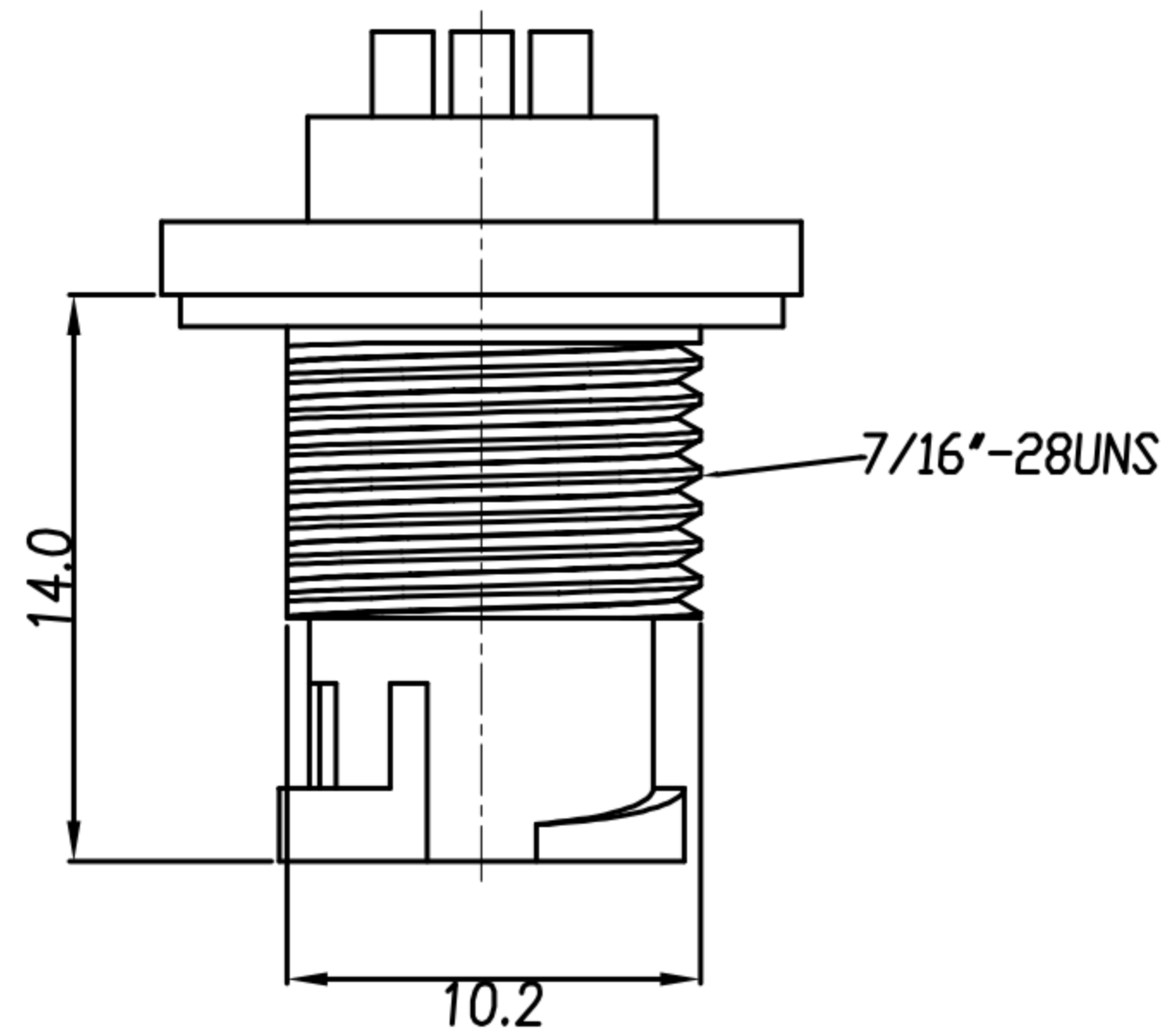
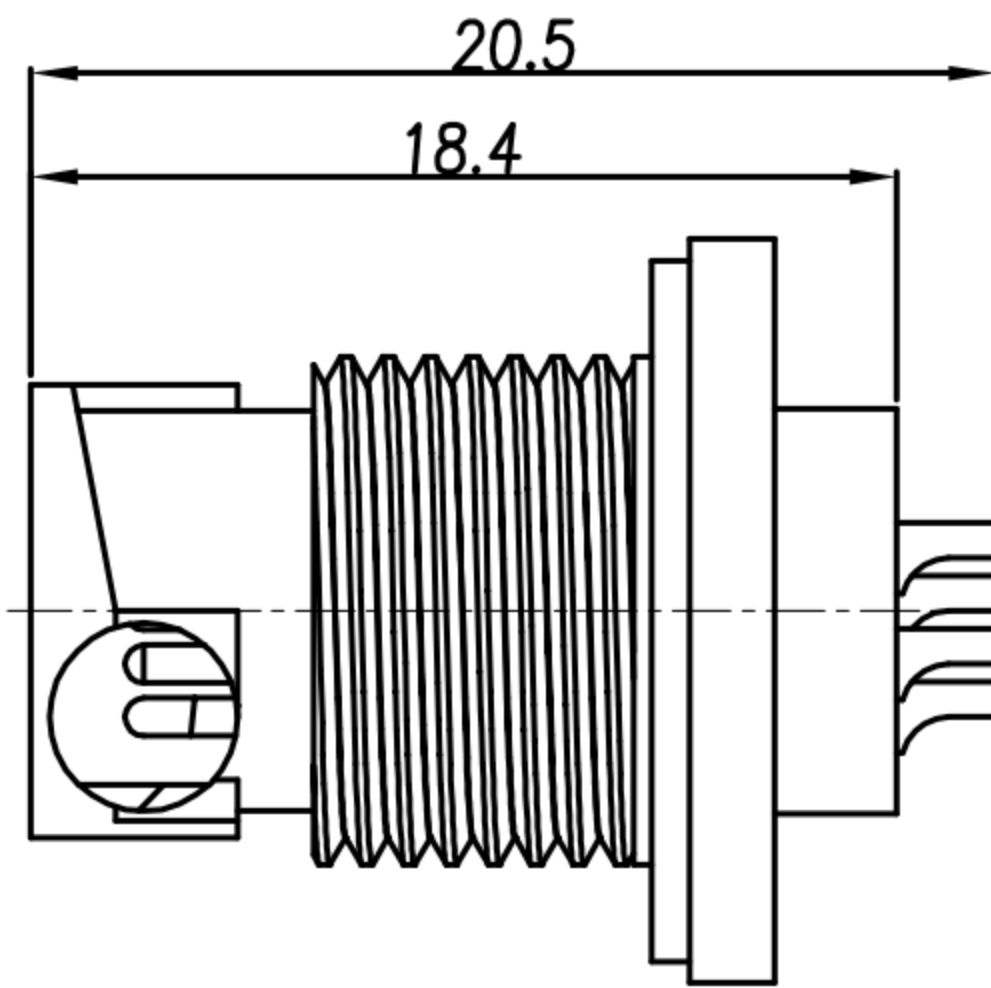
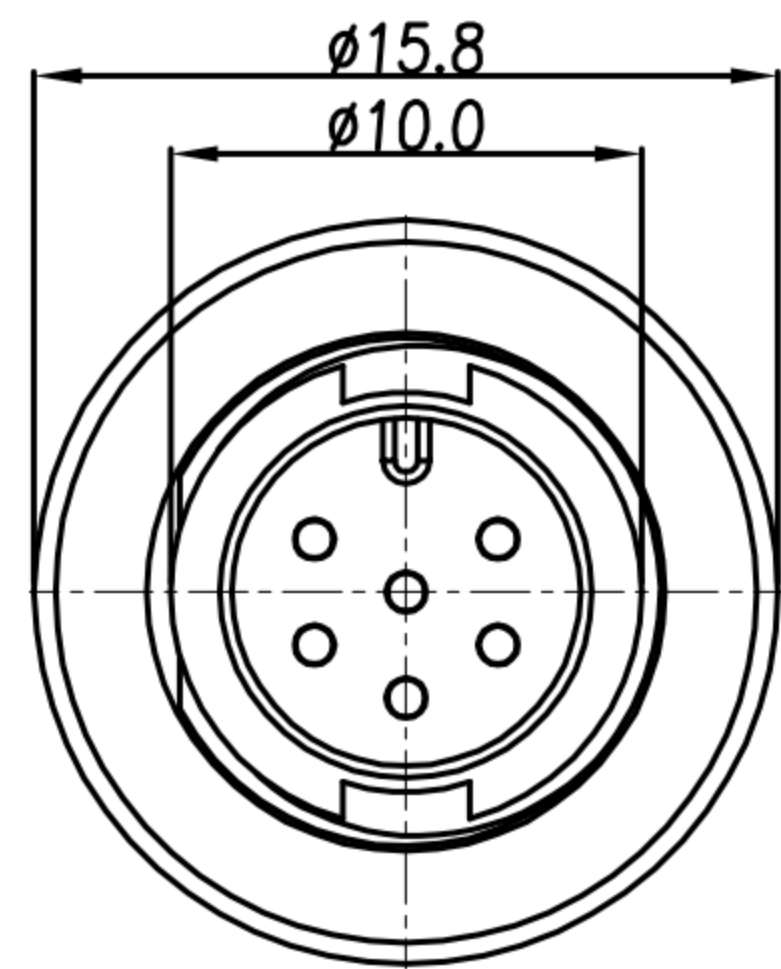


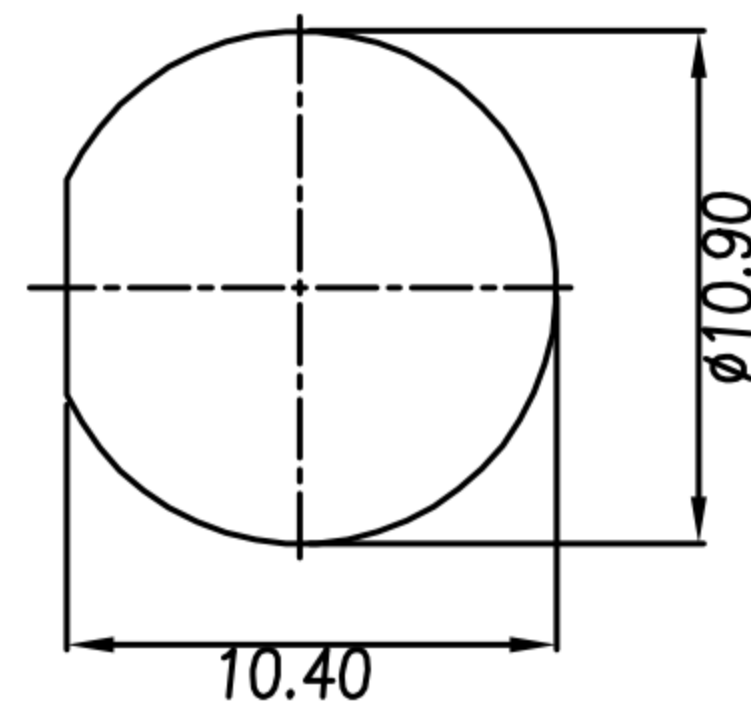
TABLE A

4 PIN	5 PIN	6 PIN
WP-04M1-02-11	WP-05M1-04-11	WP-06M1-01-11

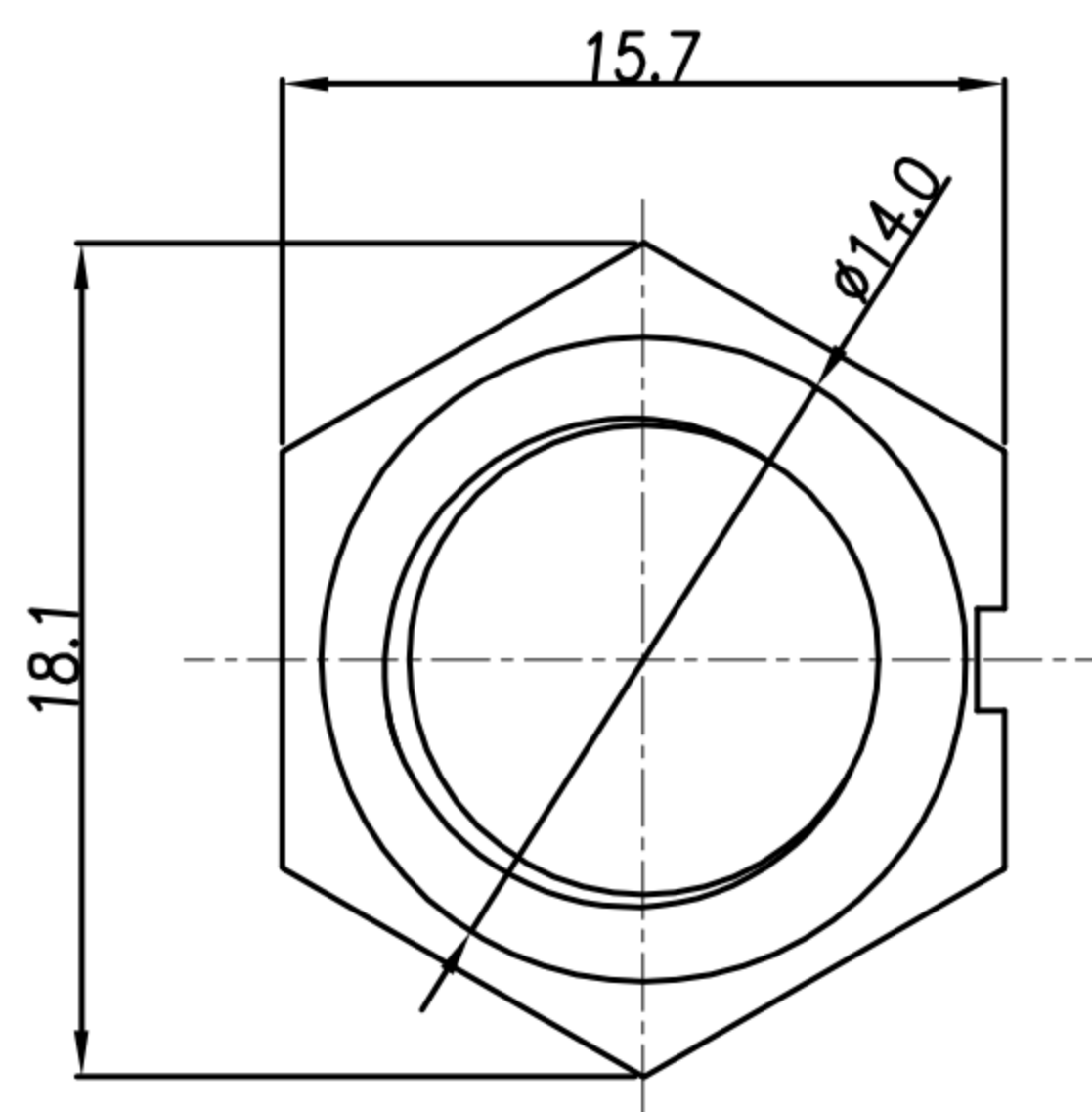
PIN ASSIGMENTS  
FRONT VIEW



- MATERIAL :
  - HOUSING : PA66
  - CONTACT : BRASS
  - GASKET : SILICONE
  - HEX NUT : PA66
- FINISH :
  - CONTACT : GOLD FLASH PLATED.
- ELECTRICAL SPECIFICATION :
  - Rated current : 2A
  - Rated voltage : 250V
  - Water proof : IP67
- Environmental :
  - Operation Temperature : -40°C~105°C



RECOMMENDED PANEL CUT-OUT



HEX NUT



DRAWN	Emily Suen	APP'D	Ku Chou	UNIT	mm	TOLERANCE		广东科斯达电子科技有限公司 GUANG DONG KE SI DA ELECTRONIC TECHNOLOGY CO., LTD.	TITLE	WP A SIZE M CONN M PIN FRONT FASTENED (LOCK BAYONET) SOLDER TYPE			SHEET	A
CHK'D	Ku Chou			SCALE	1:1	.x ±0.20 .xx ±0.10 .xxx ±0.05 .xxxx ±0.03 ANGULA ±1°			PART NO.	SEE TABLE A	DWG NO.	QC8923	VERSION	