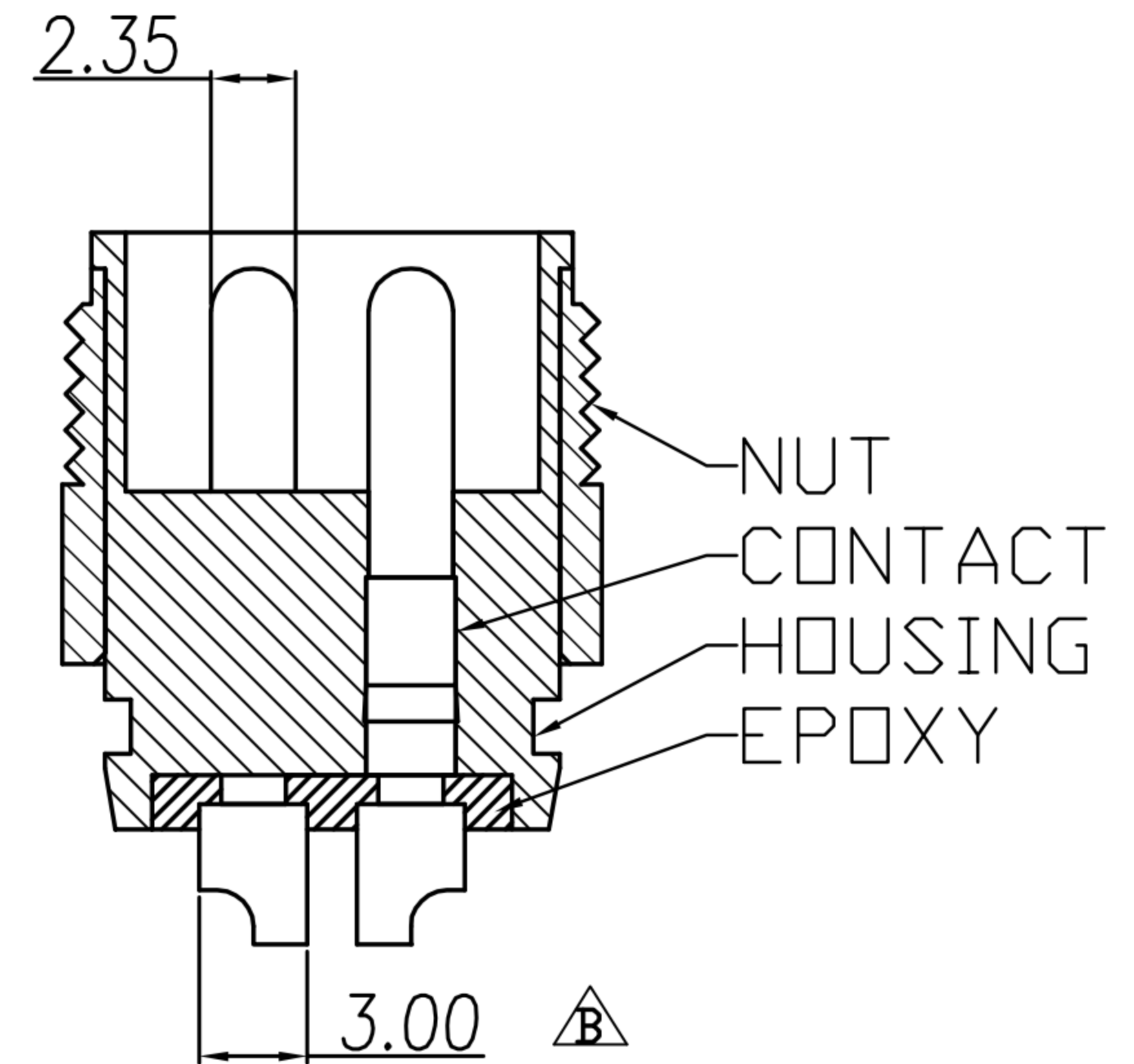
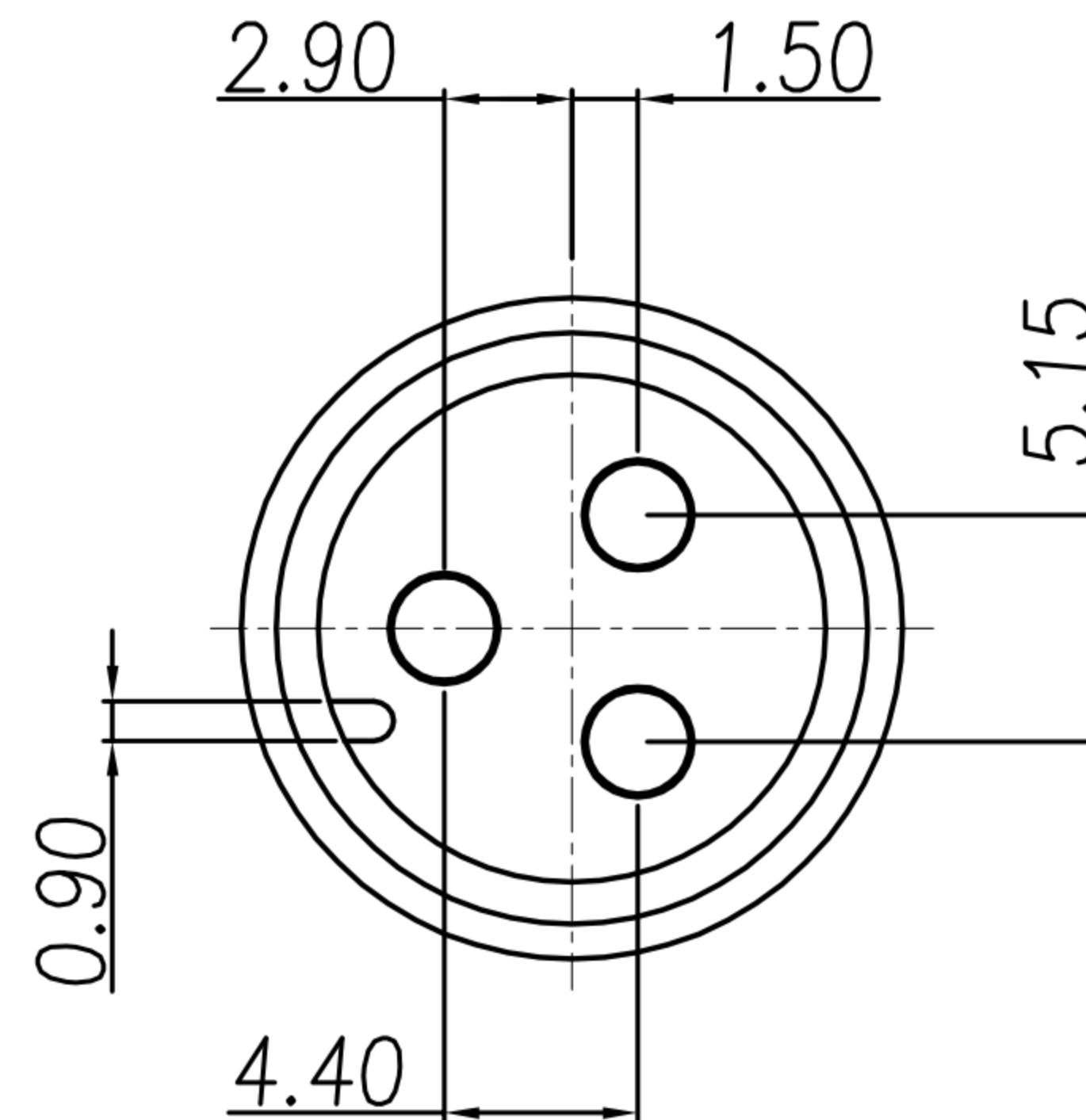
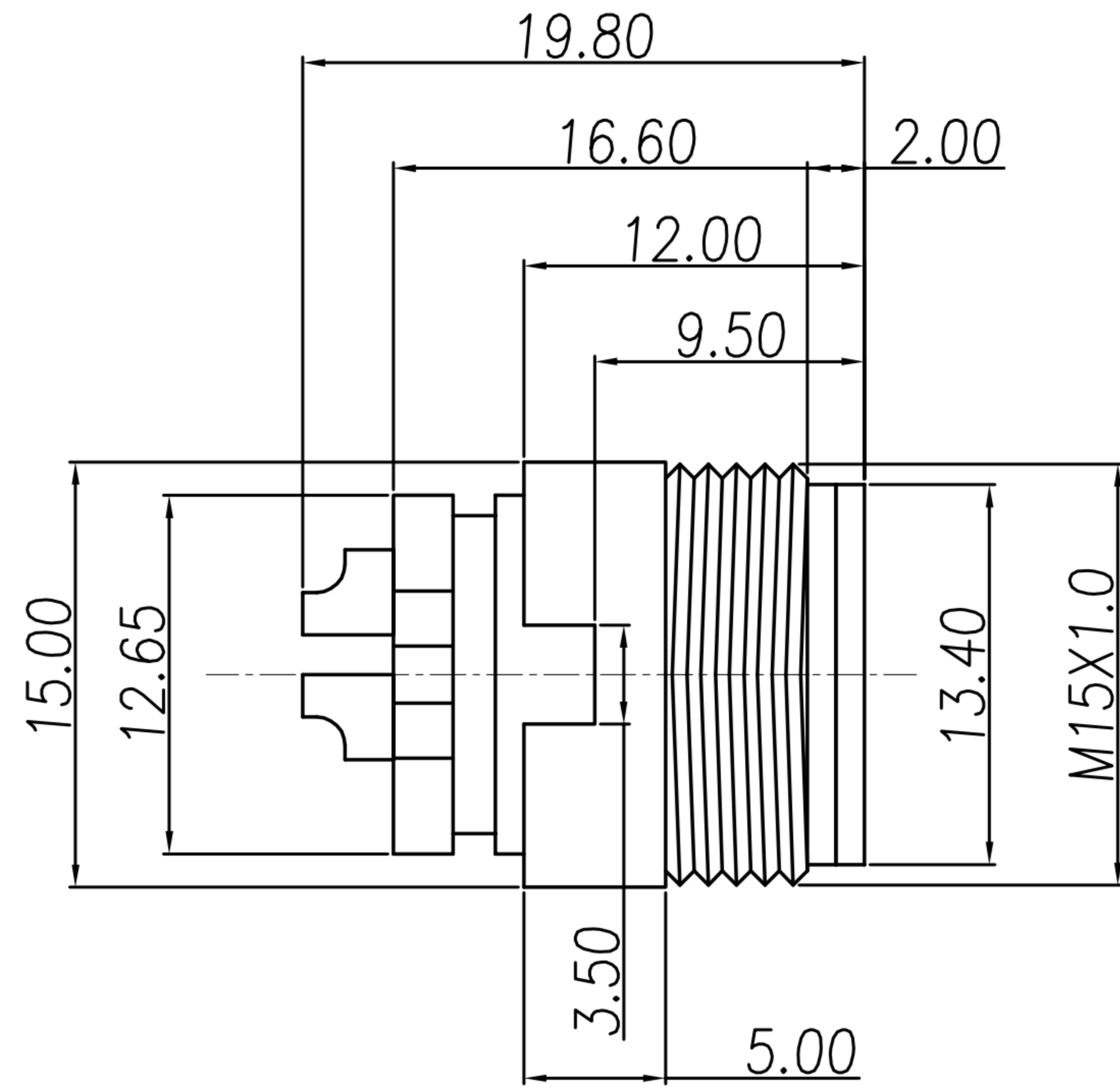


CUSTOMER DRAWING

REV.	DESCRIPTION	APPROVED BY	DATE	ECN NO.
A	RELEASE	Fido Weng	17/02/14'	
B	變更端子規格尺寸長度	Fido Weng	11/03/14''	ECN14007
C	ADD PART No.	Fido Weng	05/08/19''	



- MATERIAL :
 - 1-1. HOUSING : PBT UL94V-0 ; COLOR : BLACK
 - 1-2. CONTACT : BRASS
 - 1-3. NUT : BRASS
- FINISH :
 - 2-1. CONTACT : GOLD FLASH MICRO INCHES MIN.
UNDER PLATE : NICKEL
 - 2-2. NUT : NICKEL PLATED
- ELECTRICAL SPECIFICATION :
 - 3-1. Rated current : 20A
 - 3-2. Rated Voltage : 250V
 - 3-3. Water proof : IPX7
- Environmental :
 - 4-1. Operation Temperature : -20℃~85℃

TABLE A

3 PIN	2 PIN
WP-03M2-19	WP-02M2-63-11

DRAWN	Ku Chou	APP'D	Fido Weng	UNIT	mm	TOLERANCE		广东科斯达电子科技有限公司 GUANG DONG KE SI DA ELECTRONIC TECHNOLOGY CO., LTD.	TITLE	M15 (M) 線端焊線式			SHEET	
CHK'D	Emily Suen			SCALE	1:1	.x ±0.20 .xx ±0.10 .xxx ±0.05 .xxxx ±0.03 ANGULA ±1°			PART NO.	SEE TABLE A	DWG NO.	QC5253	VERSION	