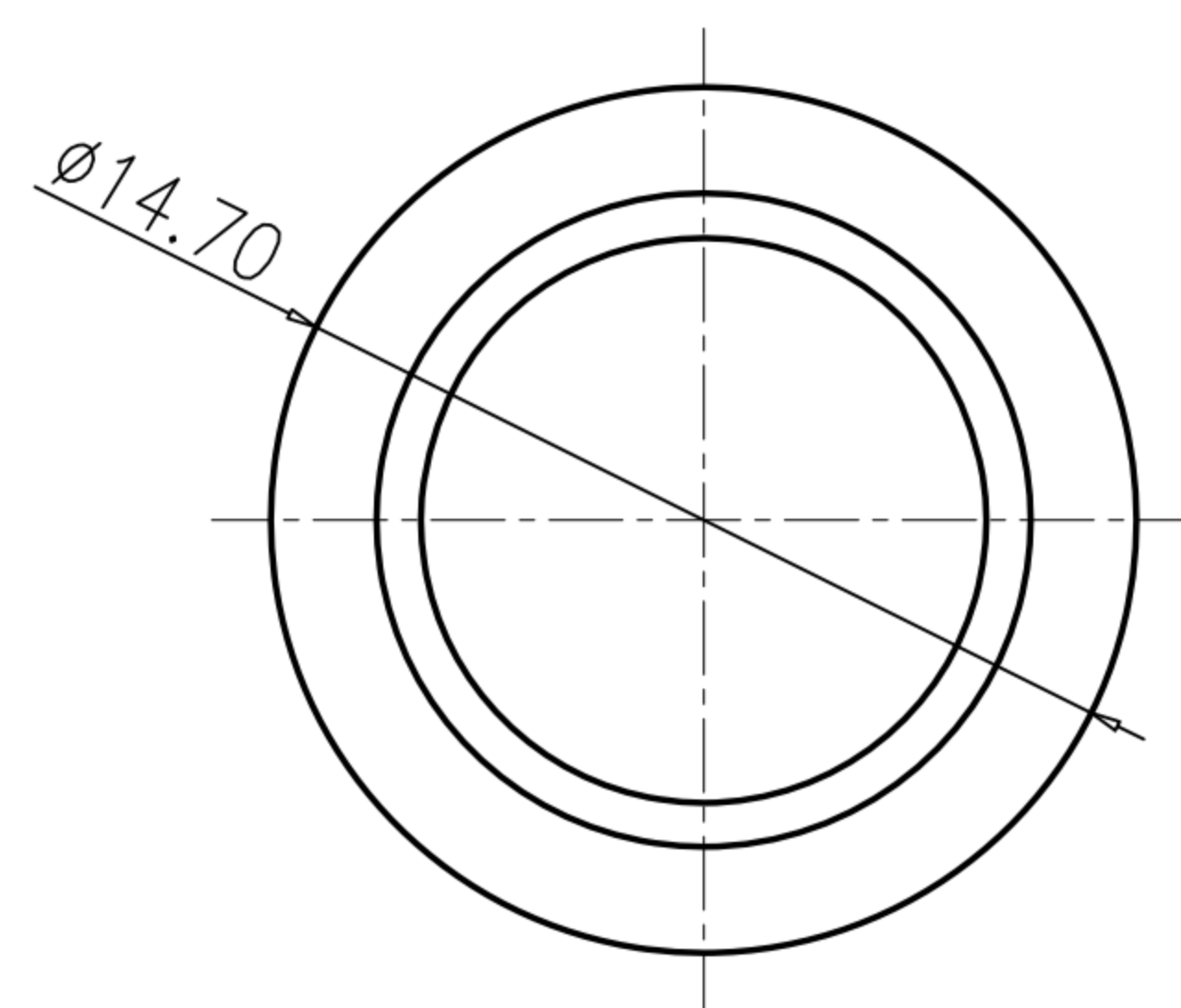
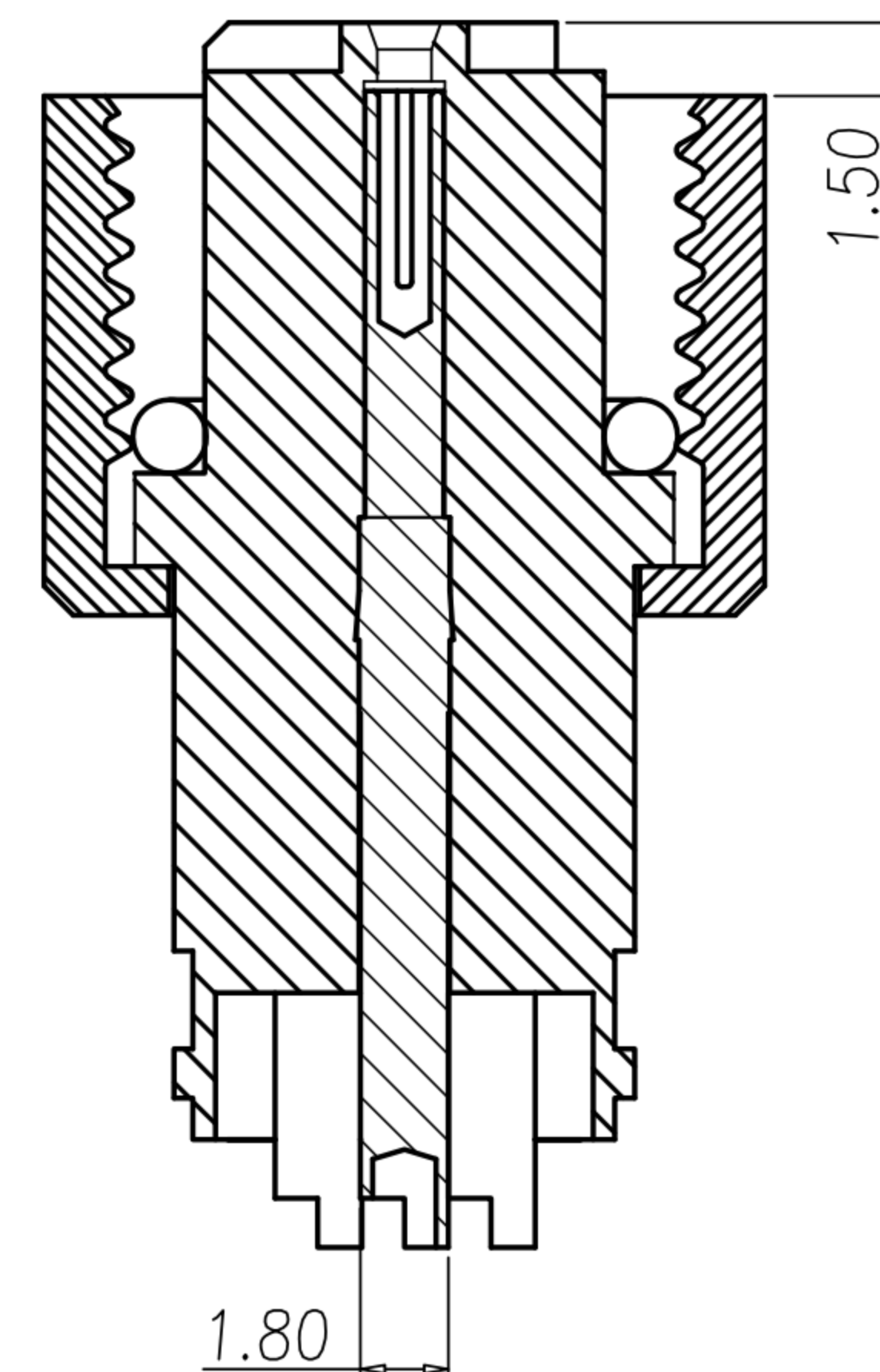
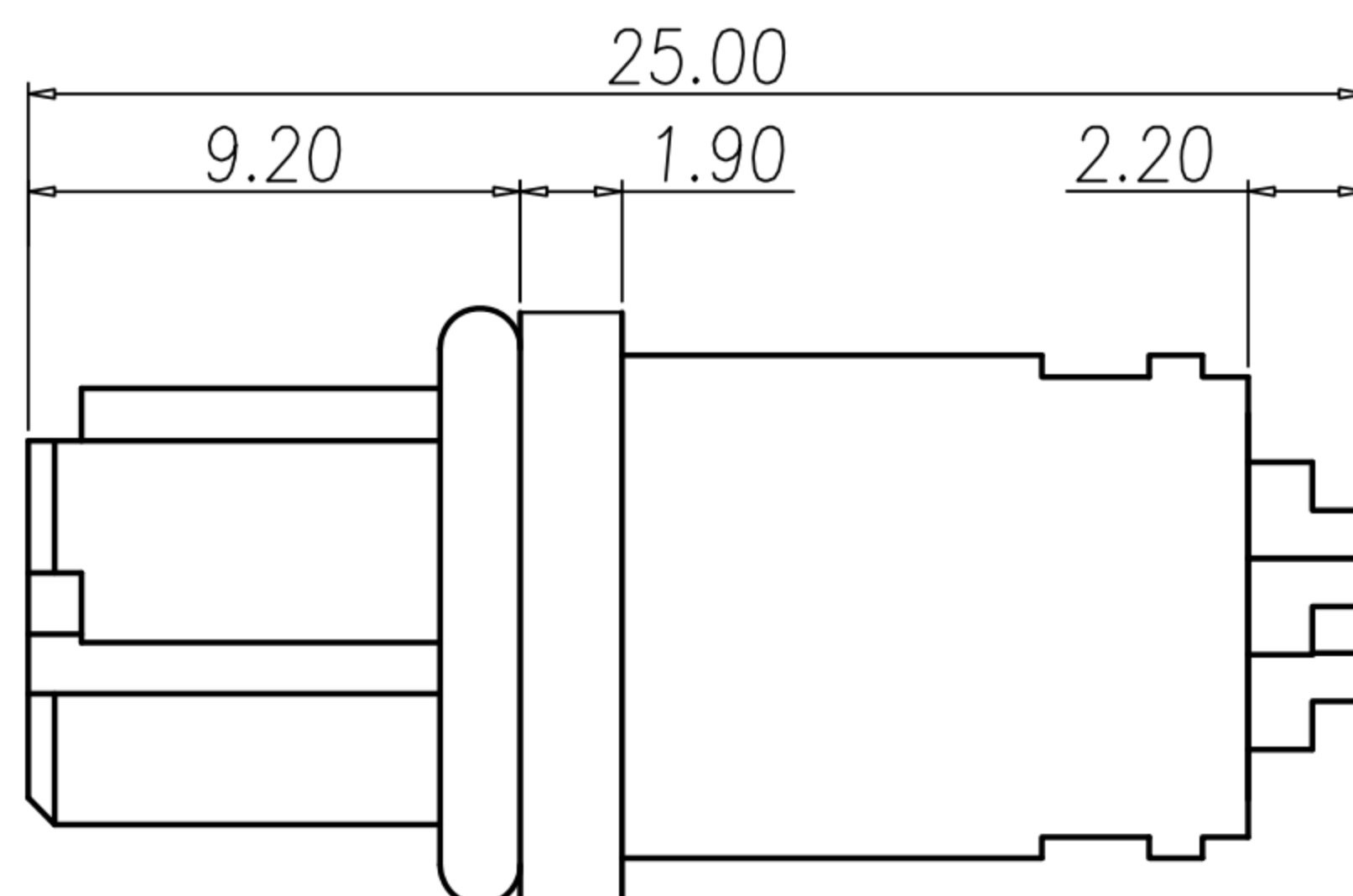
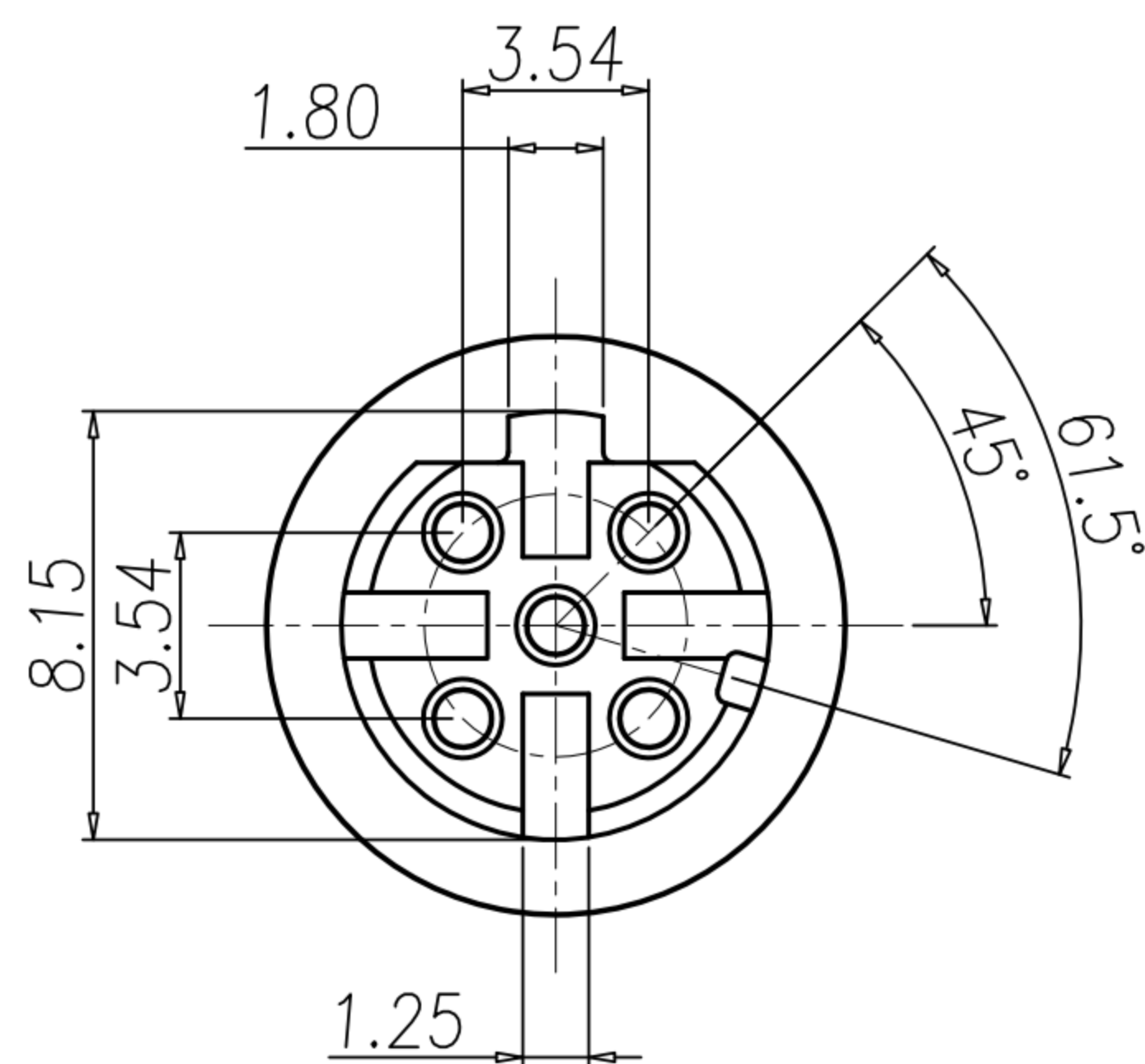
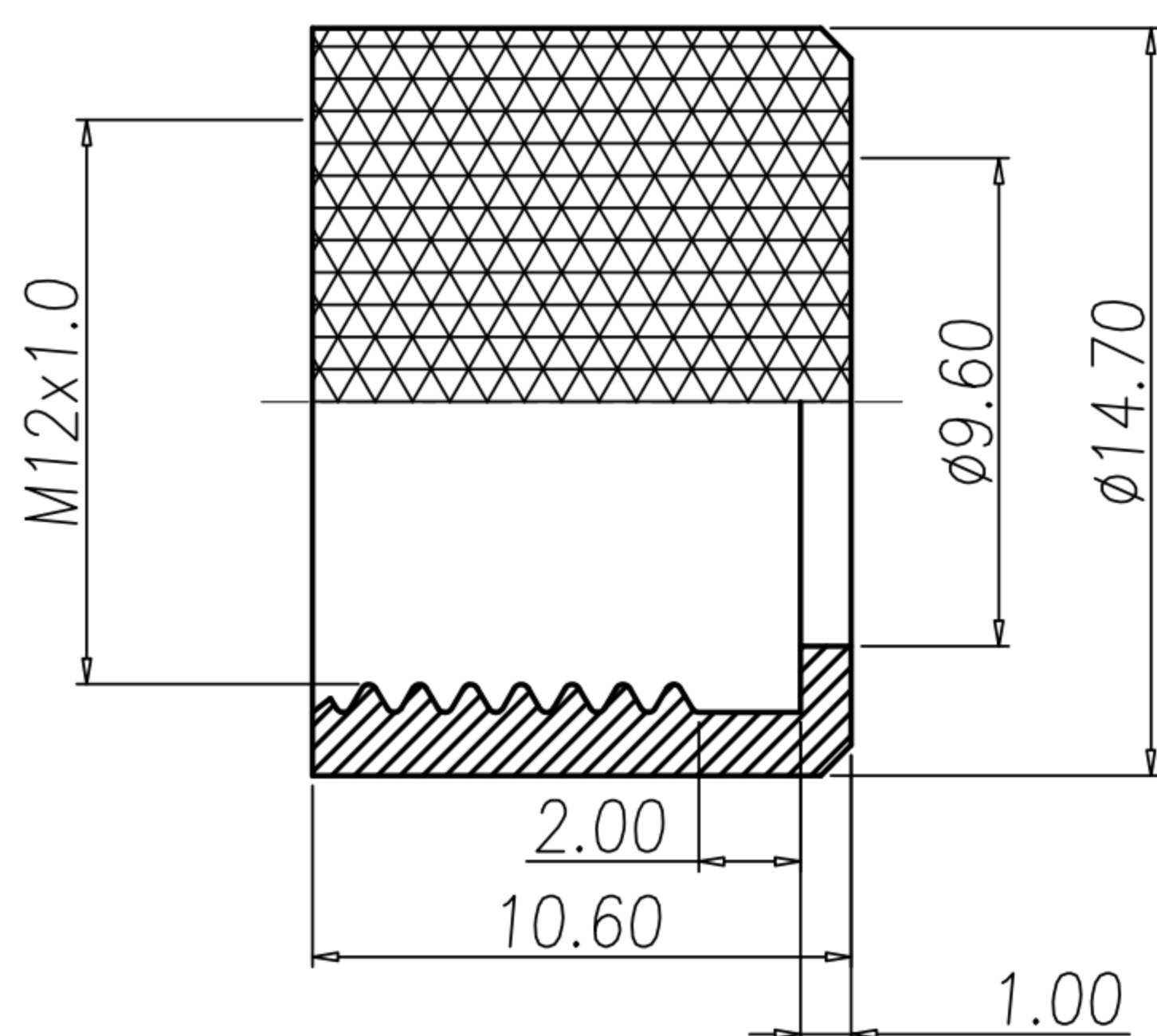


CUSTOMER DRAWING

REV.	DESCRIPTION	APPROVED BY	DATE	ECN NO.
△A	RELEASE	Fido Weng	09/10/09'	
△B	ADD TABLE A	Fido Weng	18/11/13'	
△C				



NUT



△B TABLE A

	WP-04F2-31 WP-04F2-152-11
	WP-05F2-84-11

WP-04F2-152-11	GOLD FLASH
WP-04F2-31	GOLD 10u"
WP-05F2-84-11	GOLD 10u"
PART NO	FINISH

- MATERIAL :
 - 1-1. HOUSING : TPU ; COLOR : BLACK
 - 1-2. CONTACT : BRASS
 - 1-3. NUT : BRASS
 - 1-4. O-RING : EPDM
- FINISH :
 - 2-1. CONTACT : SEE TABLE A
 - 2-2. NUT : NICKEL PLATED
- ELECTRICAL SPECIFICATION :
 - 3-1. Rated current : 4A
 - 3-2. Rated voltage : 4PIN 250V ; 5PIN 60V
 - 3-3. Water proof : IPX7
- Environmental :
 - 4-1. Operation Temperature : -40℃~85℃

DRAWN	Ku Chou	APPEND	Fido Weng	UNIT	mm	TOLERANCE		TITLE	防水頭 (F) D型線端			SHEET	
CHKED	Emily Suen			SCALE	1:1	.x ±0.20 .xx ±0.10 .xxx ±0.05 .xxxx ±0.03 ANGULA ±1°		广东科斯达电子科技有限公司 GUANG DONG KE SI DA ELECTRONIC TECHNOLOGY CO., LTD.	PART NO.	SEE TABLE A	DWG NO.	QC4443	VERSION B