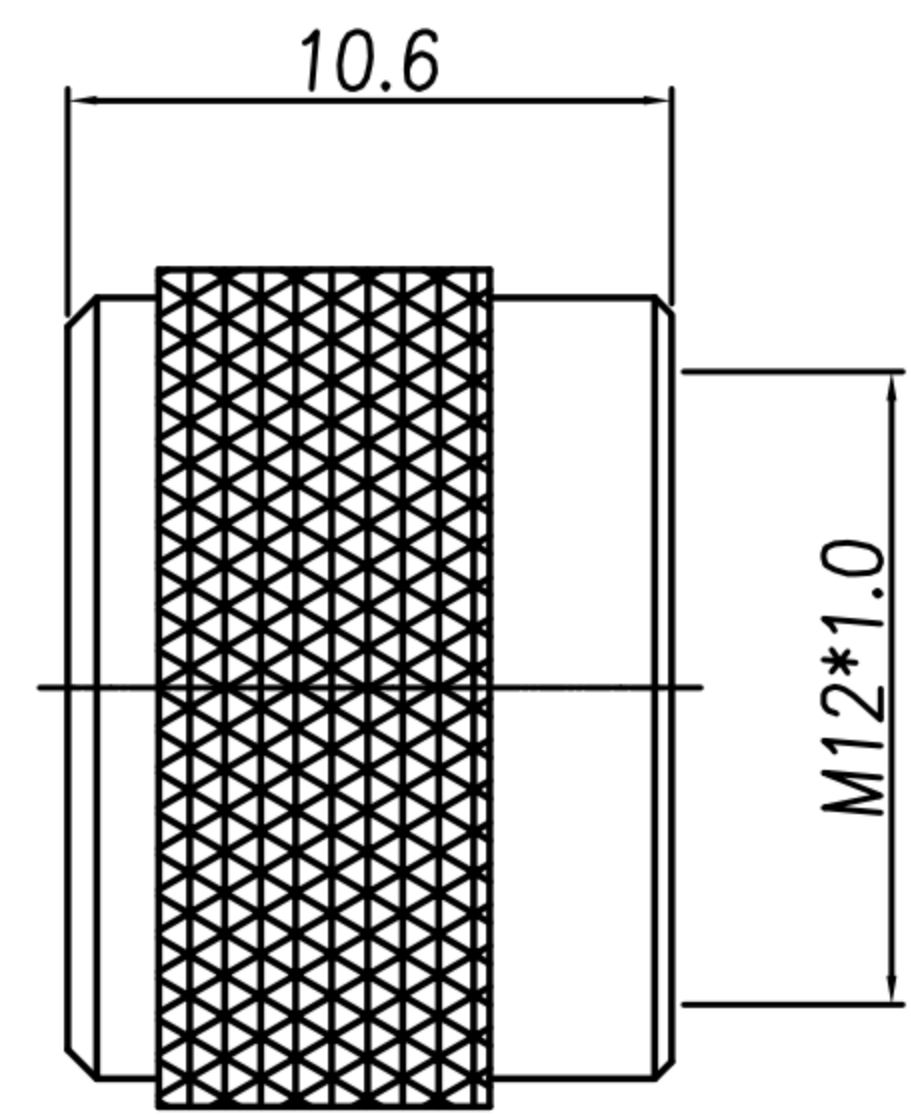
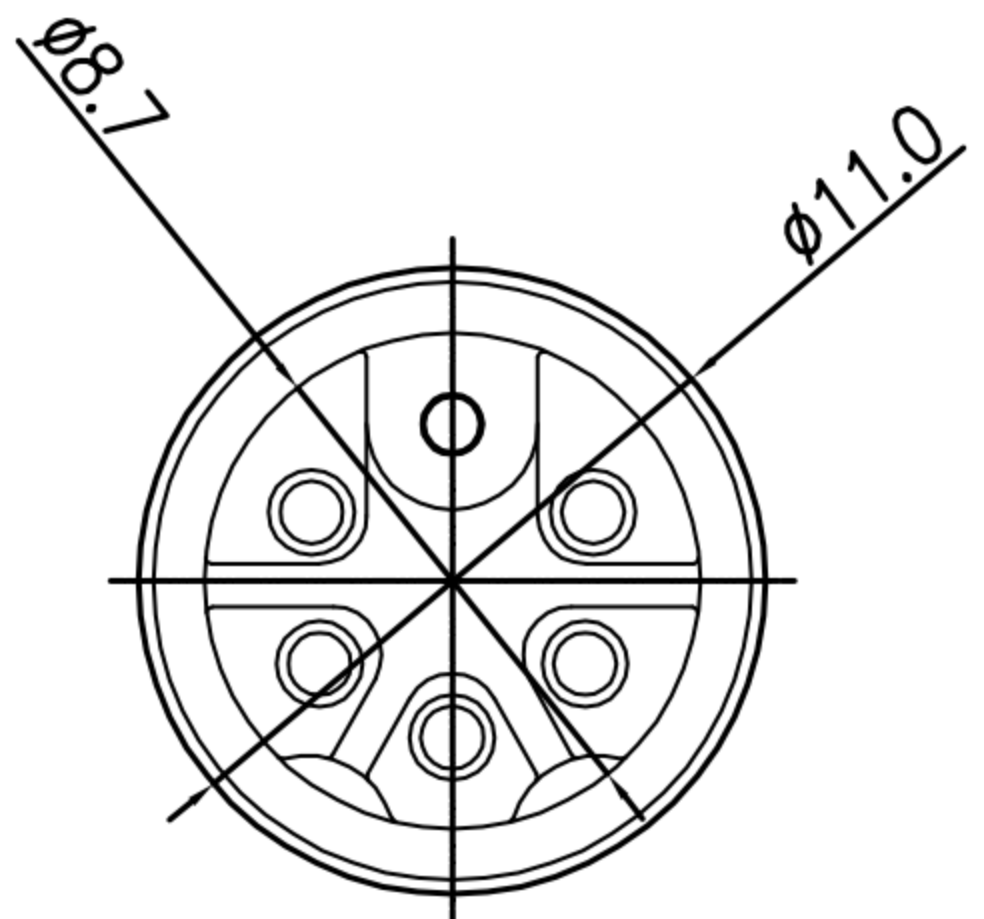
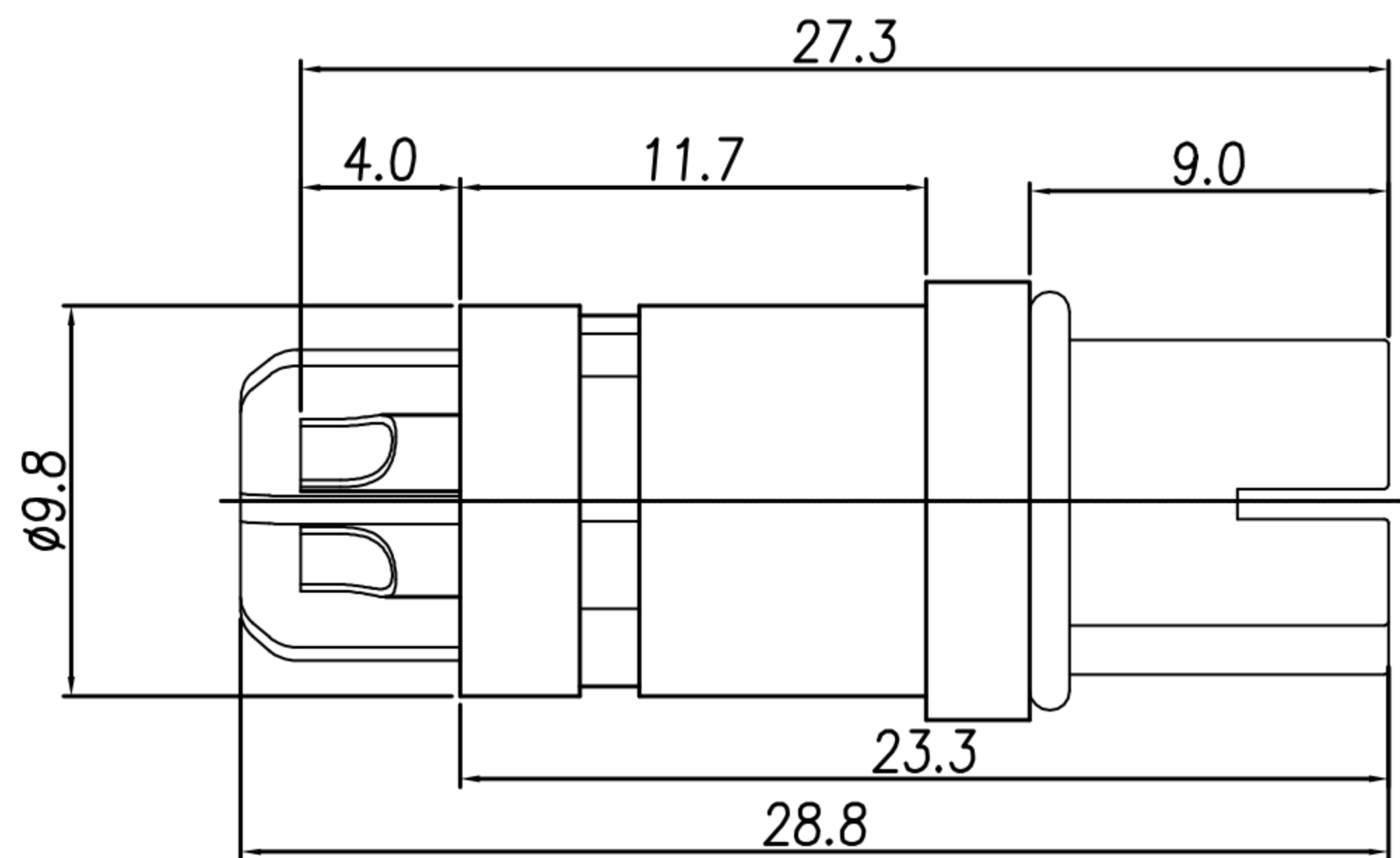


CUSTOMER DRAWING

REV.	DESCRIPTION	APPROVED BY	DATE	ECN NO.
△A	PRELIMINARY RELEASE	Ku Chou	10/05/23'	
△B				
△C				



NUT

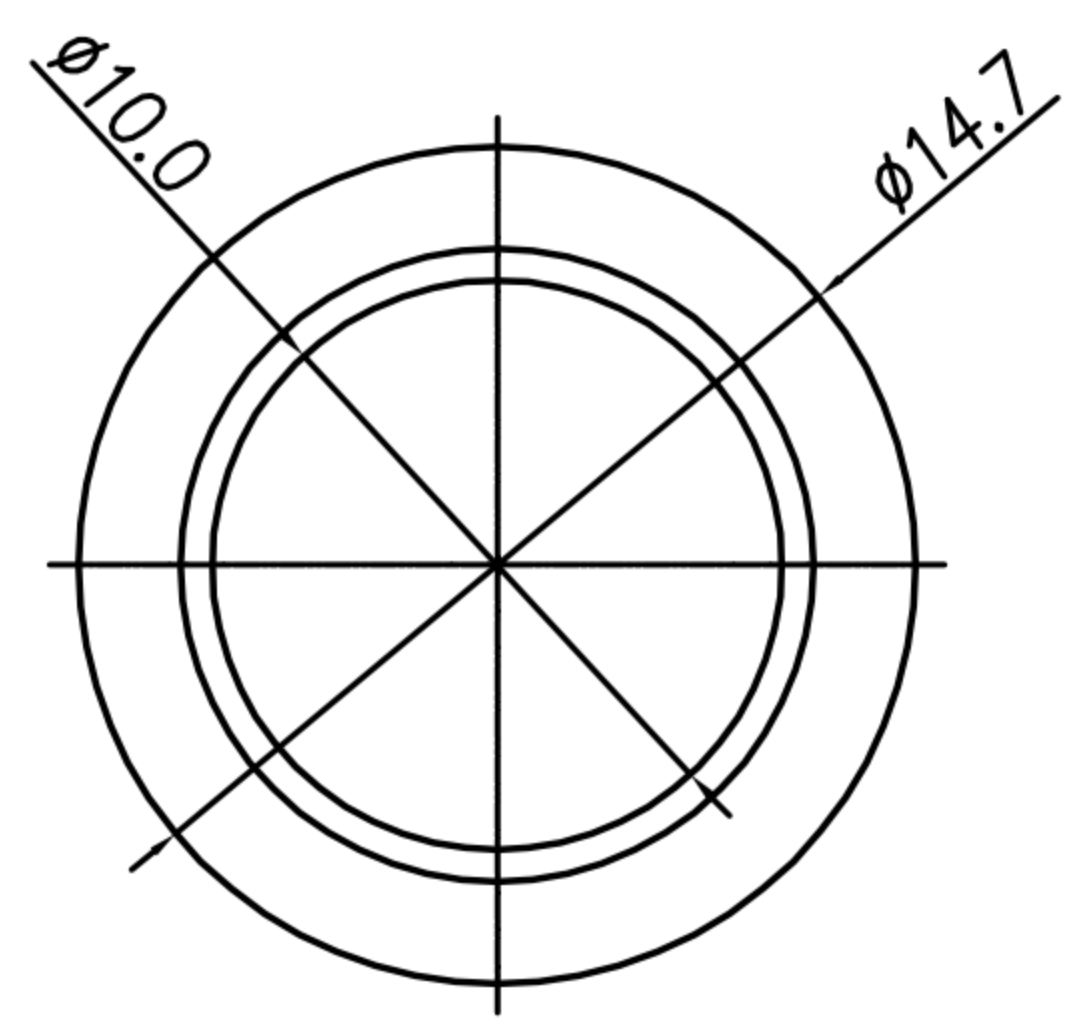


Table A

3 Way(2+PE)	4 Way(3+PE)
5 Way(4+PE)	6 Way(5+PE)
WP-06F2-99-11	

- MATERIAL :
 - 1-1. HOUSING : PA66 UL94V-0 ; COLOR : BLACK
 - 1-2. CONTACT : BRASS
 - 1-3. NUT : BRASS
 - 1-4. O-RING : EPDM
- FINISH :
 - 2-1. CONTACT : 10u" MIN. GOLD PLATED
 - 2-2. NUT : NICKEL PLATED
- ELECTRICAL SPECIFICATION :
 - 3-1. RATED CURRENT: 8A
 - 3-2. RATED VOLTAGE : 630V
 - 3-3. WATER PROOF : IP67
- ENVIRONMENTAL :
 - 4-1. OPERATION TEMPERATURE : -40℃~85℃

DRAWN	Emily Suen	APP'D	Ku Chou	UNIT	mm	TOLERANCE		TITLE	M12 M-CODING (F) MOLDED WITH CABLE			SHEET
CHK'D	Ku Chou			SCALE	1:1	.x ±0.20 .xx ±0.10 .xxx ±0.05 .xxxx ±0.03 ANGULAR ±1°		PART NO.	SEE TABLE A	DWG NO.	QC10770	VERSION

广东科斯达电子科技有限公司
GUANG DONG KE SI DA ELECTRONIC TECHNOLOGY CO., LTD.