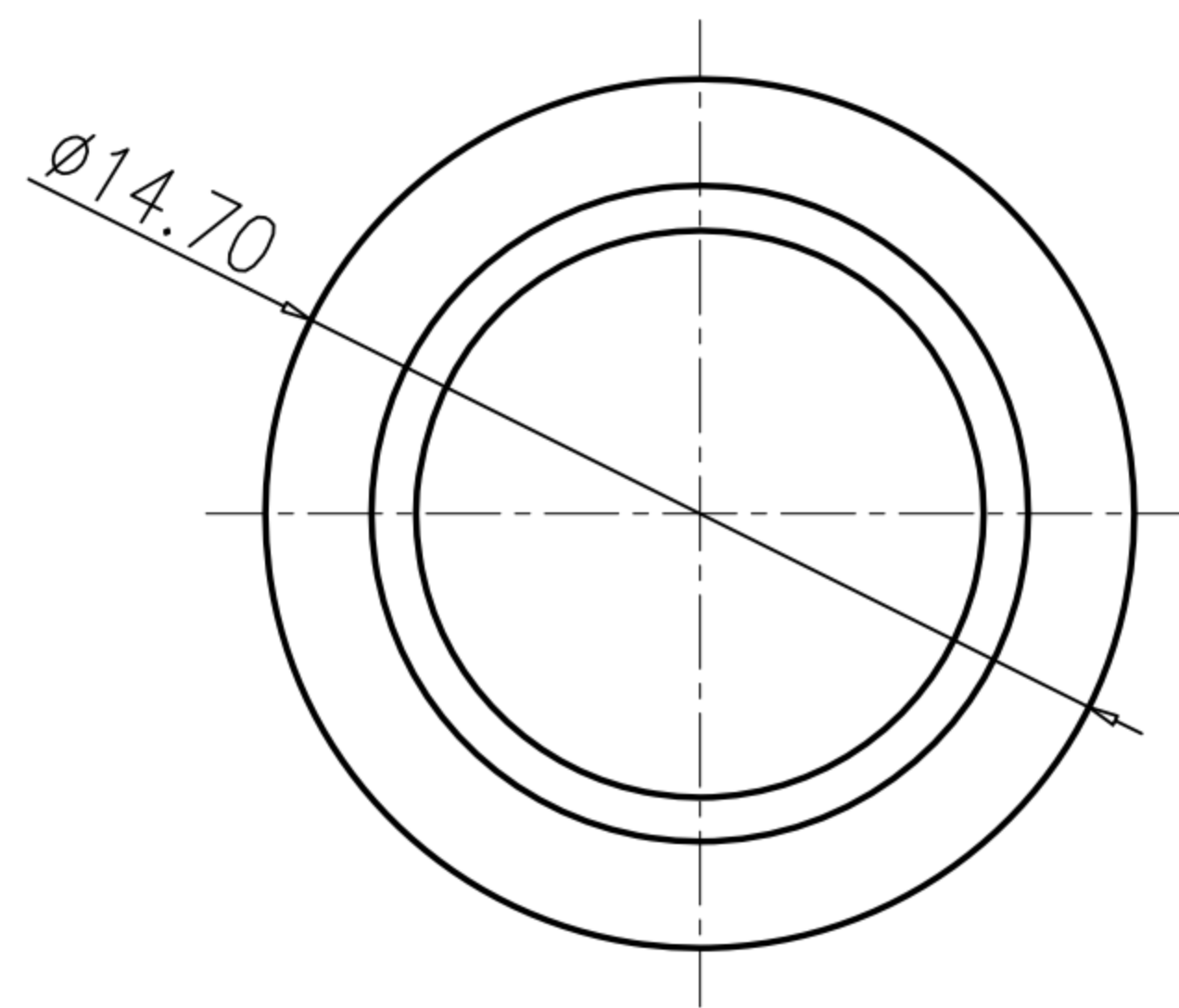
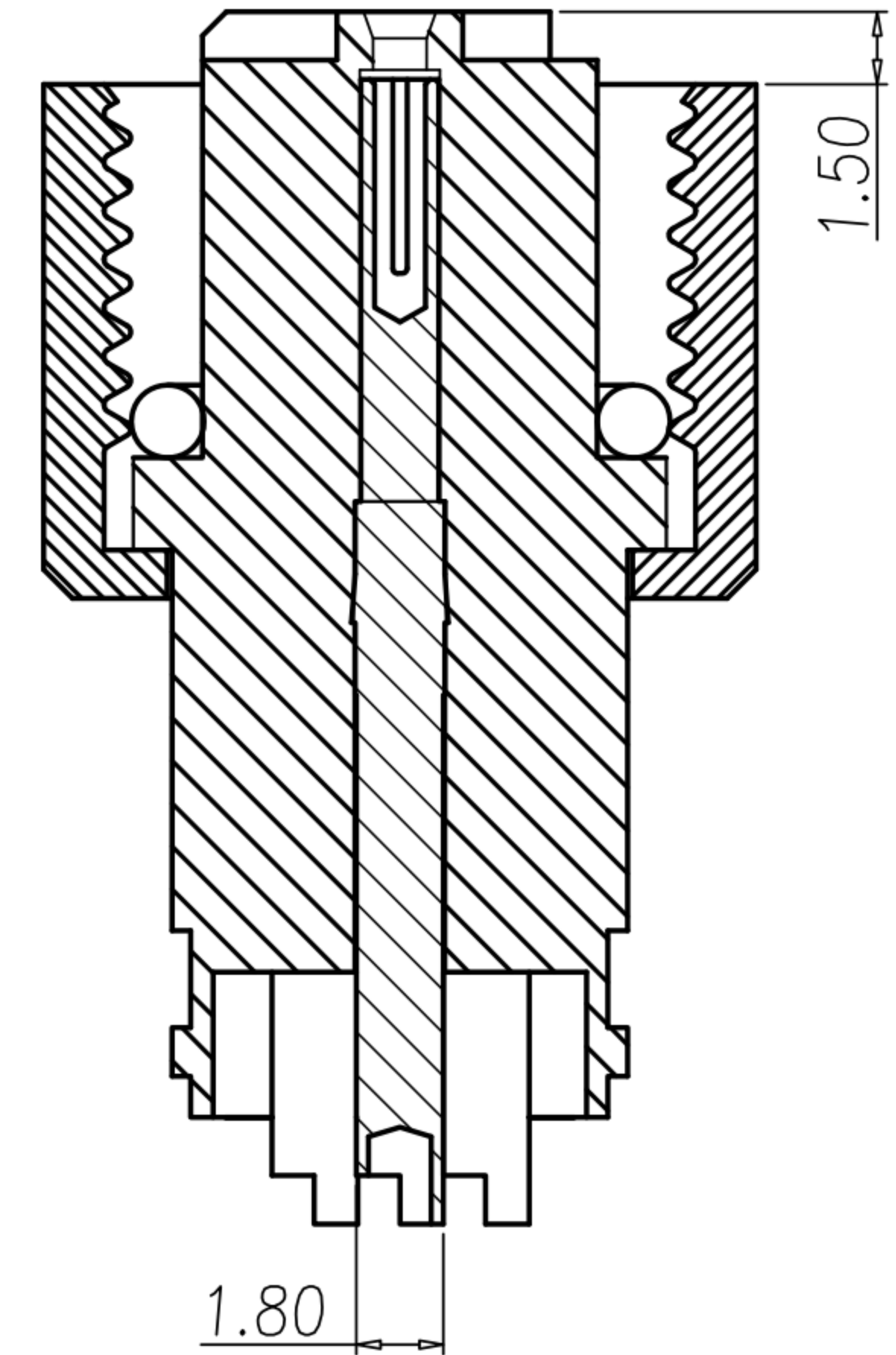
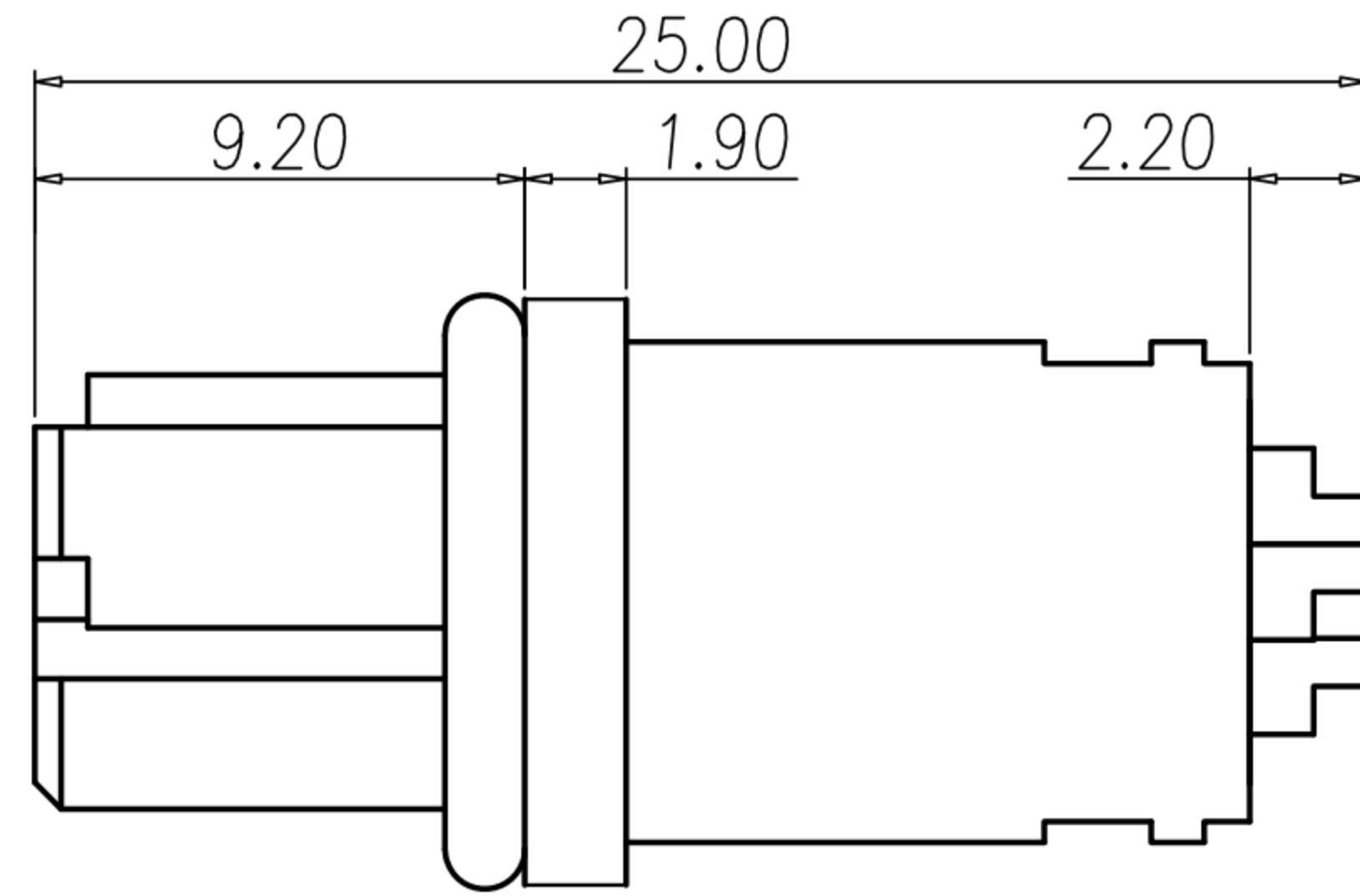
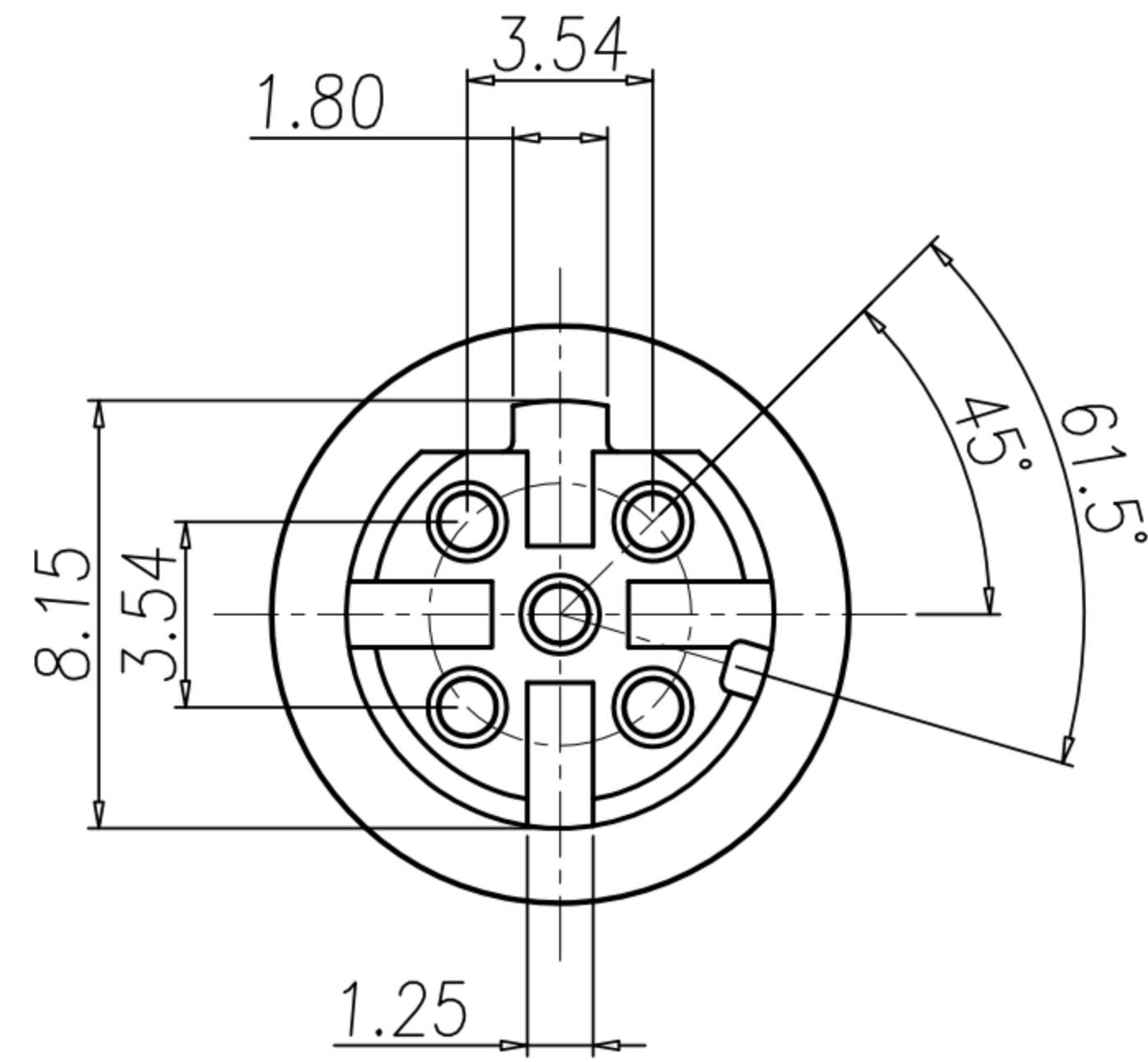
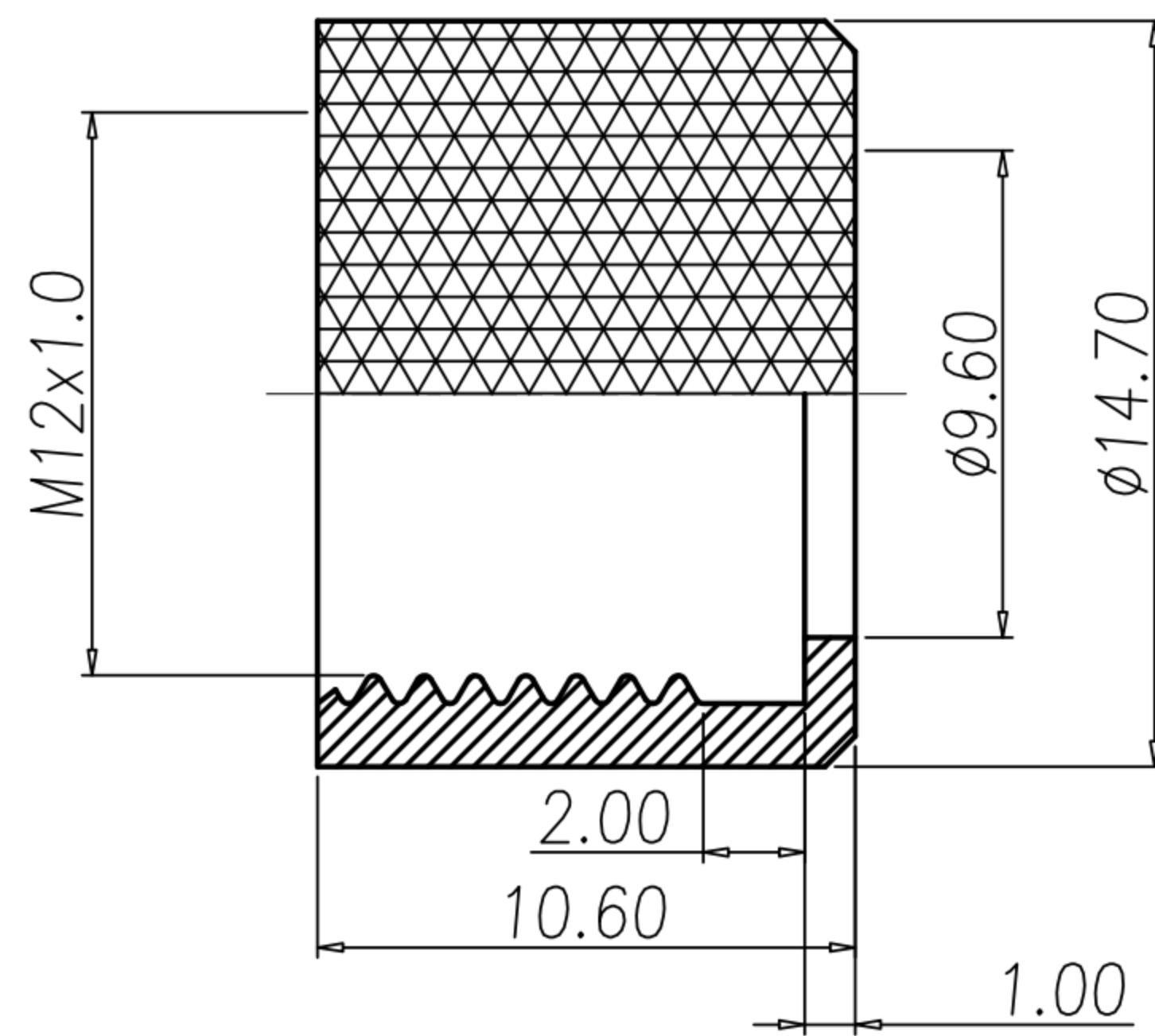


CUSTOMER DRAWING

REV.	DESCRIPTION	APPROVED BY	DATE	ECN NO.
△A	RELEASE	Fido Weng	09/10/09'	
△B	ADD TABLE A	Fido Weng	18/11/13'	
△C				



NUT



△B TABLE A

	WP-04F2-31 WP-04F2-152-11
	WP-05F2-84-11

WP-04F2-152-11	GOLD FLASH
WP-04F2-31	GOLD 10u"
WP-05F2-84-11	GOLD 10u"
PART NO	FINISH

- MATERIAL :
 - HOUSING : TPU ; COLOR : BLACK
 - CONTACT : BRASS
 - NUT : BRASS
 - O-RING : EPDM
- FINISH :
 - CONTACT : SEE TABLE A
 - NUT : NICKEL PLATED
- ELECTRICAL SPECIFICATION :
 - Rated current : 4A
 - Rated voltage : 4PIN 250V ; 5PIN 60V
 - Water proof : IPX7
- Environmental :
 - Operation Temperature : -40°C~85°C

DRAWN	Ku Chou	APPEND	Fido Weng	UNIT	mm	TOLERANCE		广东科斯达电子科技有限公司 GUANG DONG KE SI DA ELECTRONIC TECHNOLOGY CO., LTD.	TITLE	防水頭 (F) D型線端			SHEET	B
CHKED	Emily Suen			SCALE	1:1	.x ±0.20 .xx ±0.10 .xxx ±0.05 .xxxx ±0.03 ANGULA ±1°			PART NO.	SEE TABLE A	DWG NO.	QC4443	VERSION	