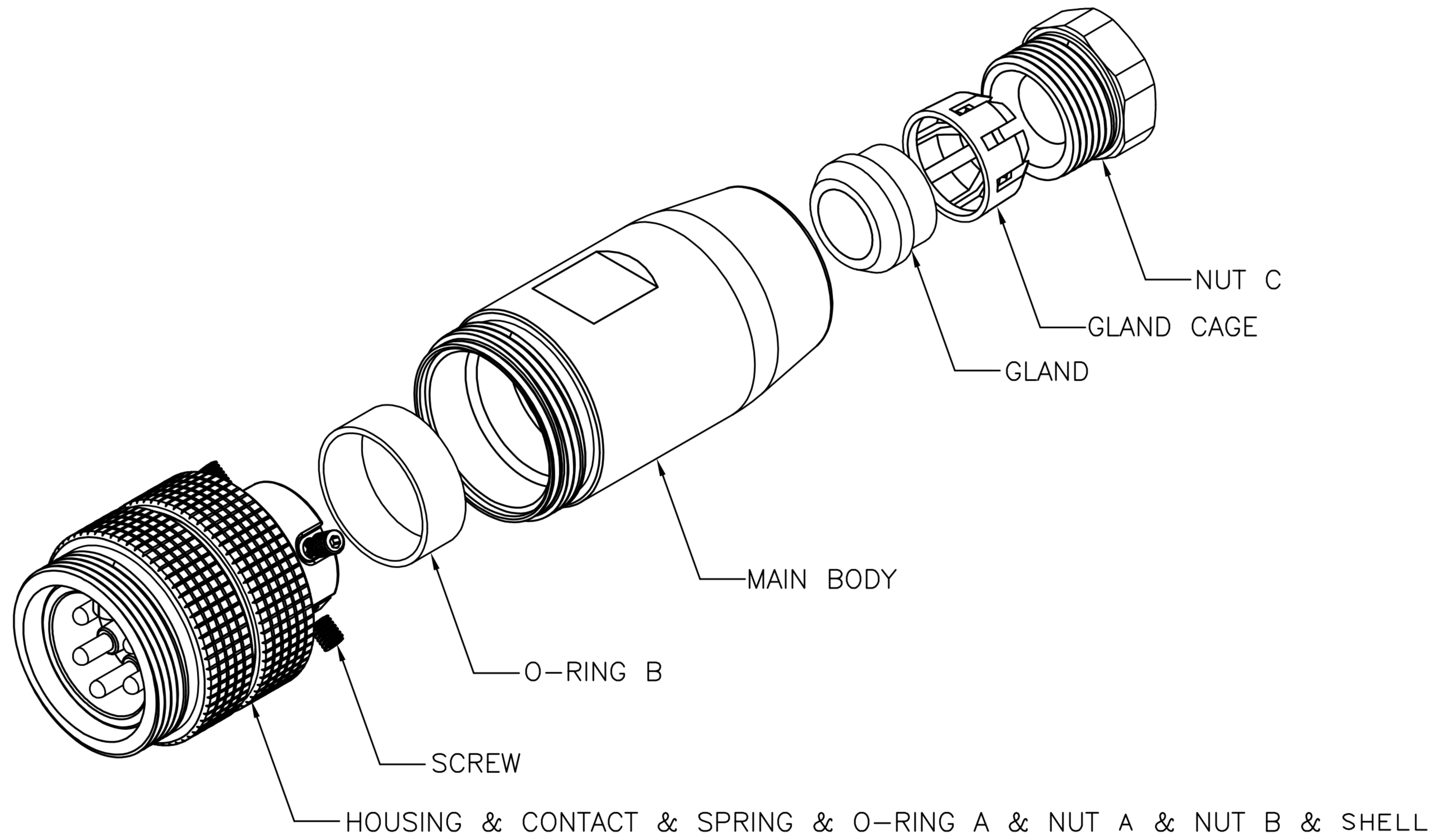


1	A	B	C	D	E	F			
	CUSTOMER DRAWING				REV.	DESCRIPTION	APPROVED BY	DATE	ECN NO.
					△A	RELEASE			
					△B				
					△C				
					△D				

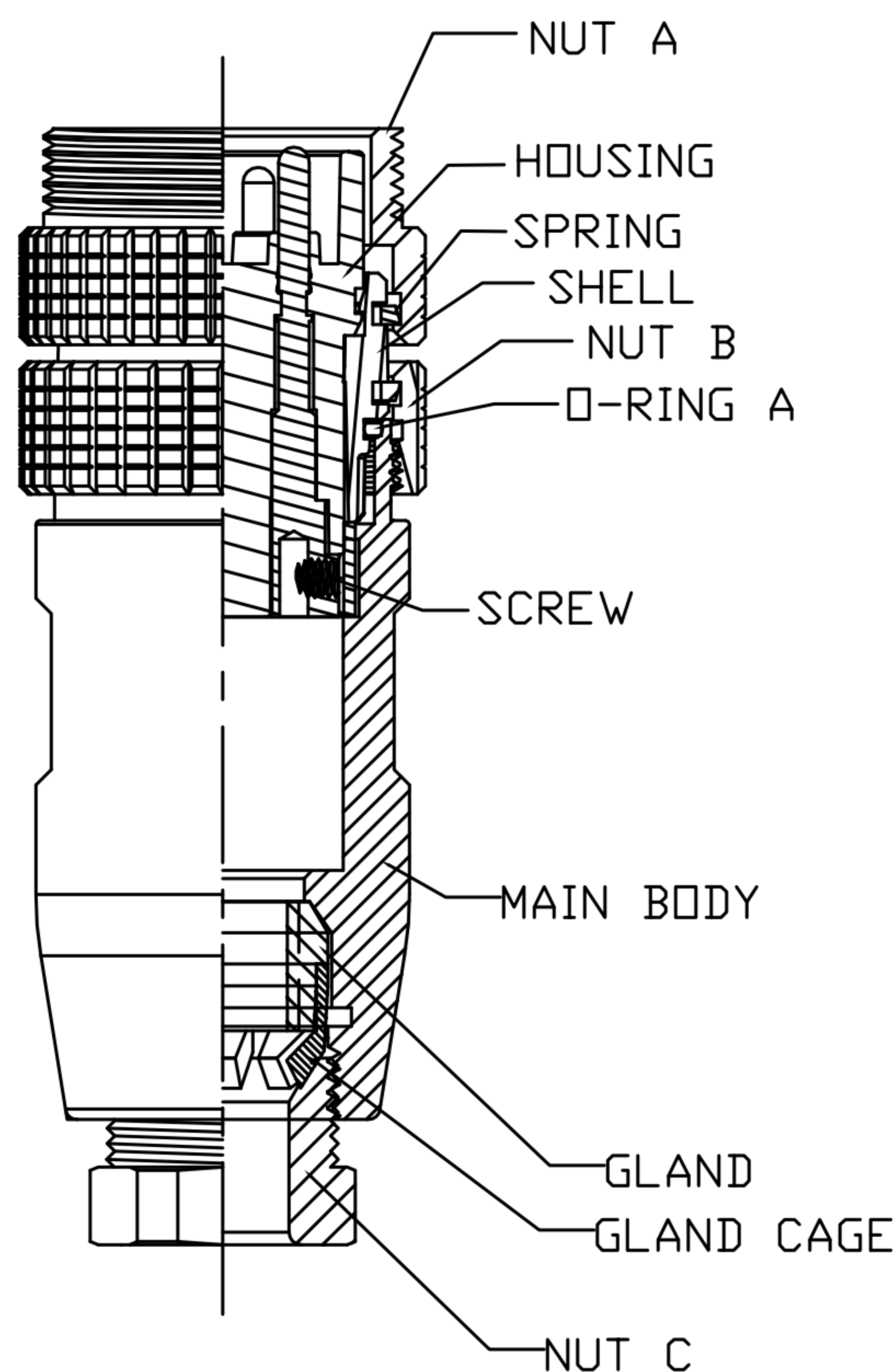
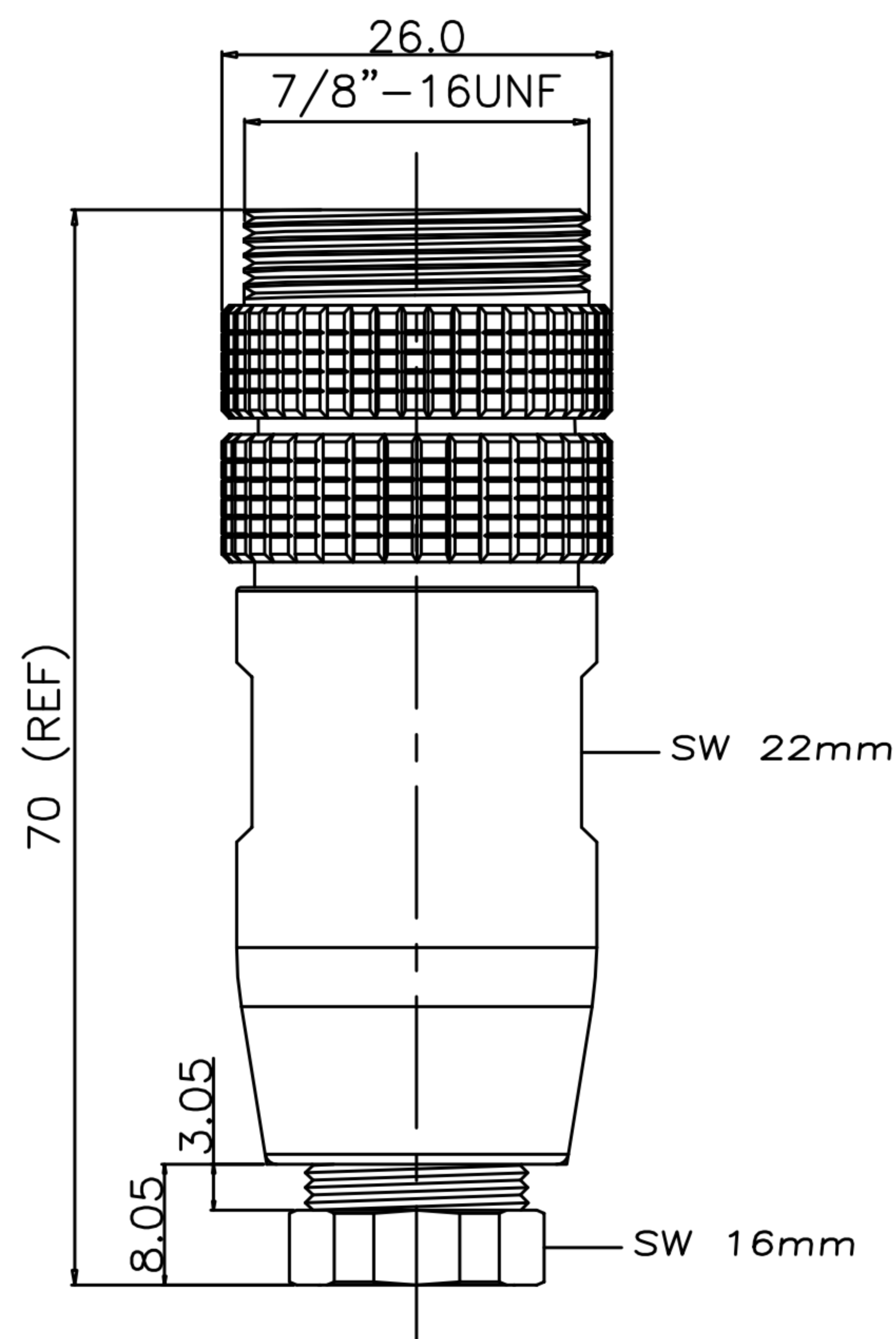
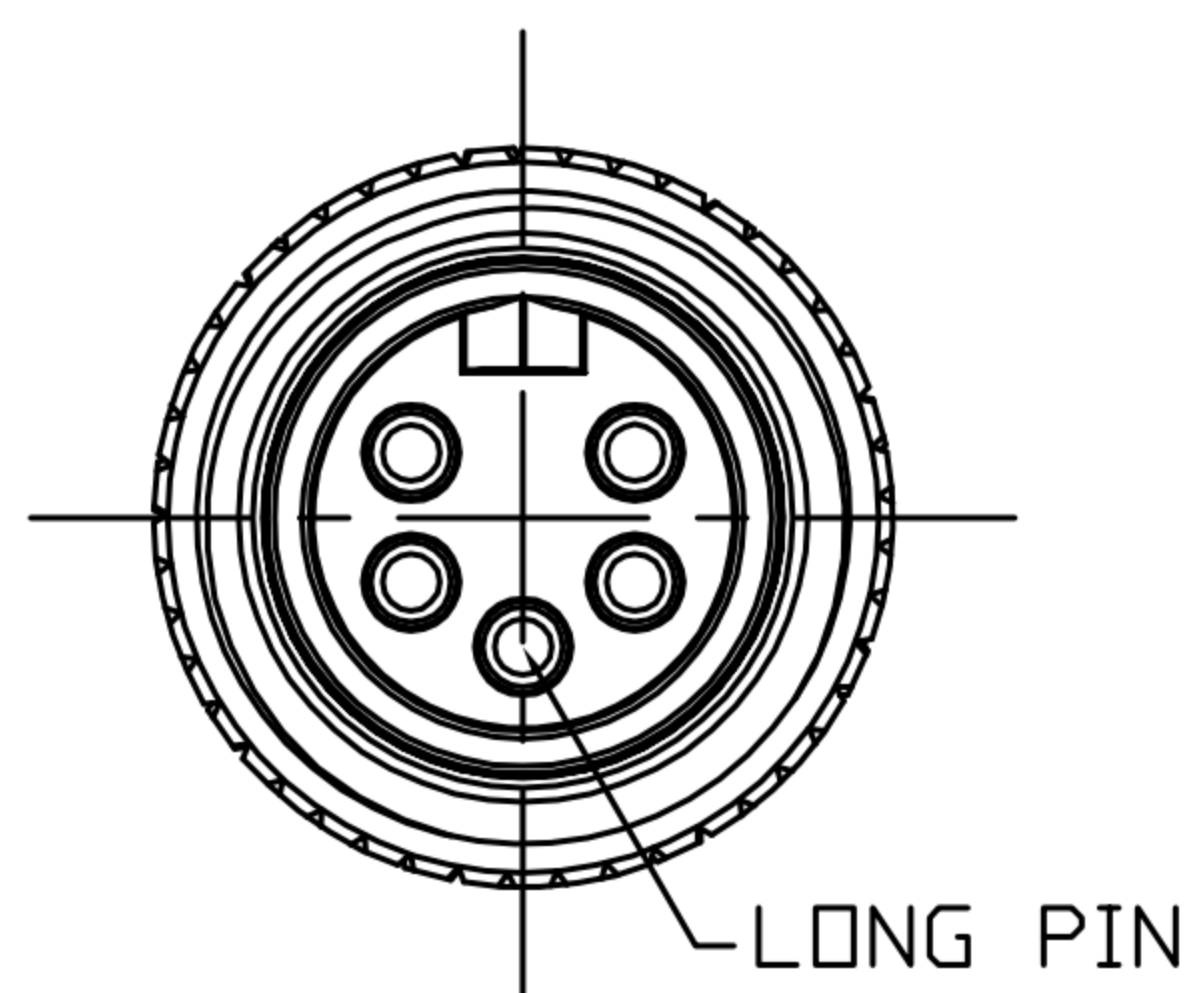
ASSEMBLY INSTUCTION



DRAWN	Emily Suen	APPVL	Ku Chou	UNIT	mm	TOLERANCE		广东科斯达电子科技有限公司 GUANG DONG KE SI DA ELECTRONIC TECHNOLOGY CO., LTD.	TITLE	7/8" 5PIN (M) 180° 鎖線式			SHEET	2
CHK'D	Emily Suen			SCALE	1:1	.x ±0.20 .xx ±0.10 .xxx ±0.05 .xxxx ±0.03 ANGULA ±1°			PART NO.	WP-05M2-155-11	DWG NO.	QC9406	VERSION	A

CUSTOMER DRAWING

REV.	DESCRIPTION	APPROVED BY	DATE	ECN NO.
△A				
△B				
△C				



1. MATERIAL :

- 1-1. HOUSING : TPU ; COLOR : YELLOW.
- 1-2. SPRING : STAINLESS STEEL.
- 1-3. O-RING A : NBR ; COLOR : BLACK.
- 1-4. NUT A : BRASS.
- 1-5. NUT B : BRASS.
- 1-6. SHELL : ALUMINIUM ALLOY
- 1-7. CONTACT : BRASS.
- 1-8. SCREW : ALLOY STEEL
- 1-9. O-RING B : SILICONE ; COLOR : BLACK.
- 1-10. MAIN BODY : ALUMINIUM ALLOY
- 1-11. GLAND : SILICONE COLOR : BLACK.
- 1-12. GLAND CAGE : POM ; COLOR : WHITE.
- 1-13. NUT C : ALUMINIUM ALLOY

2. FINISH :

- 2-1. NUT A : NICKEL PLATED OVER ALL
- 2-2. NUT B : NICKEL PLATED OVER ALL
- 2-3. SHELL : NICKEL PLATED OVER ALL
- 2-4. CONTACT : GOLD FLASH ON OVER ALL
- 2-5. SCREW : NICKEL PLATED OVER ALL
- 2-6. MAIN BODY : NICKEL PLATED OVER ALL
- 2-7. NUT C : NICKEL PLATED OVER ALL

3. ELECTRICAL SPECIFICATION :

- 3-1. Rated current : 20A
- 3-2. Rated voltage : 250V
- 3-3. Water proof : IP67

4. Environmental :

- 4-1. Operation Temperature : -40℃~85℃

DRAWN	Ku Chou	APP'D	Emily Suen	UNIT	mm	TOLERANCE			TITLE	7/8" 5PIN (M) 180° 鎖線插式			SHEET	1/2
CHK'D	Emily Suen			SCALE	1:1					PART NO.	WP-05M2-155-11	DWG NO.	QC9406	VERSION