
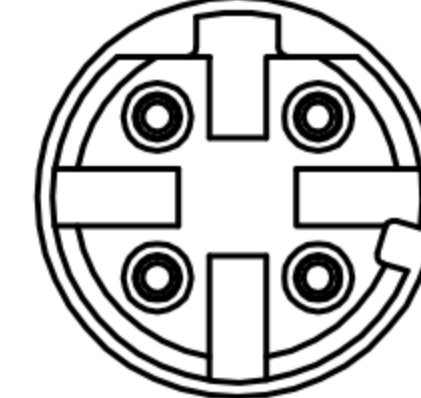



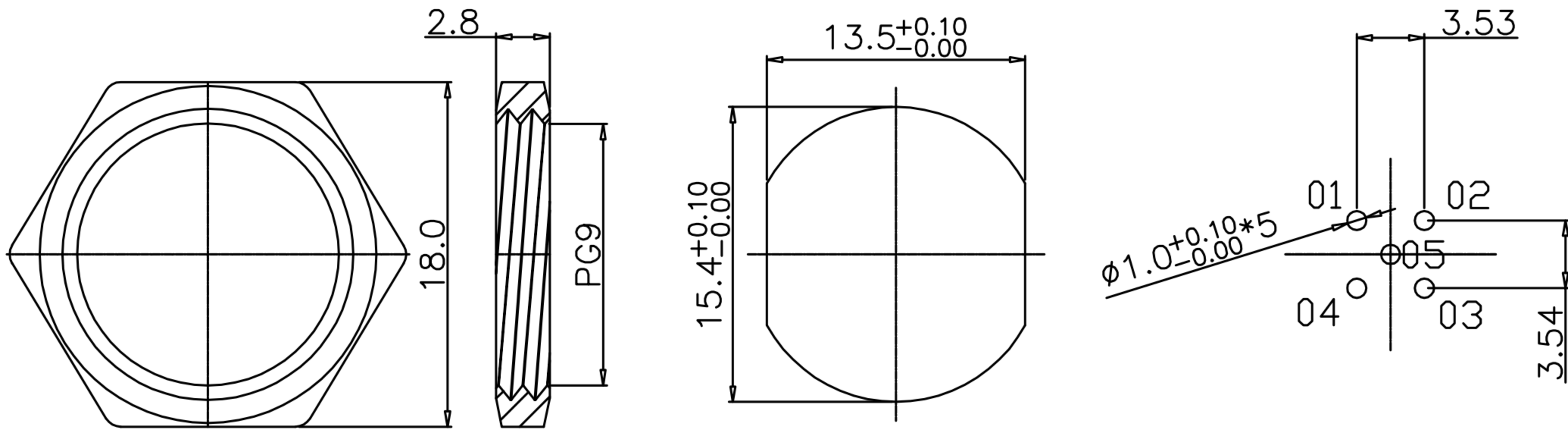
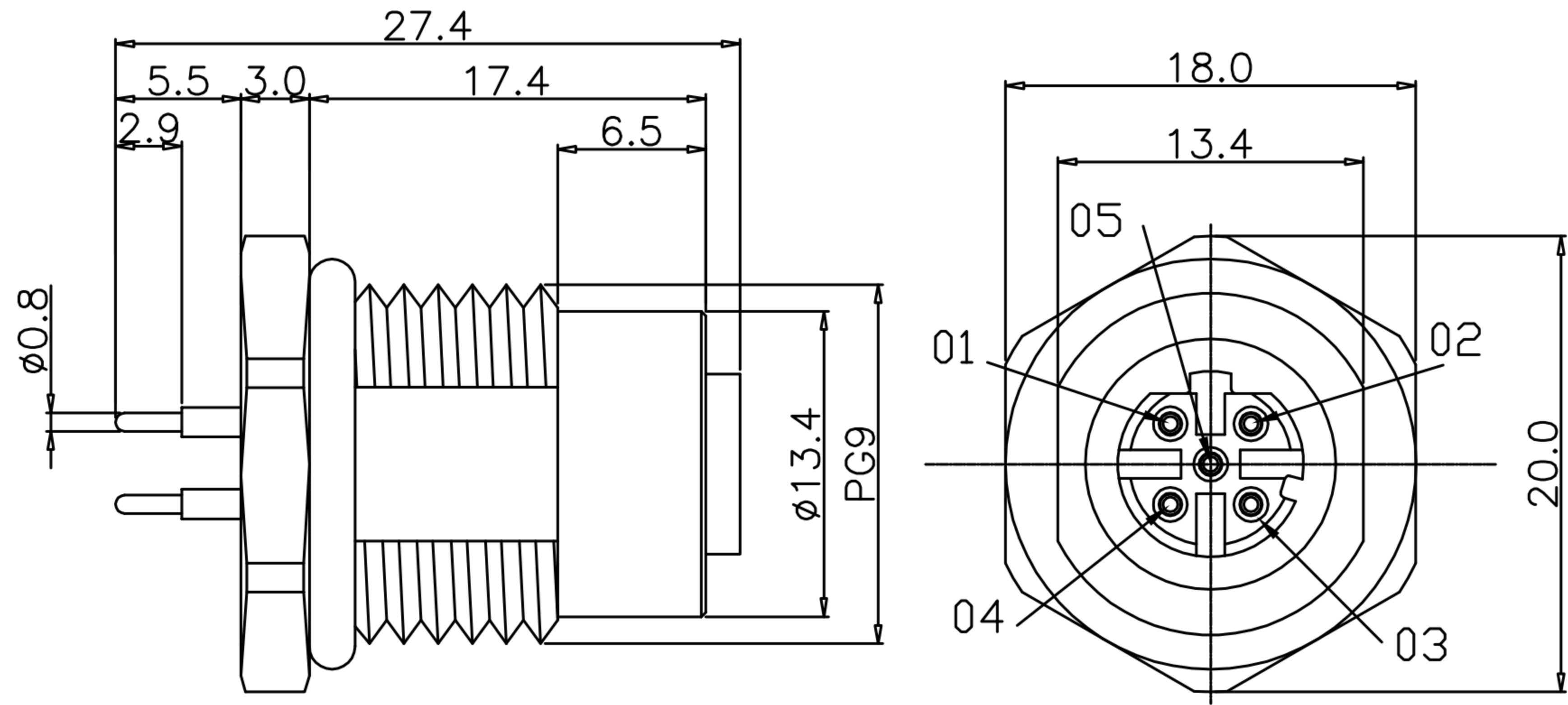
CUSTOMER DRAWING

REV.	DESCRIPTION	APPROVED BY	DATE	ECN NO.
A	RELEASE	Fido Weng	04/03/10'	
B				
C				

TABLE A

	5PIN	4PIN	3PIN
			
	WP-05F2-63	WP-04F2-79 WP-04F2-161-11 WP-04F3-15-11	WP-03F2-28

PART NO	MATERIAL(SHELL&NUT)	FINISH(SHELL&NUT)	FINISH(CONTACT)
WP-04F3-15-11	STAINLESS STEEL 316	-	GOLD 10u"
WP-04F2-161-11	BRASS	NICKEL PLATED	GOLD FLASH
WP-05F2-63	BRASS	NICKEL PLATED	GOLD 10u"
WP-04F2-79	BRASS	NICKEL PLATED	GOLD 10u"
WP-03F2-28	BRASS	NICKEL PLATED	GOLD 10u"



- MATERIAL :
 - 1-1. HOUSING : PBT UL94V-0 ; COLOR : BLACK
 - 1-2. CONTACT : BRASS
 - 1-3. NUT : SEE TABLE A
 - 1-4. SHELL : SEE TABLE A
 - 1-5. O-RING : EPDM ; COLOR : BLACK
- FINISH :
 - 2-1. CONTACT : SEE TABLE A
UNDER PLATE : NICKEL
 - 2-2. NUT : SEE TABLE A
 - 2-3. SHELL : SEE TABLE A
- ELECTRICAL SPECIFICATION :
 - 3-1. Rated current : 4A
 - 3-2. Rated voltage : 3PIN~4PIN 250V ; 5PIN 60V
 - 3-3. Water proof : IPX7
- Environmental :
 - 4-1. Operation Temperature : -40°C~85°C

NUT

RECOMMEND PANEL CUT-OUT RECOMMEND P.C.B LAYOUT

DRAWN	Ku Chou	APPEND	Fido Weng	UNIT	mm	TOLERANCE		 广东科斯达电子科技有限公司 GUANG DONG KE SI DA ELECTRONIC TECHNOLOGY CO., LTD.	TITLE	防水头 M12 D-Code (F) 前锁 Pg9 插件式			SHEET	1/2
CHKED	Emily Suen			SCALE	1:1	.x ±0.20 .xx ±0.10 .xxx ±0.05 .xxxx ±0.03 ANGULA ±1°			PART NO.	SEE TABLE A	DWG NO.	QC5577	VERSION	A