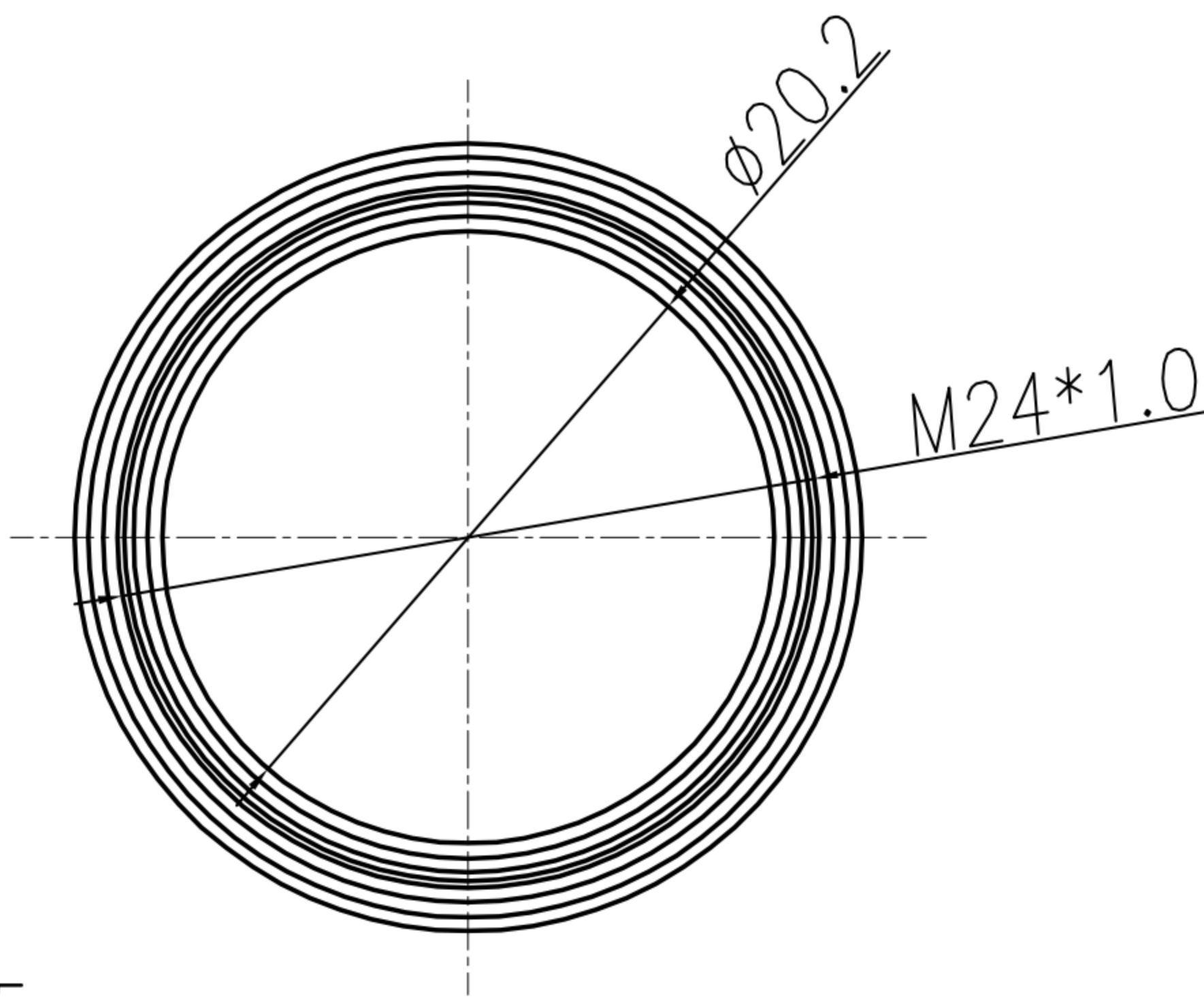
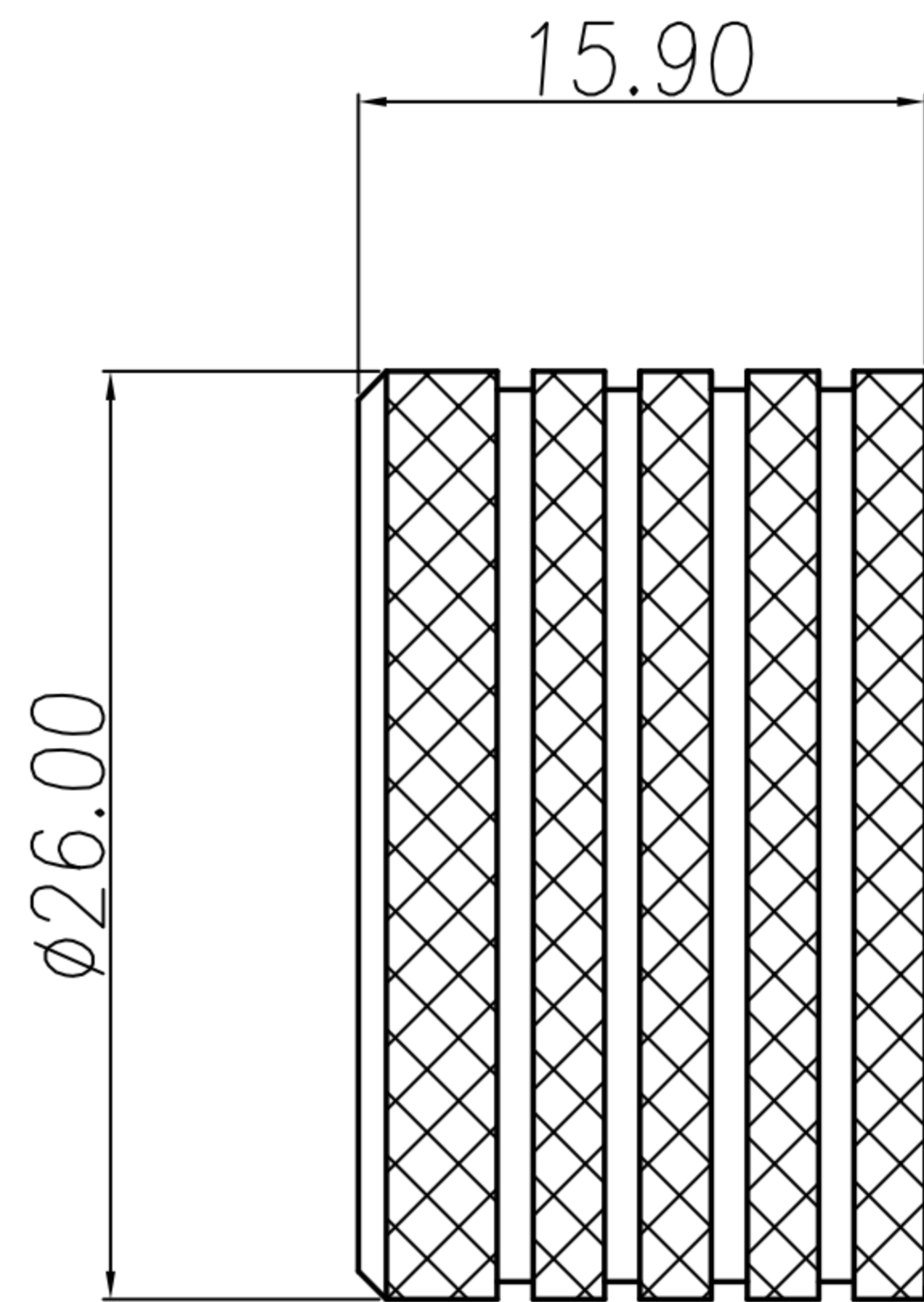
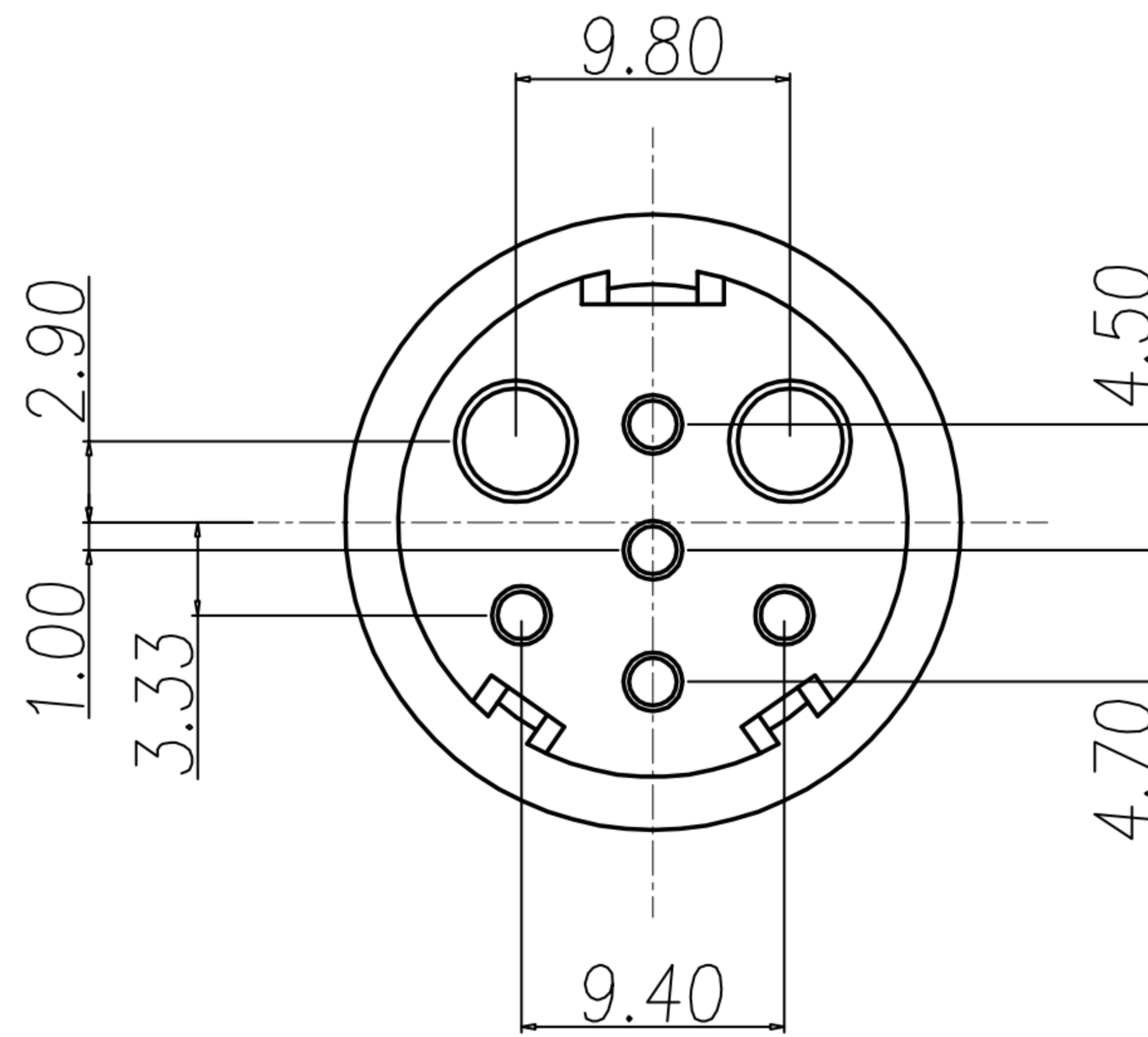
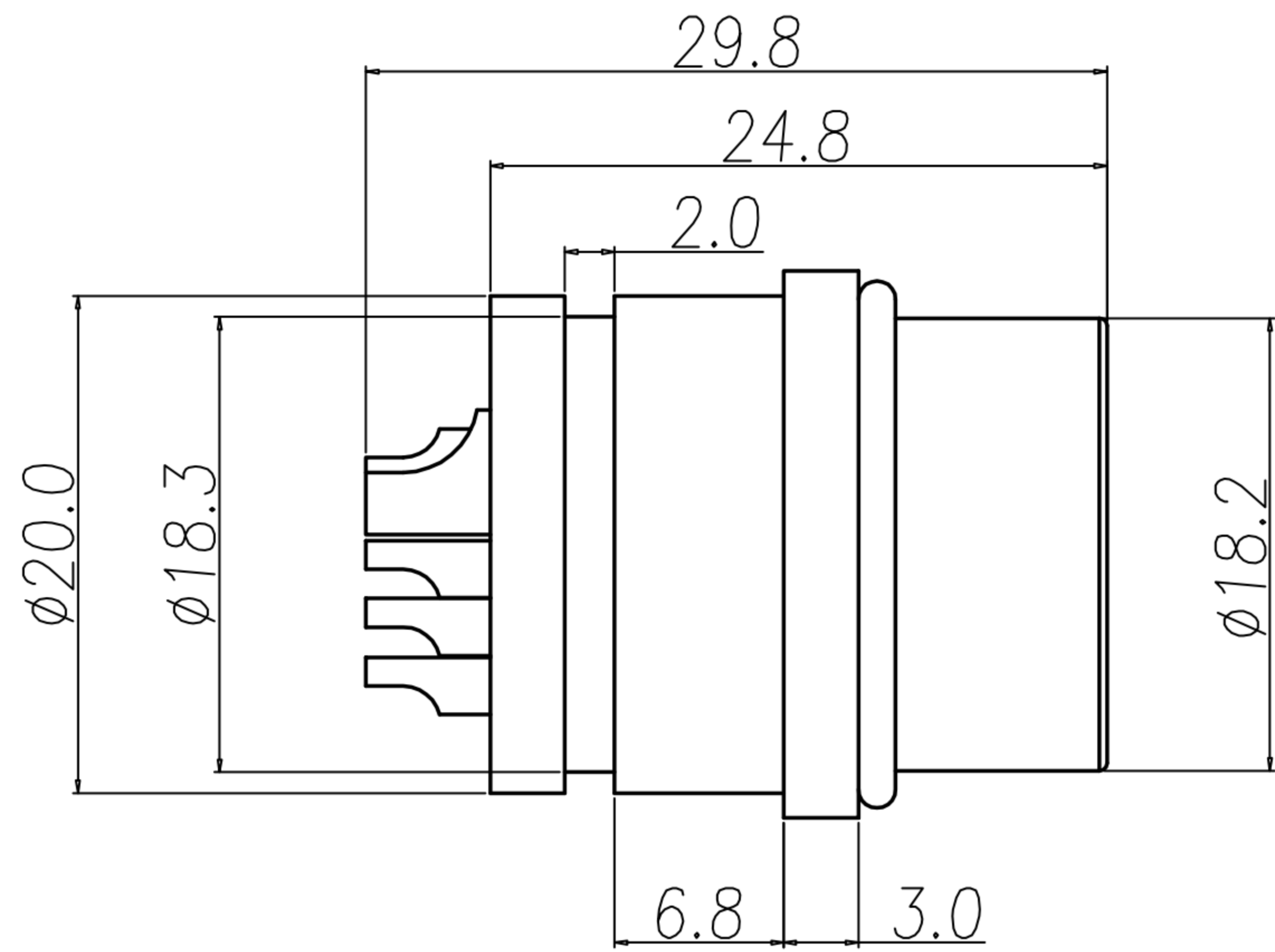


CUSTOMER DRAWING

REV.	DESCRIPTION	APPVL. BY	DATE	ECN NO.
A	RELEASE	Fido Weng	08/04/13*	
B				
C				



NUT

- MATERIAL :
 - HOUSING : PBT UL94V-0 ; COLOR : BLACK
 - CONTACT : BRASS
 - NUT : BRASS
 - O-RING : EPDM
- FINISH :
 - CONTACT : GOLD FLASH MICRO INCHES MIN.
UNDER PLATE : NICKEL
 - NUT : NICKEL PLATED.
- ELECTRICAL SPECIFICATION :
 - Rated current : 7.5A & 25A
 - Rated Voltage : 125V & 500V
 - Water proof : IPX7
- Environmental :
 - Operation Temperature : -40°C~85°C

DRAW	Ku Chou	APPVL	Emily Suen	UNIT	mm	TOLERANCE .x ±0.20 .xx ±0.10 .xxx ±0.05 .xxxx ±0.03 ANGULA ±1°		广东科斯达电子科技有限公司 GUANG DONG KE SI DA ELECTRONIC TECHNOLOGY CO., LTD.	TITLE	防水頭 M24 7PIN(F) 線端線式(2粗5細)			SHEET	
CHECK	Ku Chou			SCALE	1:1				PART NO.	WP-07F2-14-11	DWG NO.	QC9067	VERSION	