

CUSTOMER DRAWING

REV.	DESCRIPTION	APPROVED BY	DATE	ECN NO.
A	RELEASE	Fido Weng	15/08/11'	
B	CHANGE MATERIAL	Fido Weng	07/11/12'	
C	新增料號	Fido Weng	02/07/13'	

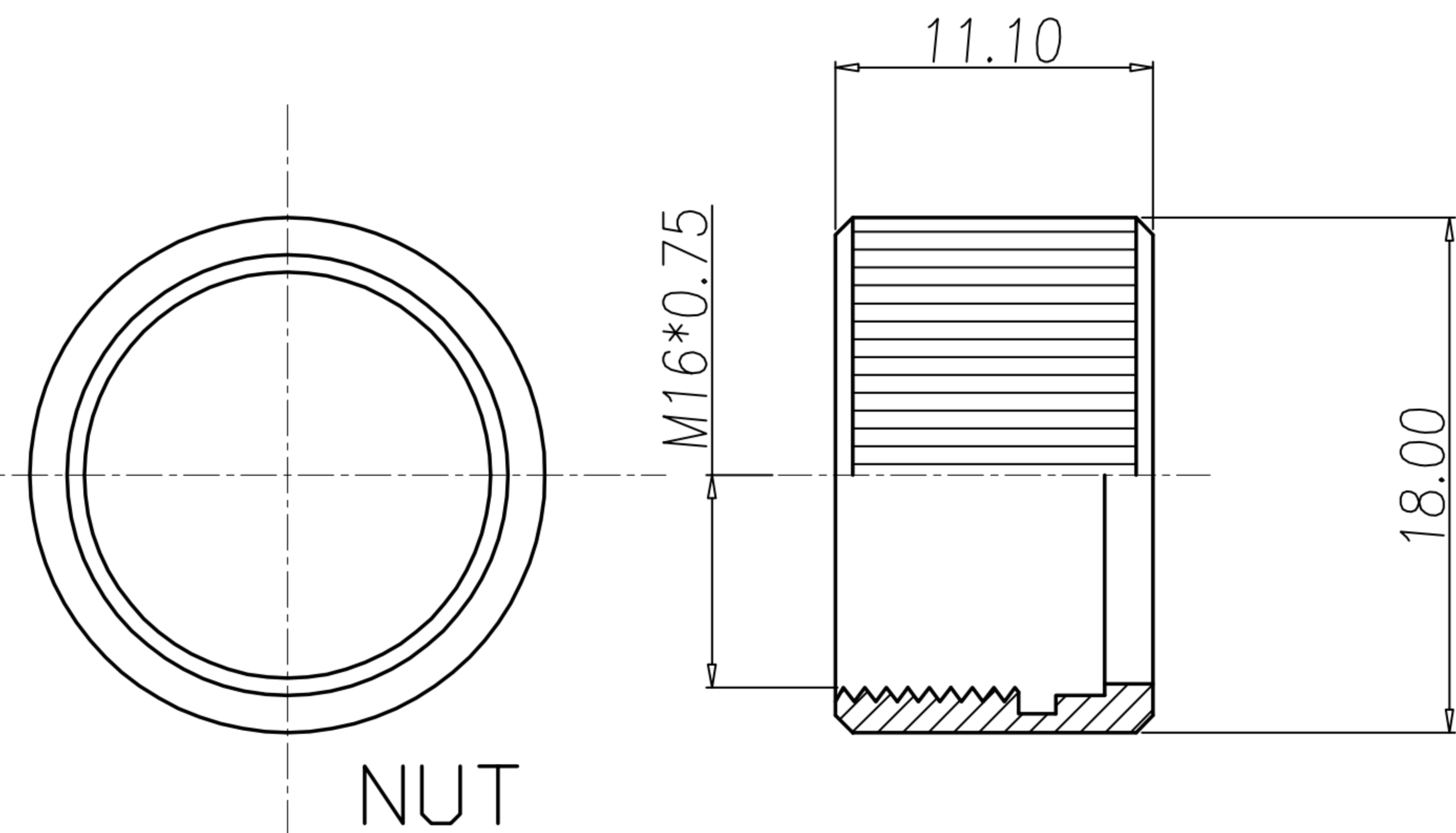
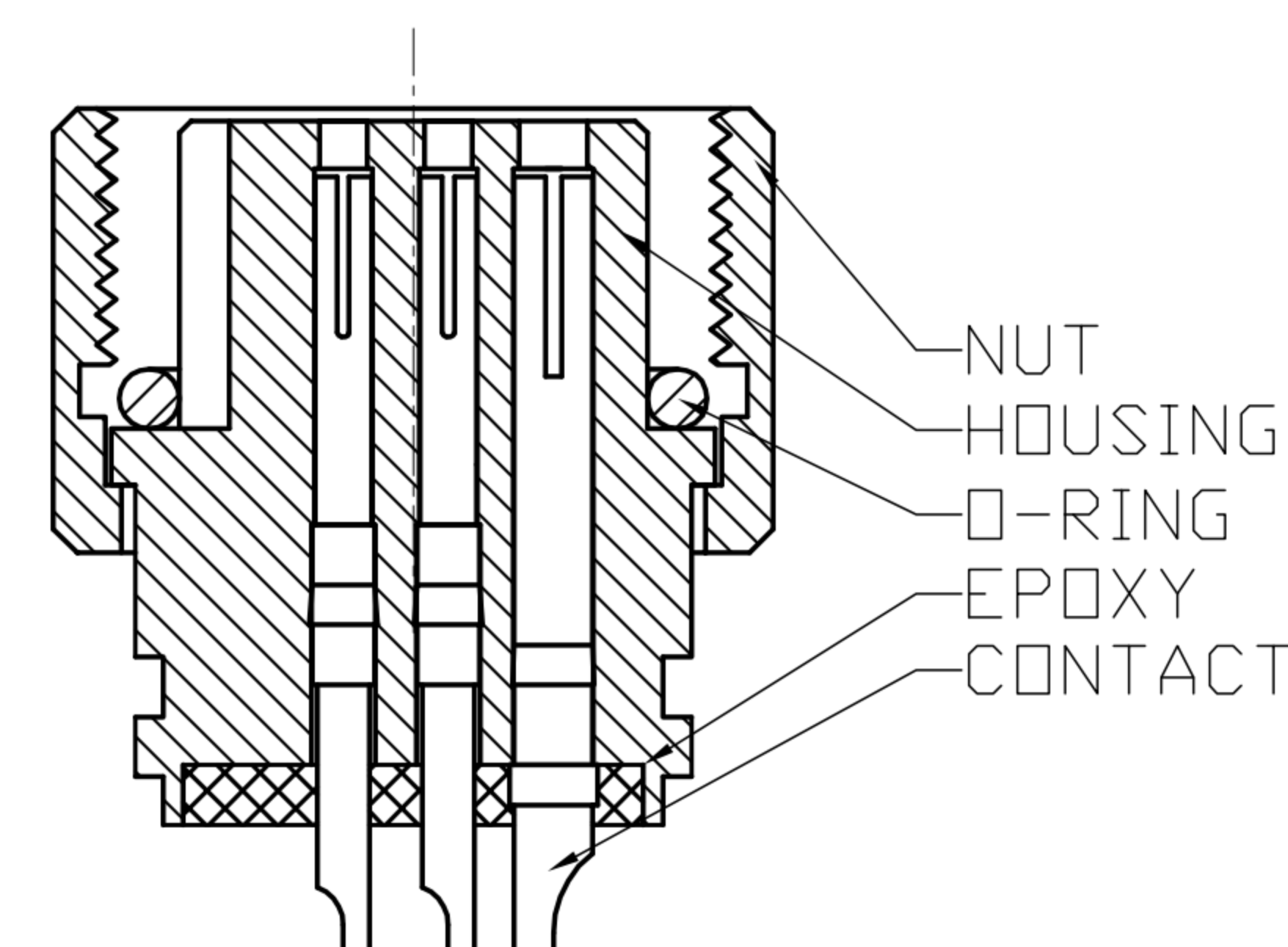
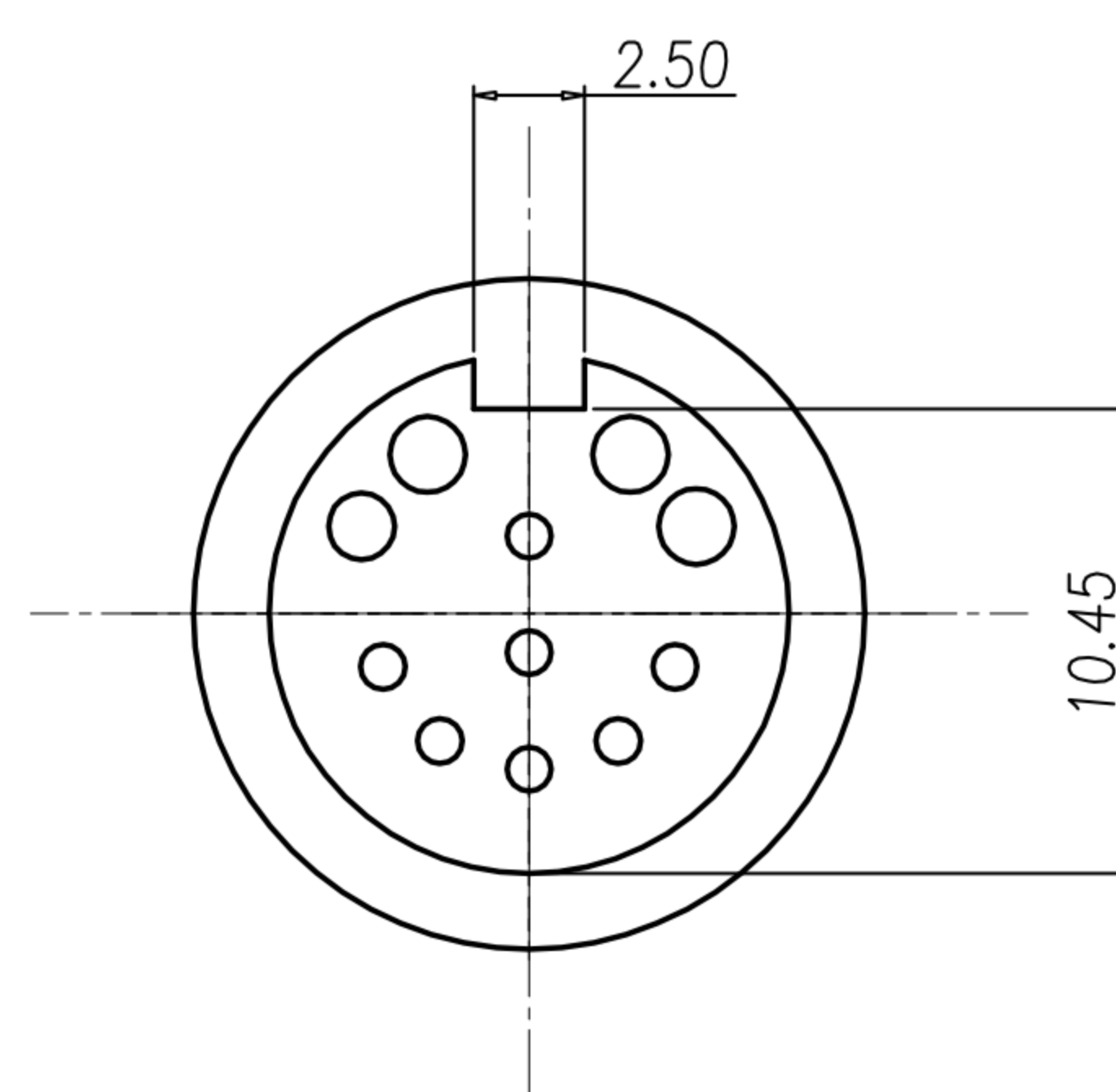
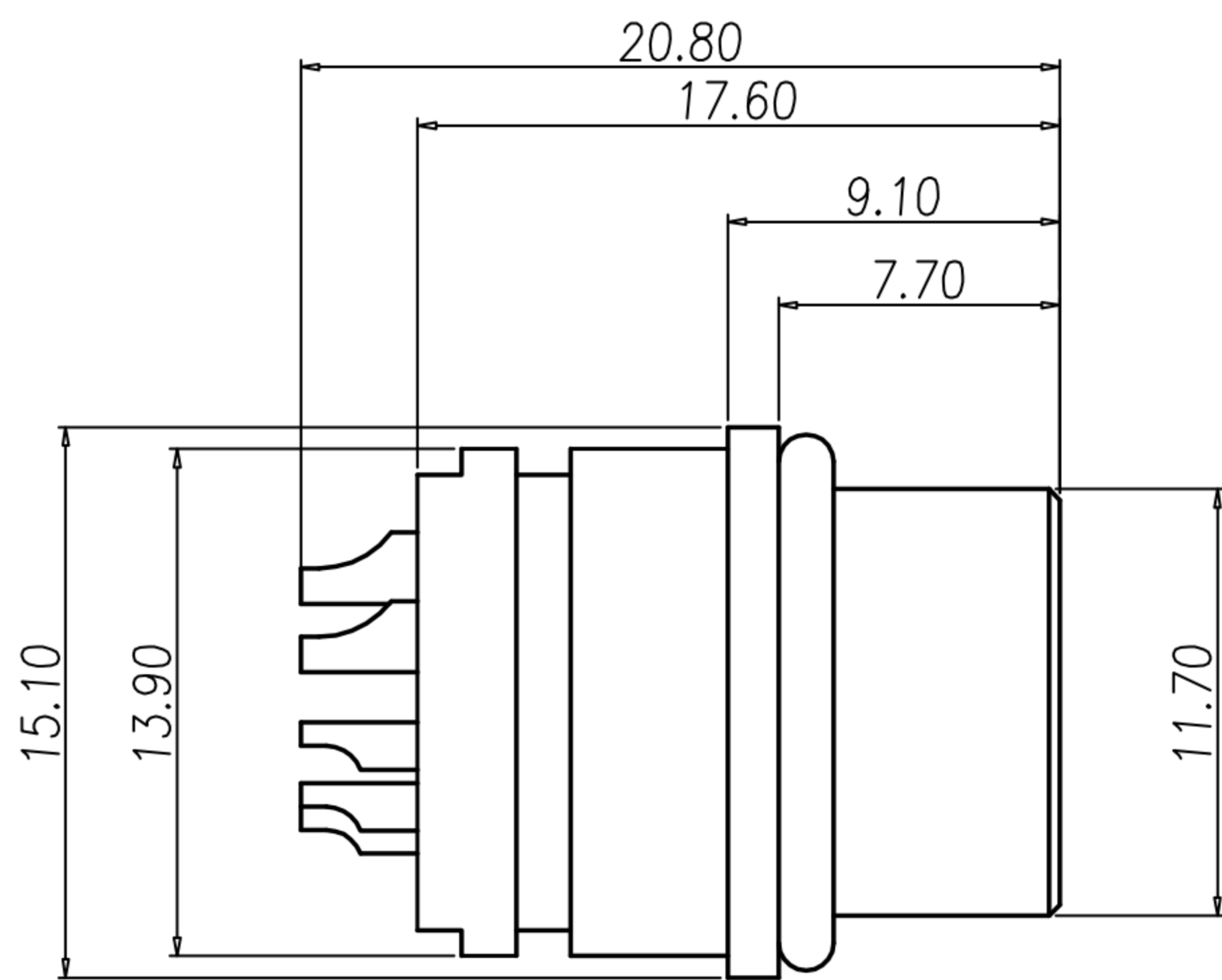


TABLE A

DI-08F1-02-11 (8P)	DI-11F1-01 (11P)

- MATERIAL :
  - 1-1. HOUSING : PBT ; COLOR : BLACK
  - 1-2. CONTACT : BRASS
  - 1-3. NUT : BRASS.
  - 1-4. O-RING : EPDM ; COLOR : BLACK
- FINISH :
  - 2-1. CONTACT : GOLD FLASH MICRO INCHES MIN.  
UNDER PLATE : NICKEL
  - 2-2. NUT : Satin Nickel PLATED.
- ELECTRICAL SPECIFICATION :
  - 3-1. Rated current : 10A+1A
  - 3-2. Rated Voltage : 250V+125V
- Environmental :
  - 4-1. Operation Temperature : -40 ℃~85℃

DRAWN	UNIT	TOLERANCE	TITLE		SHEET
KU	mm	.x ±0.20	DIN M16 (F) 10A+1A		1
CHKD	SCALE	.xx ±0.10	PART NO.	SEE TABLE A	VERSION
Emily Suen	1:1	.xxx ±0.05	DWG NO.	QC5465	B
APPEND		.xxxx ±0.03			
Emily Suen		ANGULA ±1°			

