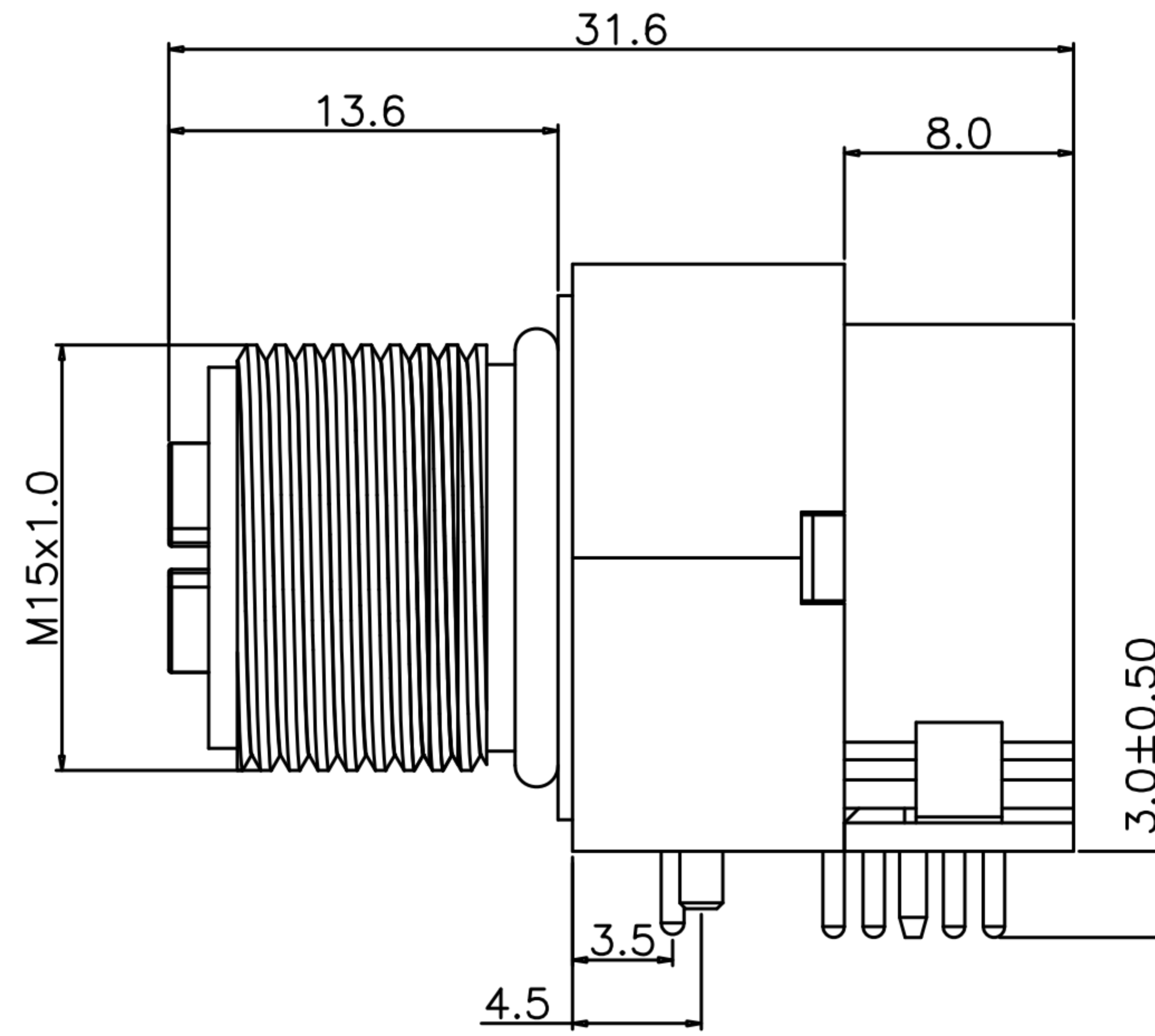
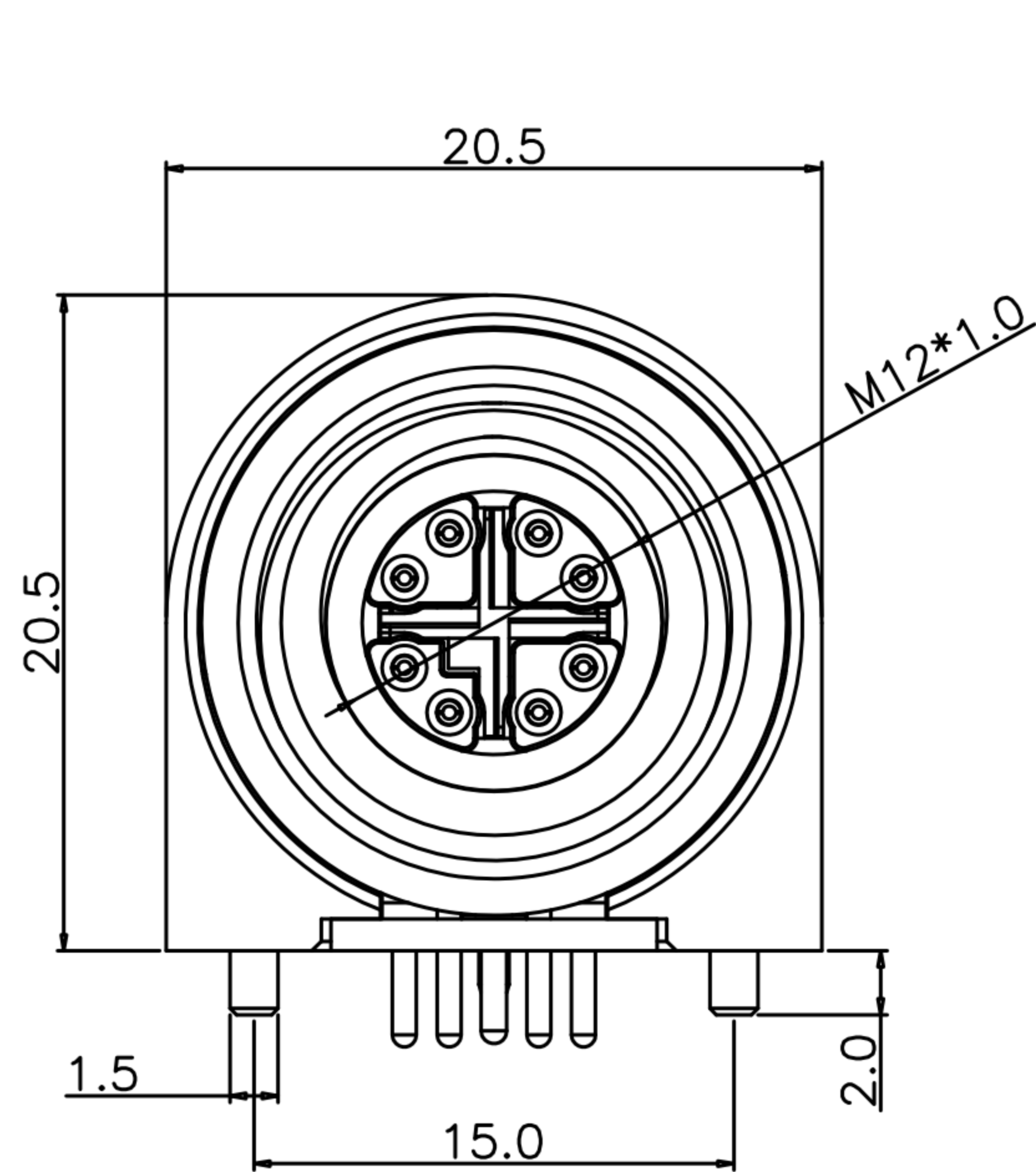
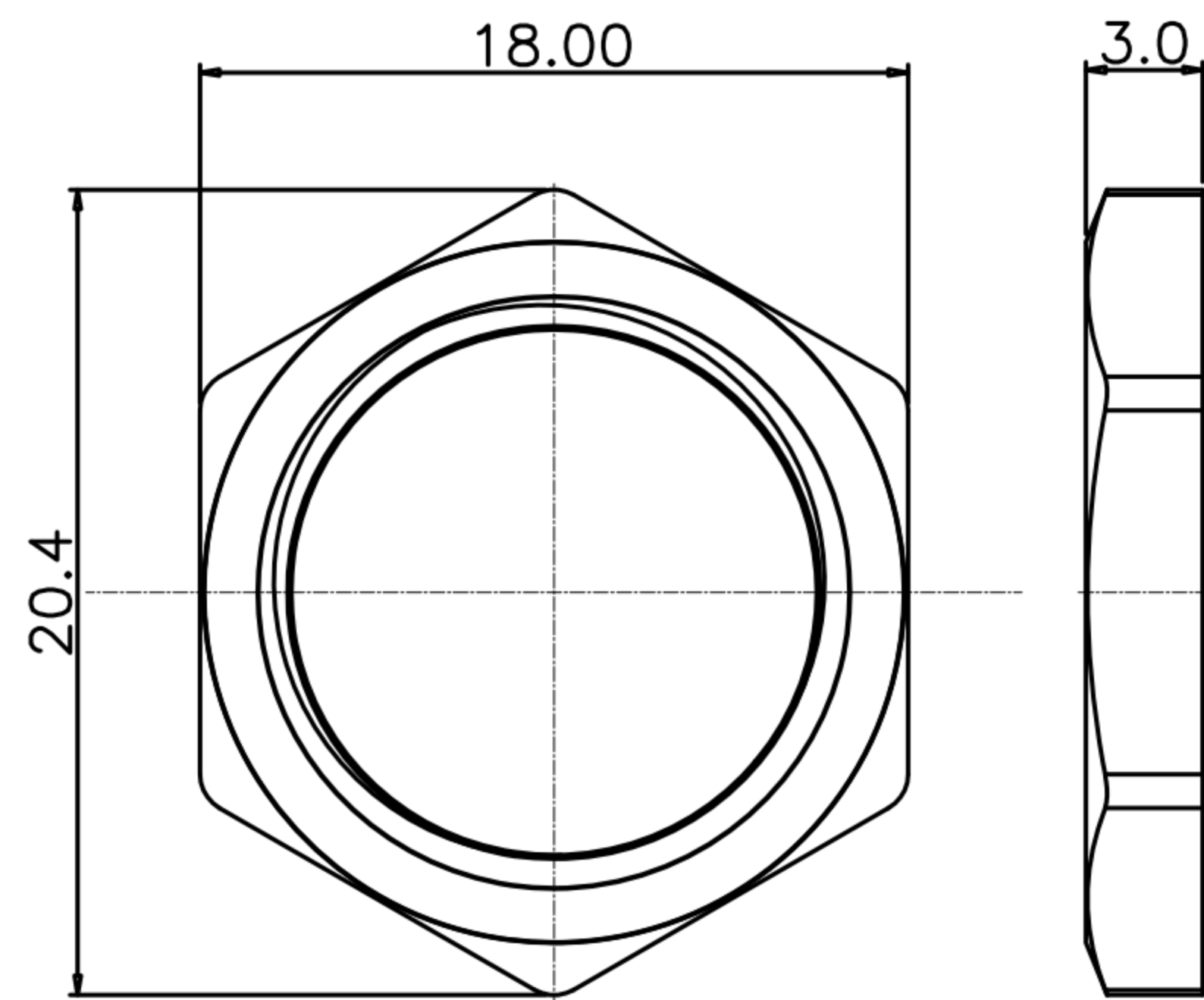


CUSTOMER DRAWING

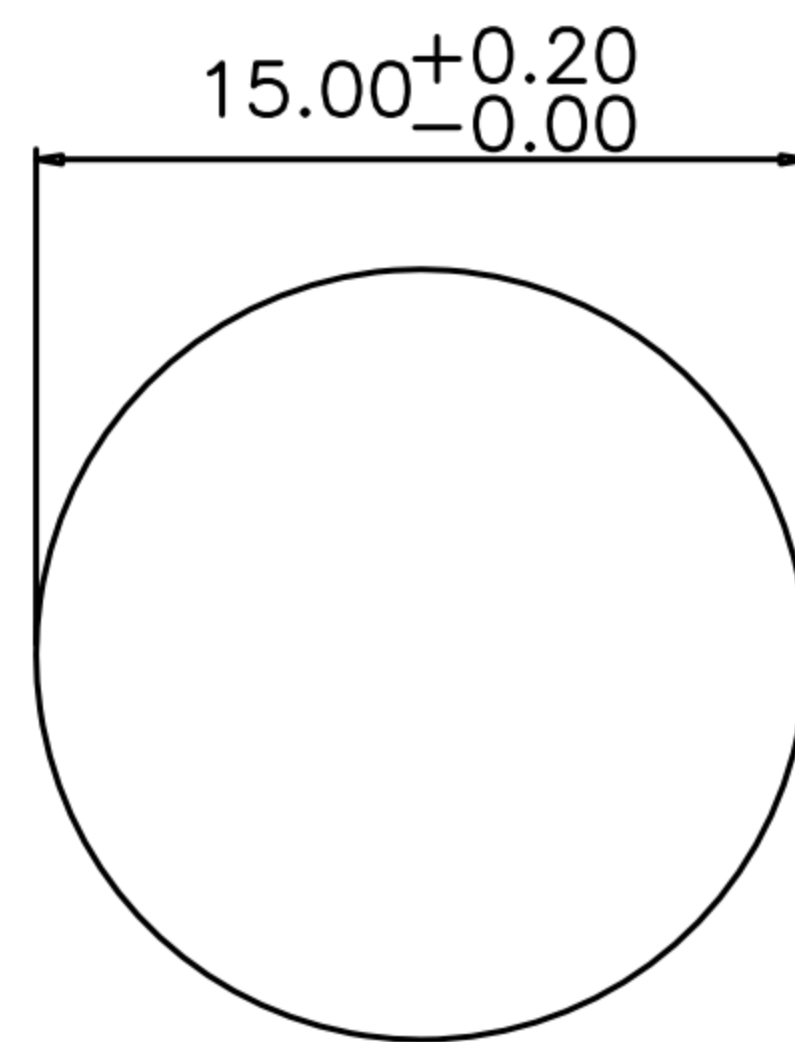
REV.	DESCRIPTION	APPROVED BY	DATE	ECN NO.
A	RELEASE	Ku Chou	23/08/19'	
B				
C				



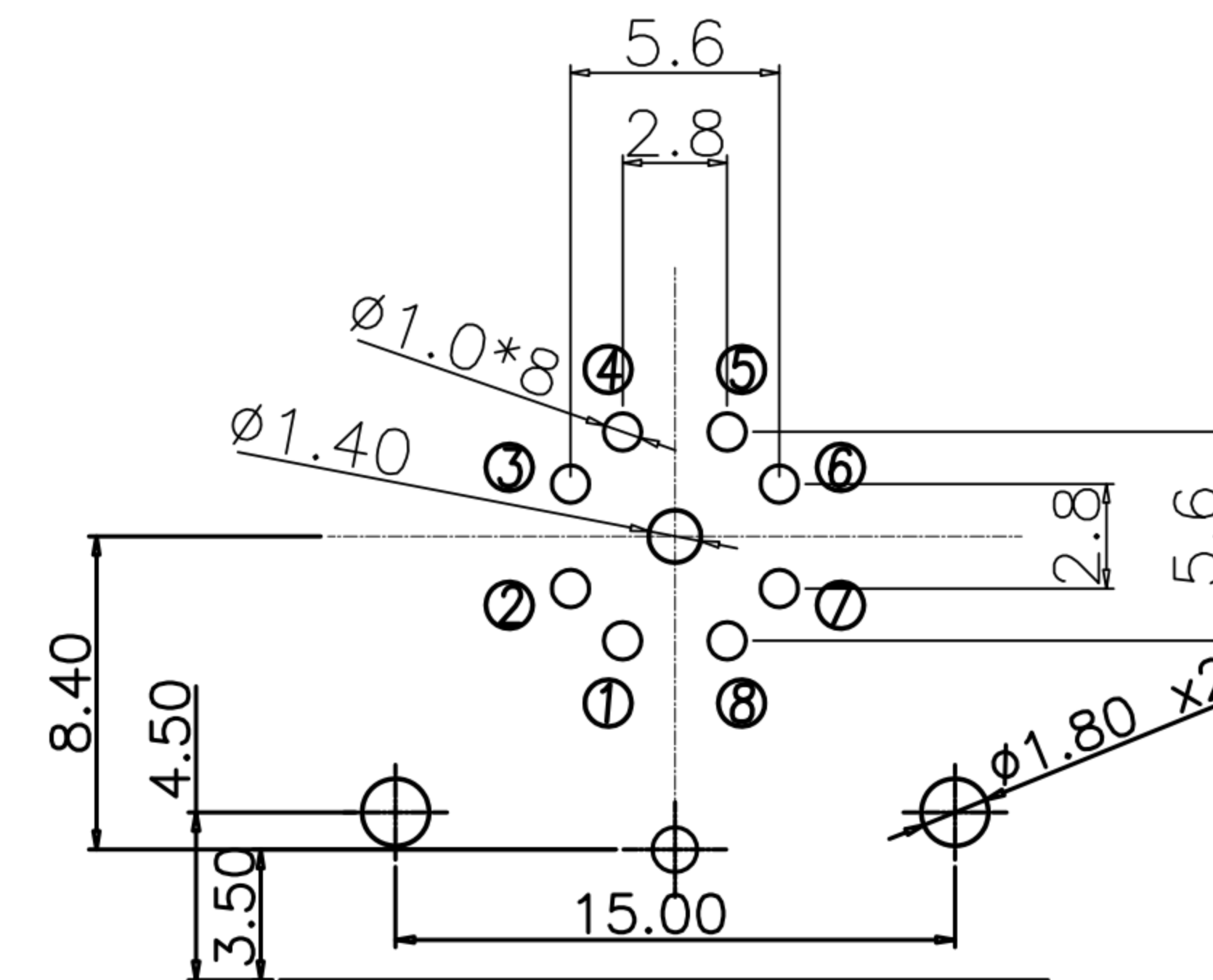
- MATERIAL :
 - 1-1. HOUSING : PA66 ; COLOR : BLACK
 - 1-2. CONTACT : BRASS.
 - 1-3. NUT : BRASS.
 - 1-4. SHELL : BRASS.
 - 1-5. O-RING : EPDM
 - 1-6. X-SHELL : Zn ALLOY
 - 1-7. BACK HOUSING : PBT UL94V-0 ; COLOR : BLACK
 - 1-8. DOWN HOUSING : PBT UL94V-0 ; COLOR : BLACK
 - 1-9. GROUND : BRASS.
- FINISH :
 - 2-1. CONTACT : 10u" MIN. GOLD PLATED
UNDER PLATE : NICKEL
 - 2-2. NUT : NICKEL PLATED
 - 2-3. SHELL : NICKEL PLATED
 - 2-4. X-SHELL : NICKEL PLATED
 - 2-5. GROUND : TIN PLATED
- ELECTRICAL SPECIFICATION :
 - 3-1. Rated current : 0.5A
 - 3-2. Rated Voltage : 50V AC/60V DC
 - 3-3. Water proof : IP67
- Environmental :
 - 4-1. Operation Temperature : -40℃~85℃



NUT



RECOMMENDPANEL CUT-OUT



RECOMMEND P.C.B LAYOUT

DRAWN	Emily Suen	APP'D	Ku Chou	UNIT	mm	TOLERANCE		广东科斯达电子科技有限公司 GUANG DONG KE SI DA ELECTRONIC TECHNOLOGY CO., LTD.	TITLE	WP M12 8PIN X-CODE (F) 前鎖90° DIP+接地			SHEET	1
CHK'D	Ku Chou			SCALE	1:1	.x ±0.20 .xx ±0.10 .xxx ±0.05 .xxxx ±0.01 ANGULA ±1°			PART NO.	WP-08F3-09-11	DWG NO.	QC9966	VERSION	