

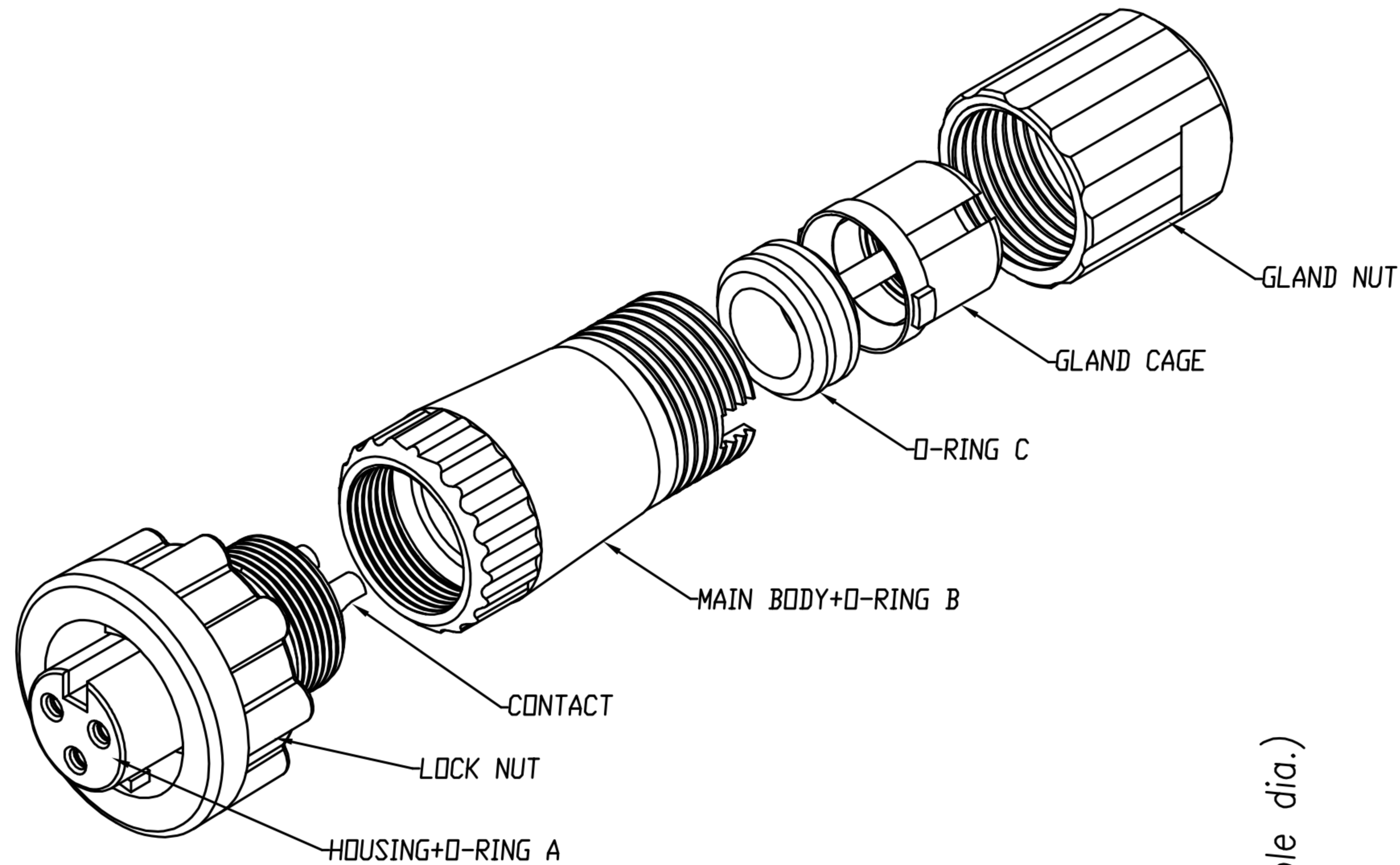
CUSTOMER DRAWING

REV.	DESCRIPTION	APPROVED BY	DATE	ECN NO.
△A	RELEASE	Ku Chou	28/01/19'	
△B				
△C				

TABLE A

2 PIN	3 PIN
WP-02F2-60-11	WP-03F2-112-11

PIN ASSIGMENTS  
FRONT VIEW



1. MATERIAL :

- 1-1. HOUSING : PA66
- 1-2. CONTACT : BRASS
- 1-3. O-RING A : SILICONE
- 1-4. LOCK NUT : PA66
- 1-5. MAIN BODY : PA66
- 1-6. O-RING B : EPDM
- 1-7. O-RING C : NBR
- 1-8. GLAND CAGE : PA66
- 1-9. GLAND NUT : PA66

2. FINISH :

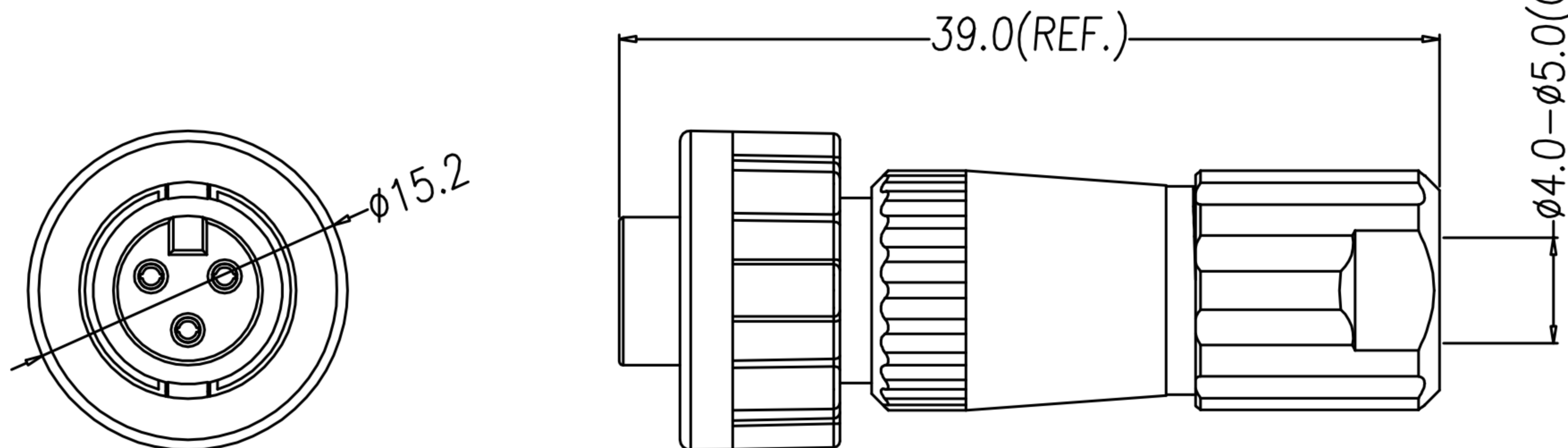
- 2-1. CONTACT : GOLD FLASH PLATED.

3. ELECTRICAL SPECIFICATION :

- 3-1. Rated current : 5A
- 3-2. Rated voltage : 250V
- 3-3. Water proof : IP67

4. Environmental :

- 4-1. Operation Temperature : -20℃~80℃



DRAWN	Emily Suen	APP'D	Ku Chou	UNIT	mm	TOLERANCE		广东科斯达电子科技有限公司 GUANG DONG KE SI DA ELECTRONIC TECHNOLOGY CO., LTD.	TITLE	WP A SIZE F CONN F PIN (LOCK BAYONET) ASSEMBLY TYPE			SHEET	1 VERSION A
CHK'D	Ku Chou			SCALE	1:1	.x ±0.20 .xx ±0.10 .xxx ±0.05 .xxxx ±0.03 ANGULA ±1°			PART NO.	SEE TABLE A	DWG NO.	QC8940		