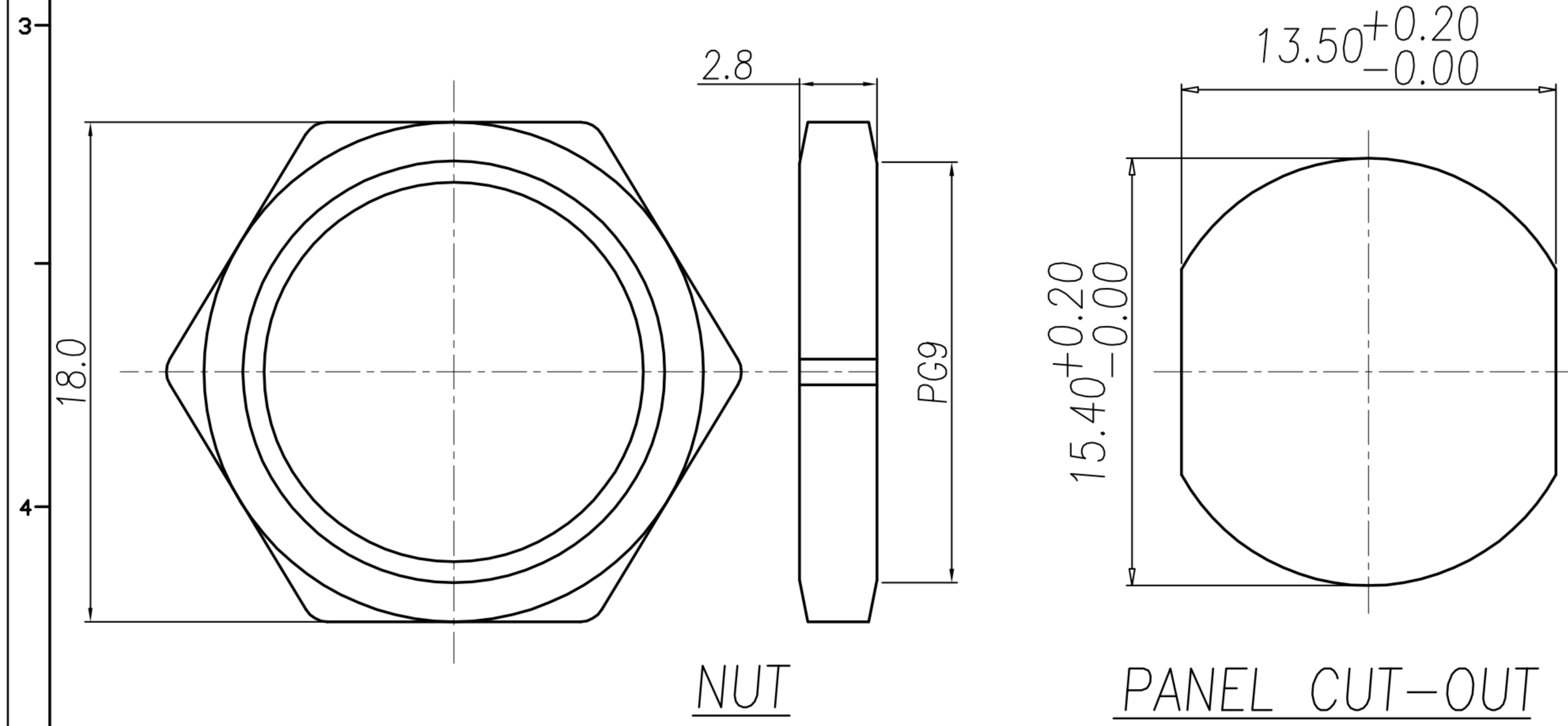


REV.	DESCRIPTION	APPROVED BY	DATE	ECN NO.
A	RELEASE	Ku Chou	05/09/19'	
B				
C				

Table A

WP-04F2-257-11	WP-03F2-146-11	WP-02F2-86-11



- MATERIAL :
  - 1-1. HOUSING : PA66 UL94V-0 ; COLOR : BLACK
  - 1-2. CONTACT : BRASS
  - 1-3. SHELL : BRASS
  - 1-4. O-RING : EPDM
  - 1-5. NUT : BRASS
- FINISH :
  - 2-1. CONTACT : 10u" MIN. GOLD PLATED  
UNDER PLATE : NICKEL
  - 2-2. SHELL : NICKEL PLATED
  - 2-3. NUT : NICKEL PLATED
- ELECTRICAL SPECIFICATION :
  - 3-1. Rated current : 12A
  - 3-2. Rated Voltage : 63V
  - 3-3. Water proof: IP67/68
- Environmental :
  - 4-1. Operation Temperature : -40℃~105℃