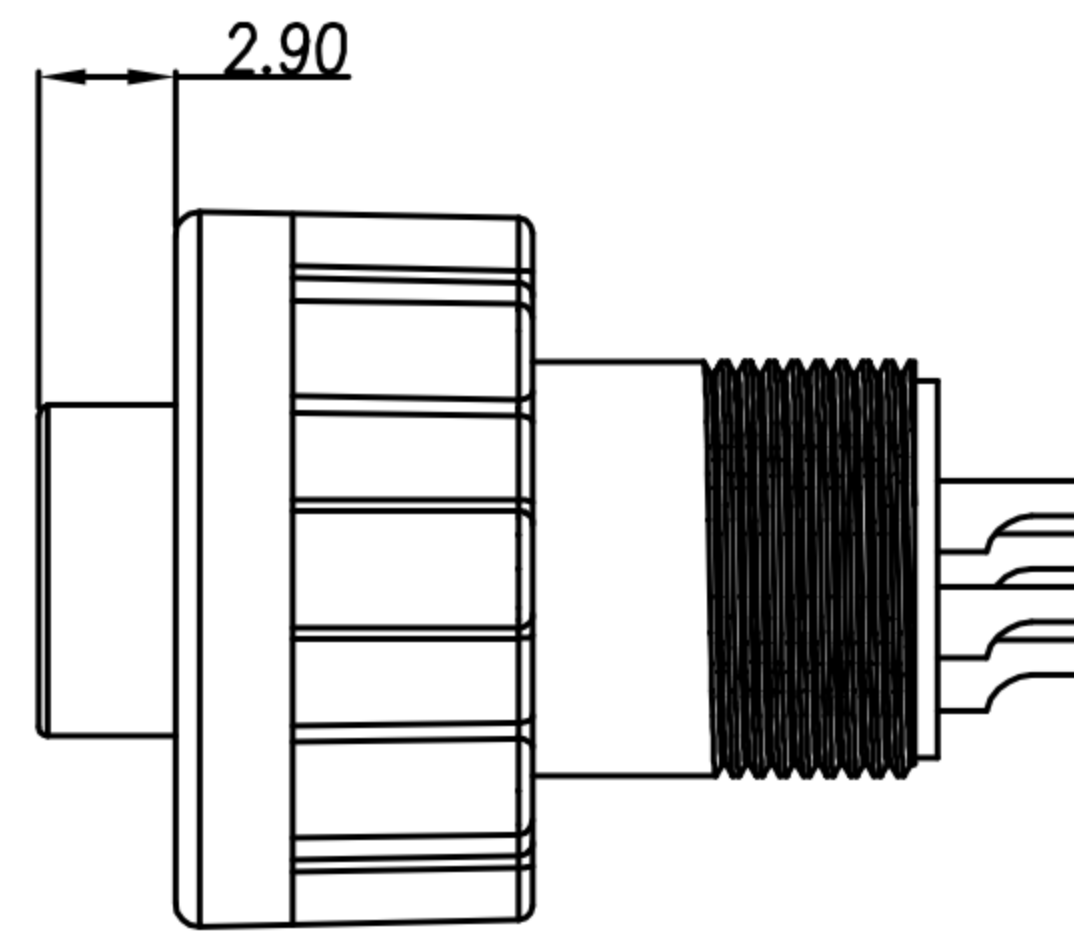
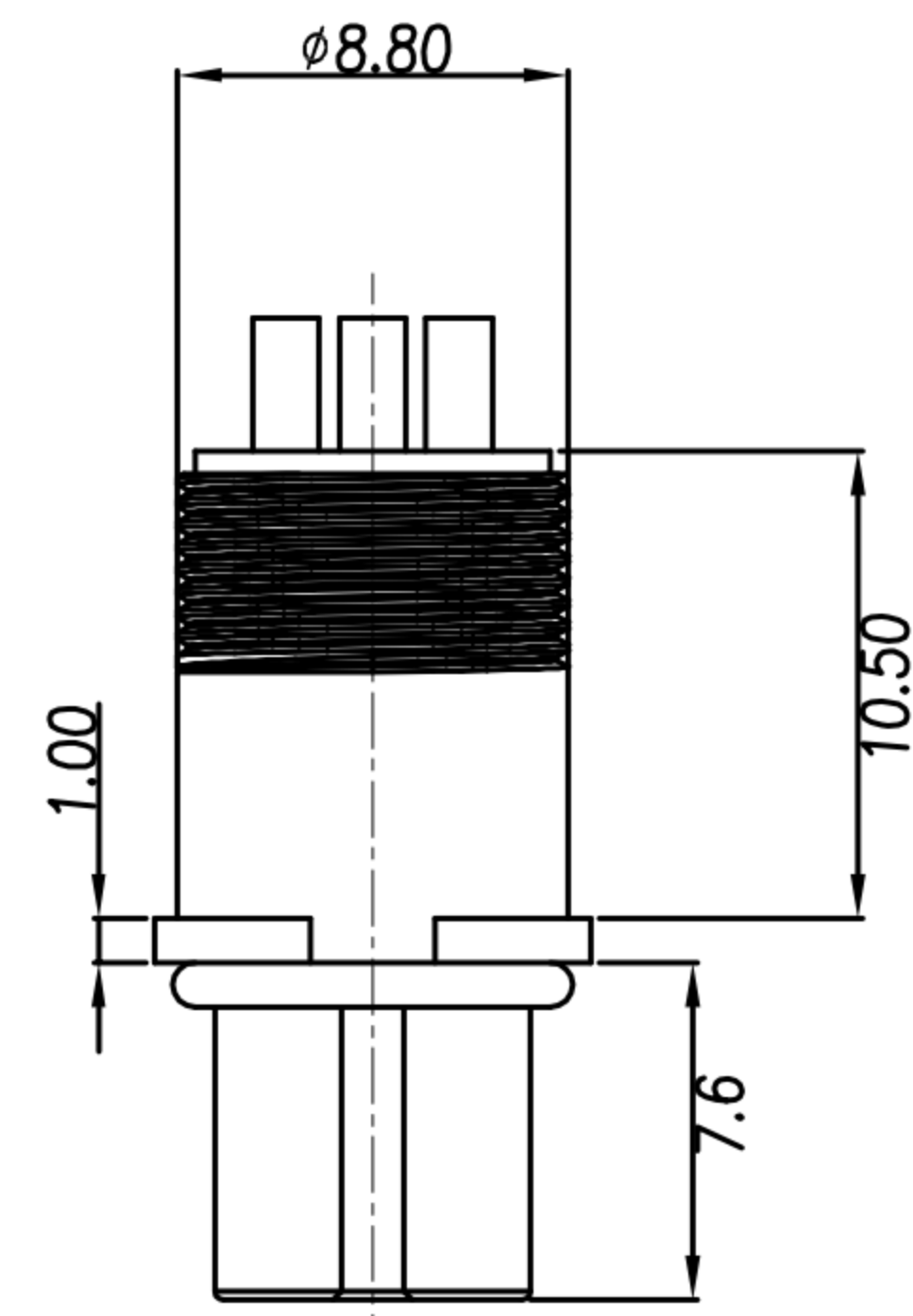


CUSTOMER DRAWING

REV.	DESCRIPTION	APPROVED BY	DATE	ECN NO.
A	RELEASE	Ku Chou	16/07/18'	
B				
C				



ASS'Y

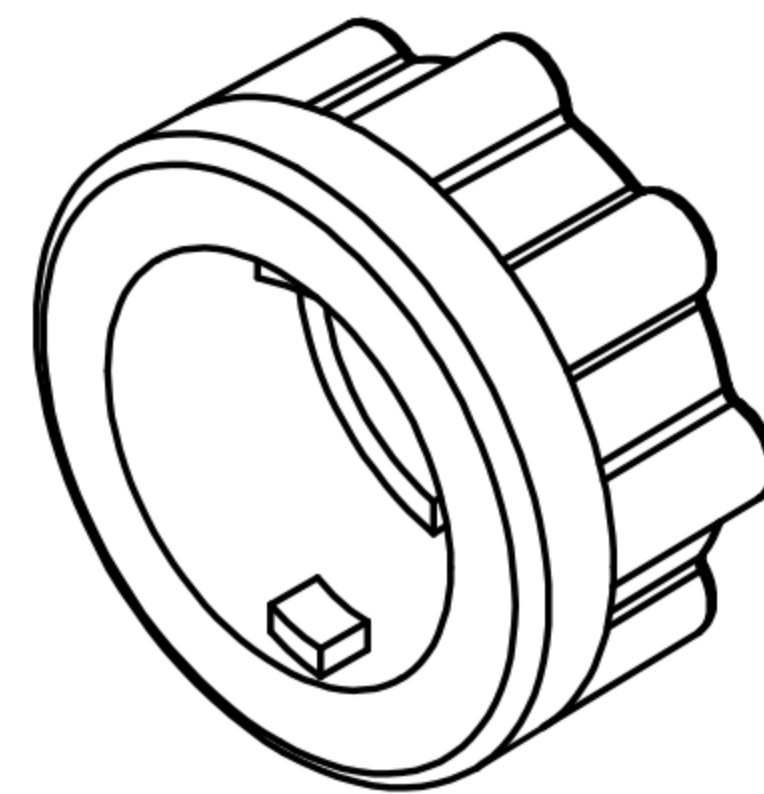
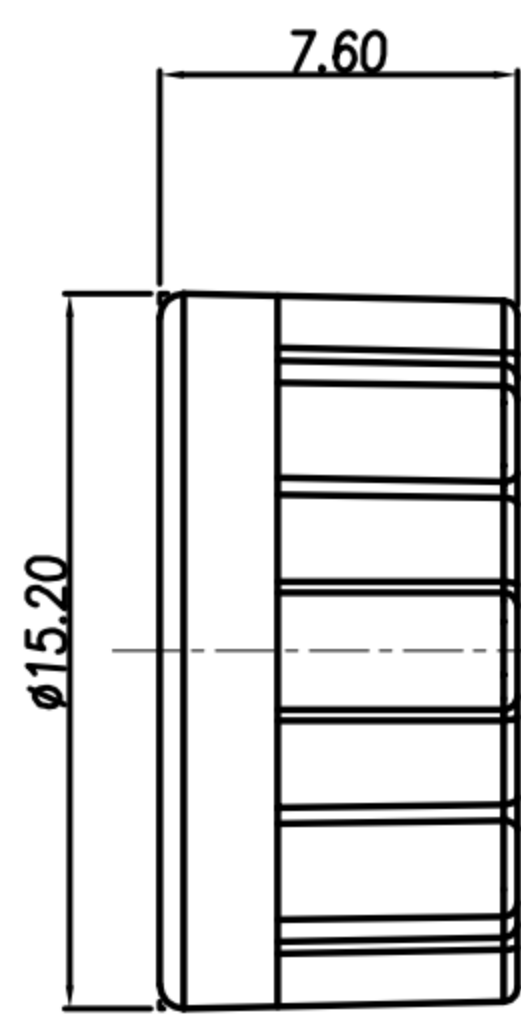
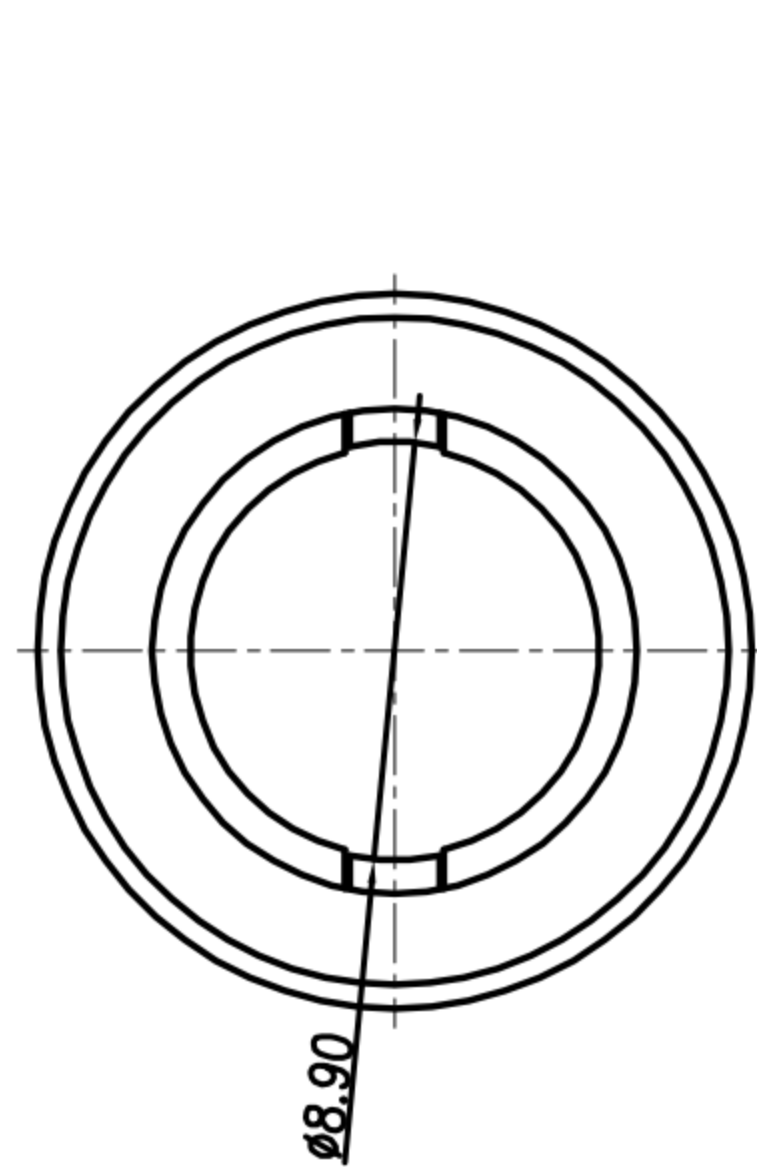
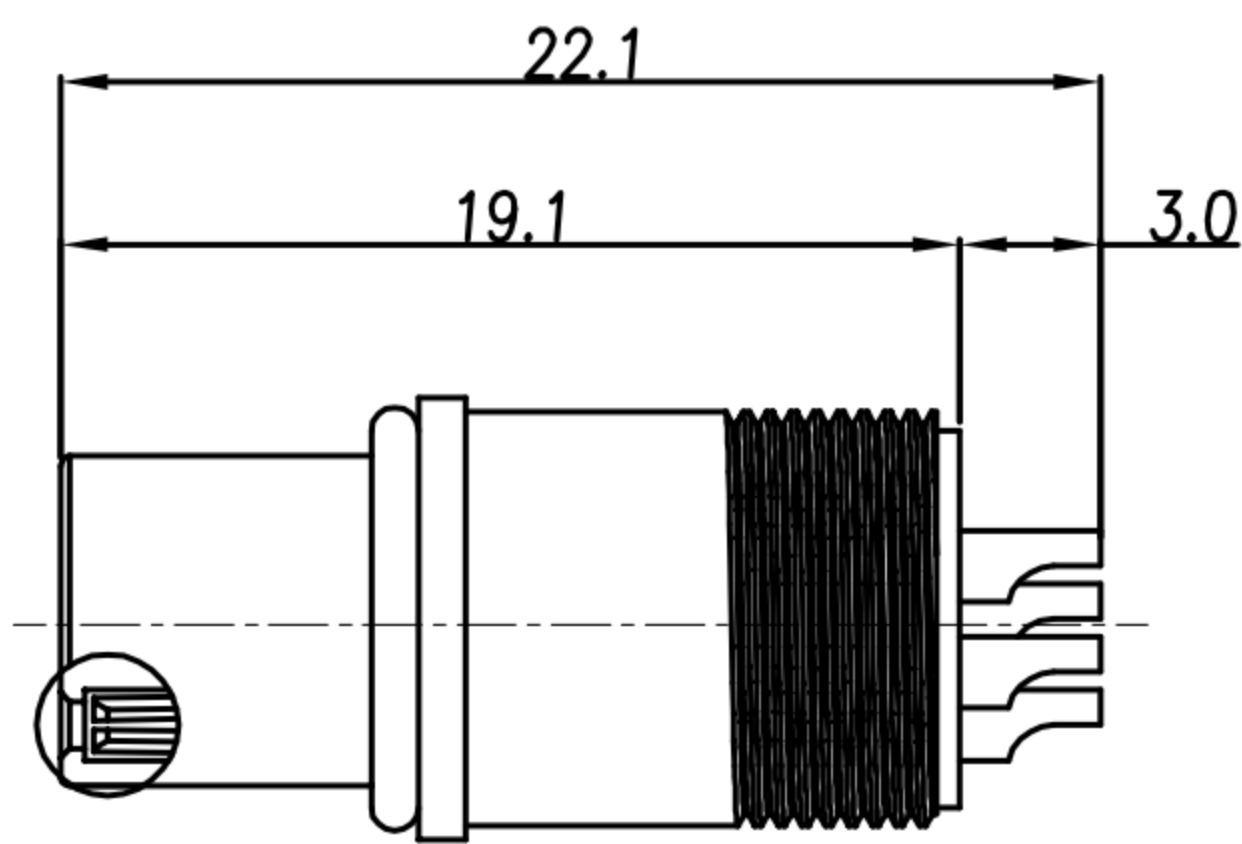
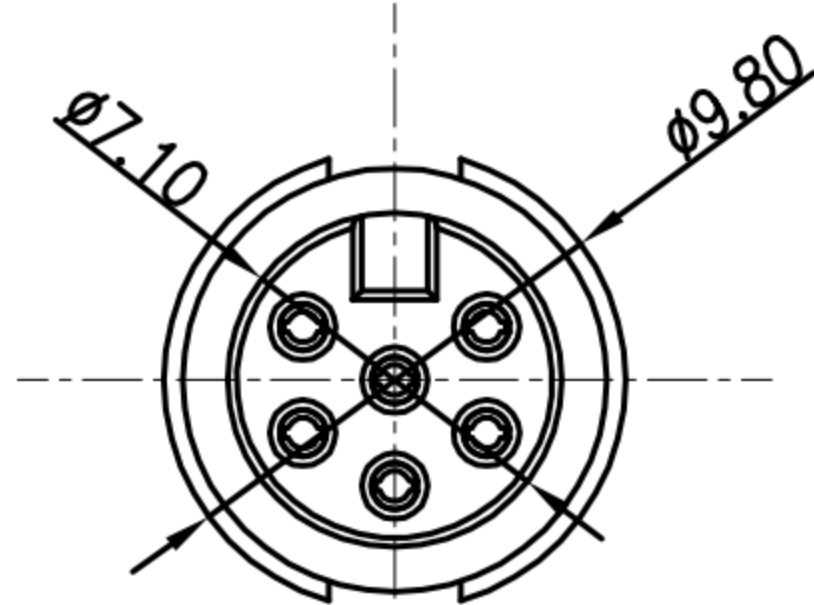


TABLE A

4 PIN	5 PIN	6 PIN
WP-04F1-02-11	WP-05F1-03-11	WP-06F1-01-11

PIN ASSIGMENTS  
FRONT VIEW

- MATERIAL :
  - 1-1. HOUSING : PA66
  - 1-2. CONTACT : BRASS
  - 1-3. O-RING : SILICONE
  - 1-4. LOCK NUT : PA66
- FINISH :
  - 2-1. CONTACT : GOLD FLASH PLATED.
- ELECTRICAL SPECIFICATION :
  - 3-1. Rated current : 2A
  - 3-2. Rated voltage : 250V
  - 3-3. Water proof : IP67
- Environmental :
  - 4-1. Operation Temperature : -20°C~80°C

DRAWN	Emily Suen	APP'D	Ku Chou	UNIT	mm	TOLERANCE			广东科斯达电子科技有限公司 GUANG DONG KE SI DA ELECTRONIC TECHNOLOGY CO., LTD.	TITLE	WP (F CONN. F PIN) (LOCK) A SIZE 焊線式-2A			SHEET	
CHK'D	Ku Chou			SCALE	1:1					PART NO.	SEE TABLE A	DWG NO.	QC8920	VERSION	