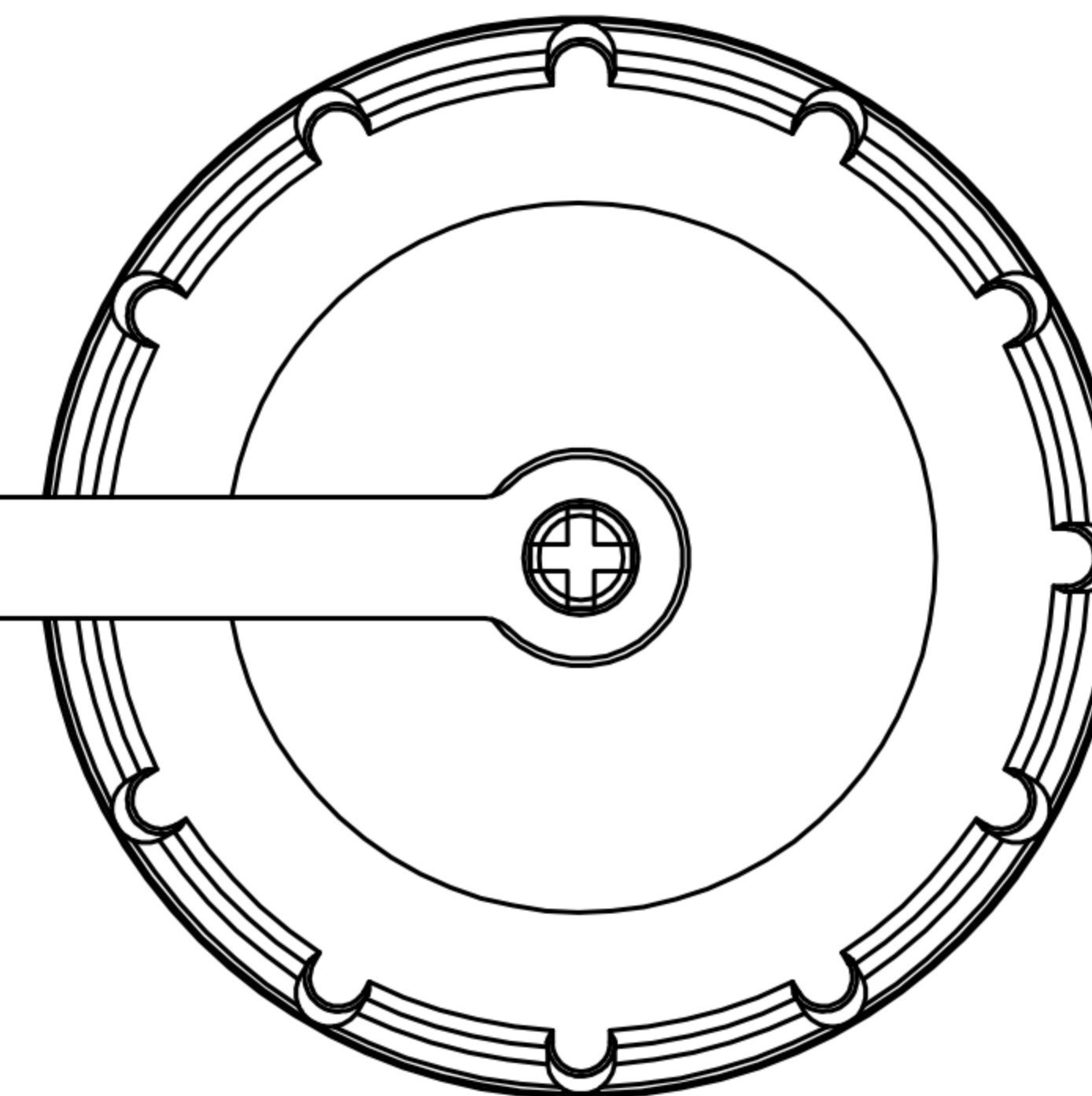
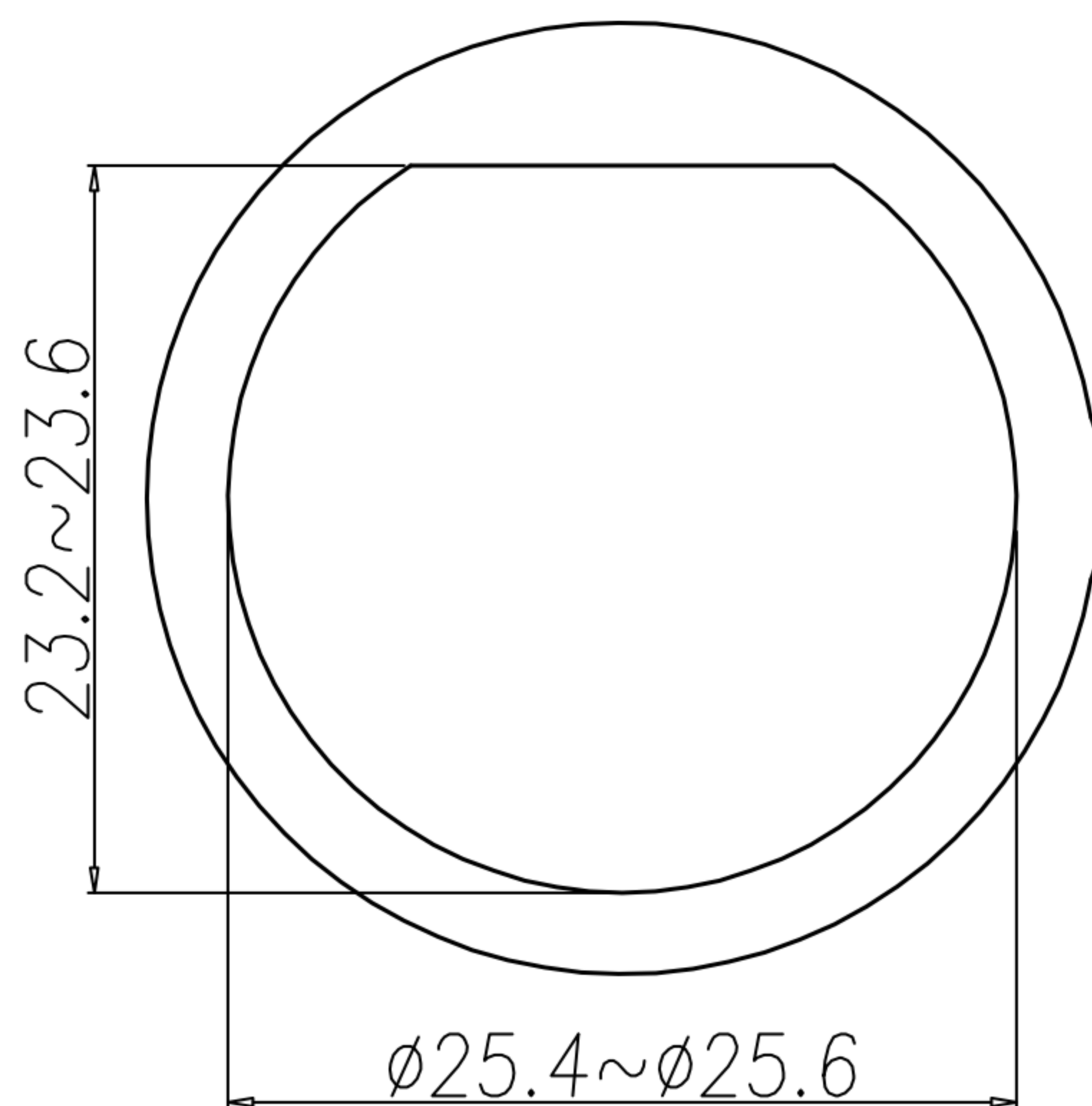


CUSTOMER DRAWING

REV.	DESCRIPTION	APPVL. BY	DATE	ECN NO.
A	RELEASE	Ku Chou	24/12/18*	
B				
C				



- 1-1. CAP : PA66
- 1-2. RUBBER LEAD : PVC
- 1-3. GASKET : SILICON
- 1-4. SCREW : STEEL

DRAWN	Emily Suen	APP'D	Ku Chou	UNIT	mm	TOLERANCE			TITLE	D SIZE Waterproof Cover (Screw Thread)			SHEET	
CHK'D	Ku Chou			SCALE	1:1	.x ±0.20 .xx ±0.10 .xxx ±0.05 .xxxx ±0.03 ANGULA ±1°			PART NO.	NY-WP1363-01	DWG NO.	QC8900	VERSION	