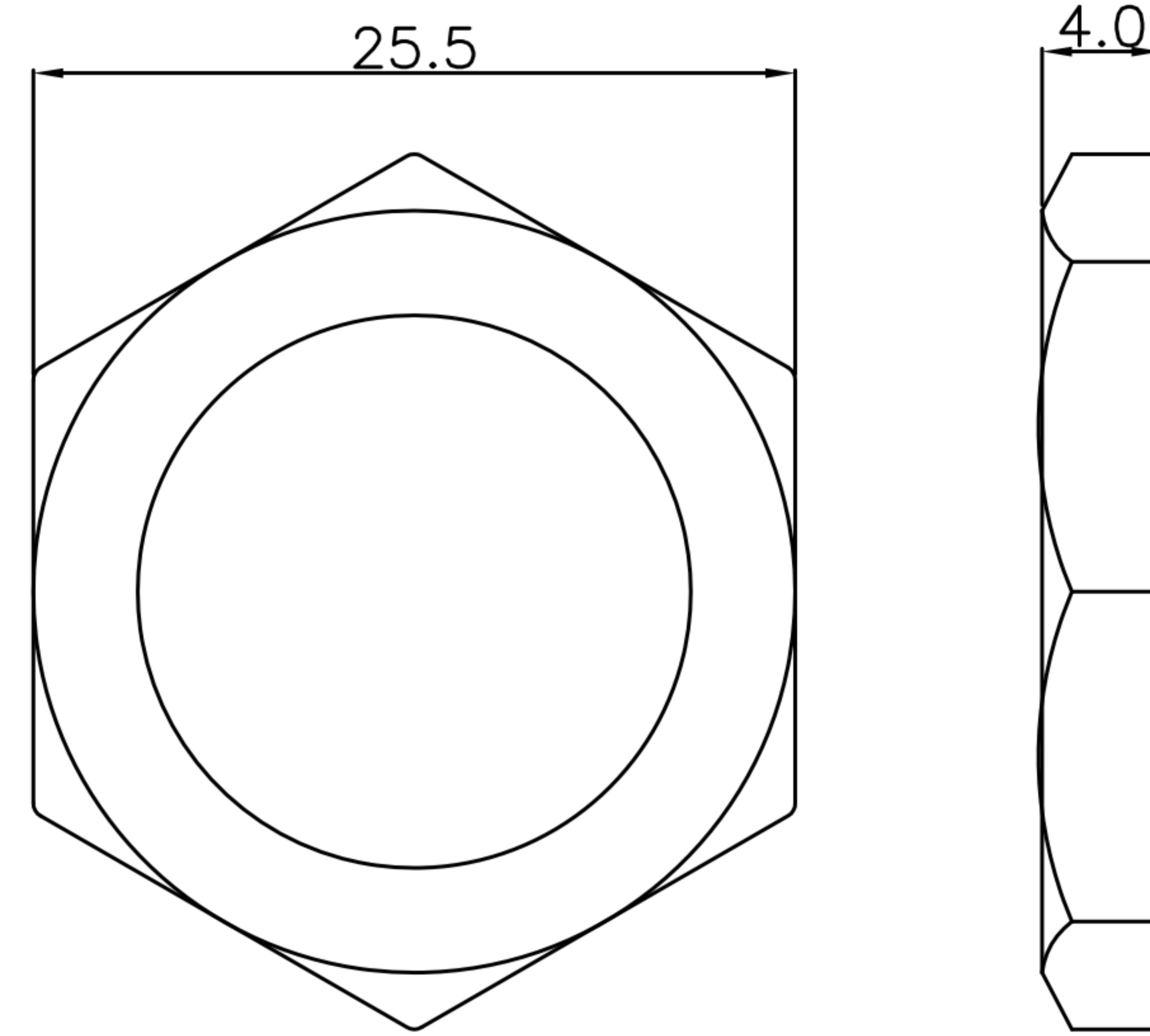
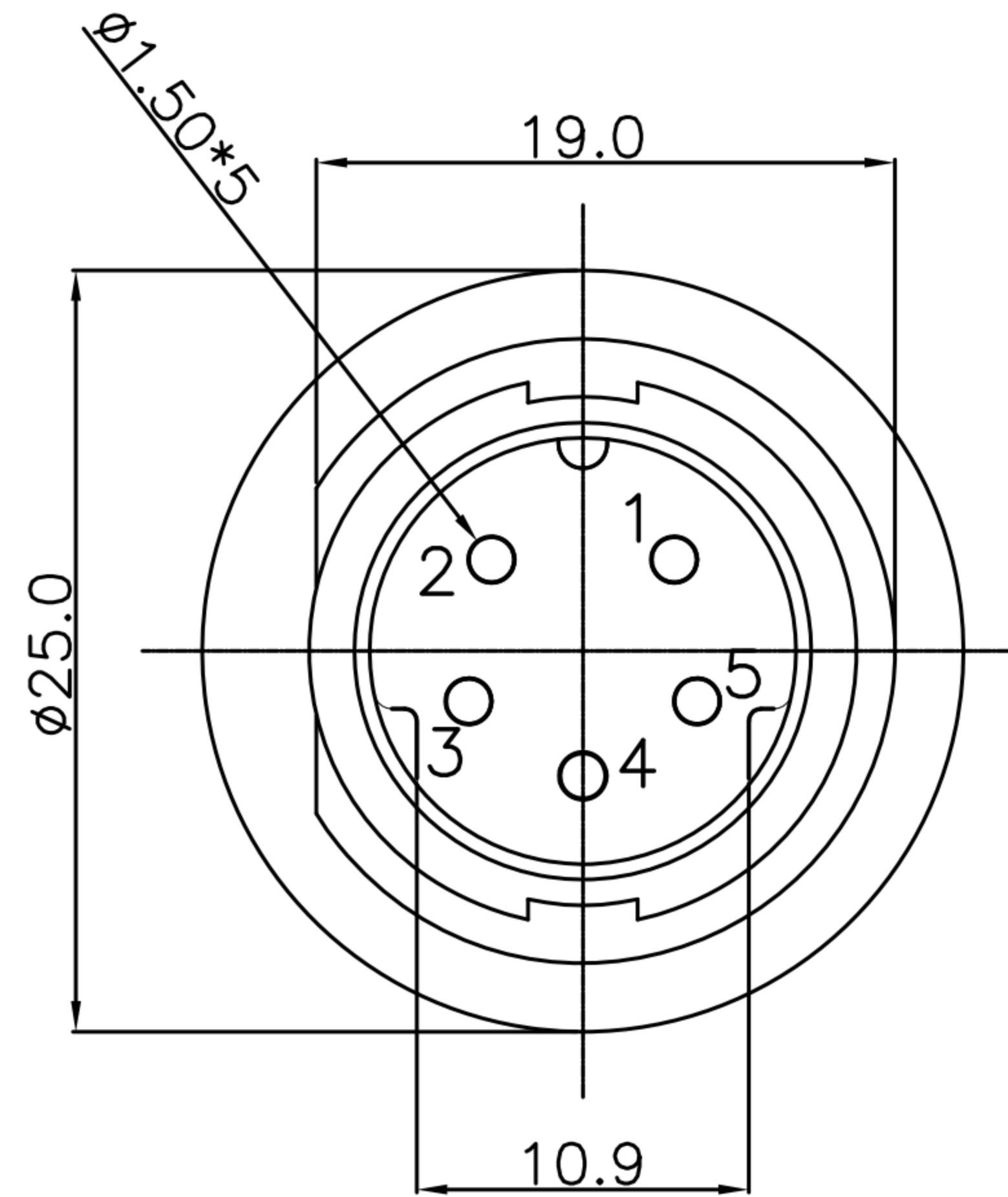
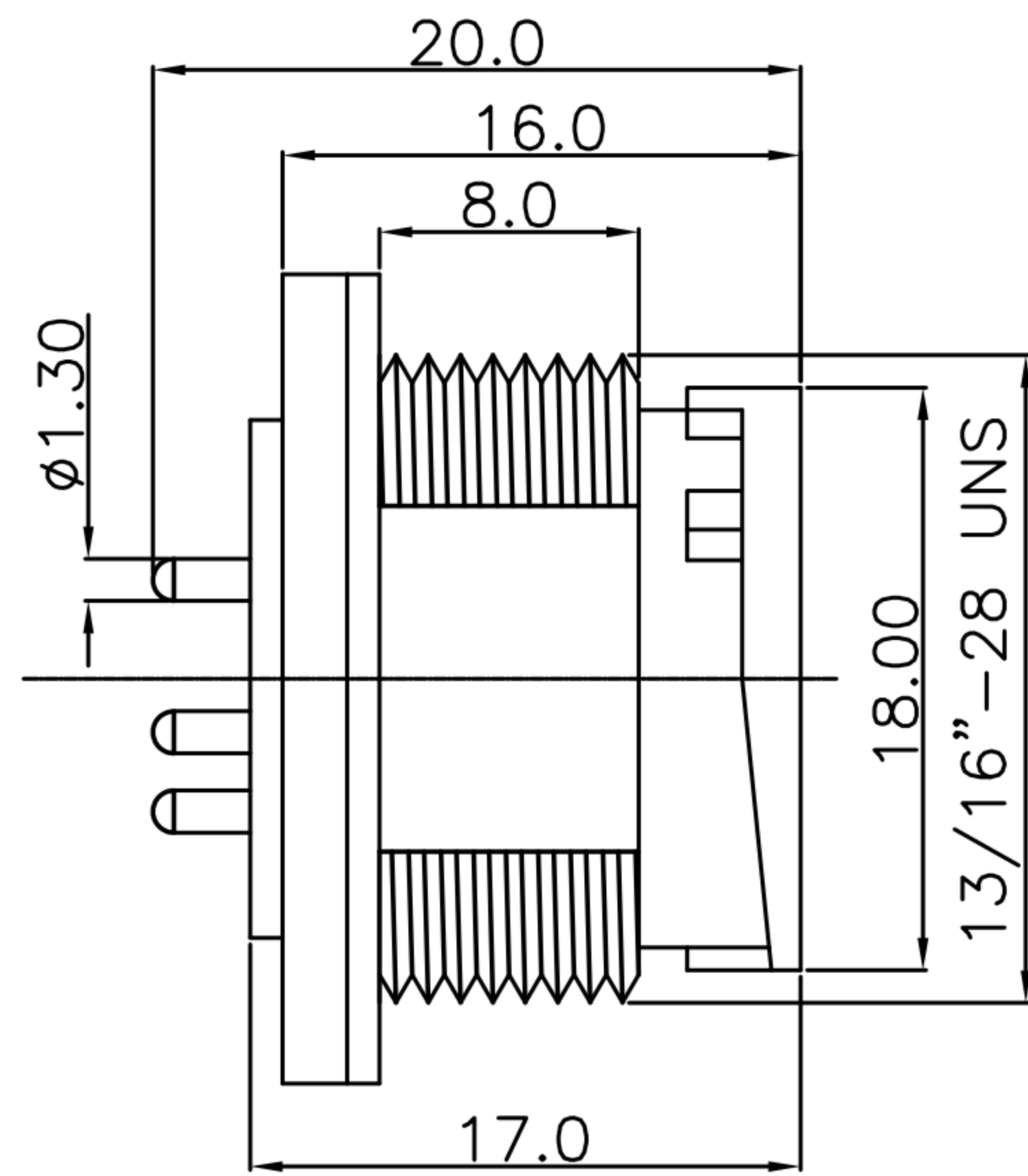
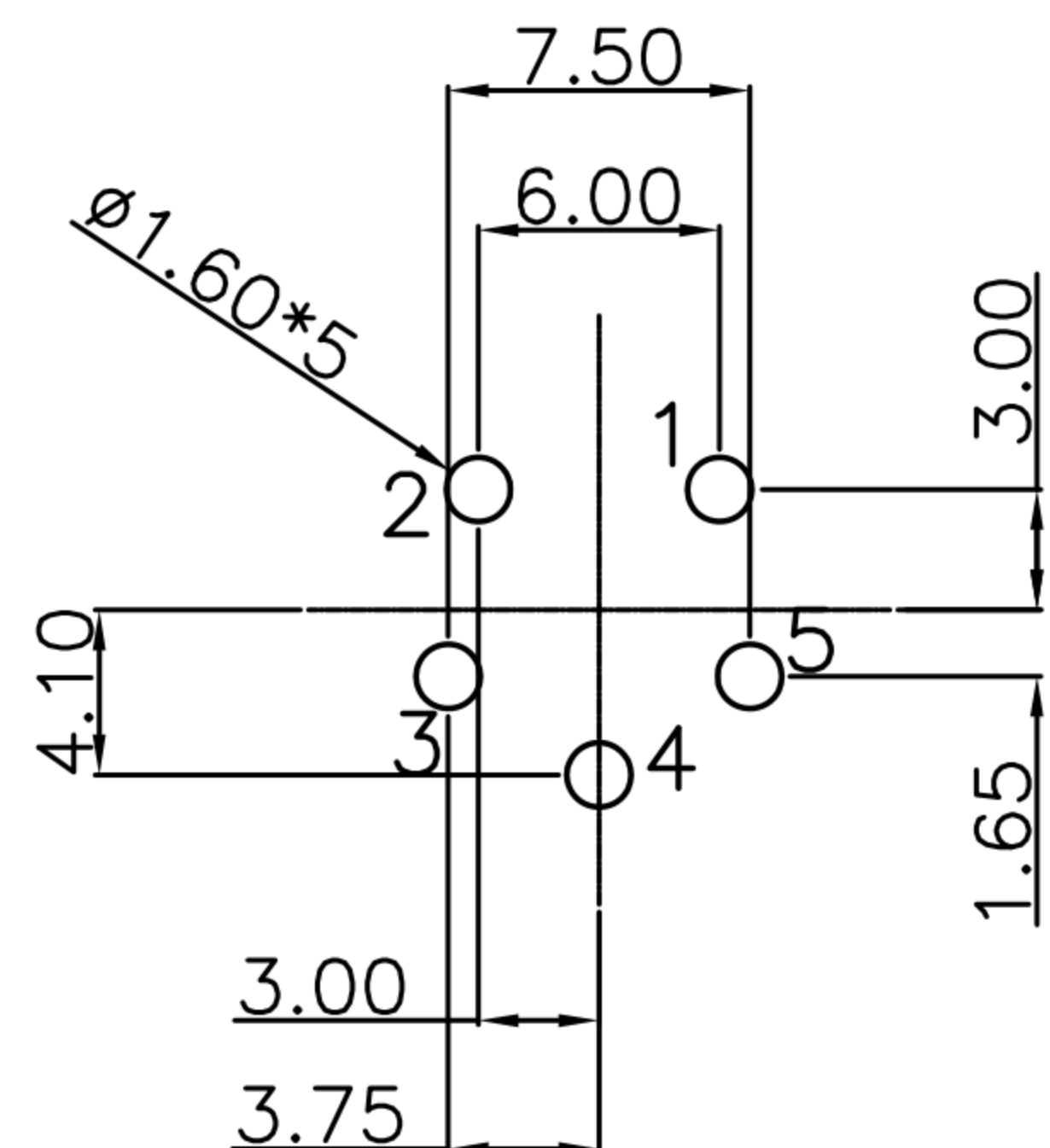


CUSTOMER DRAWING

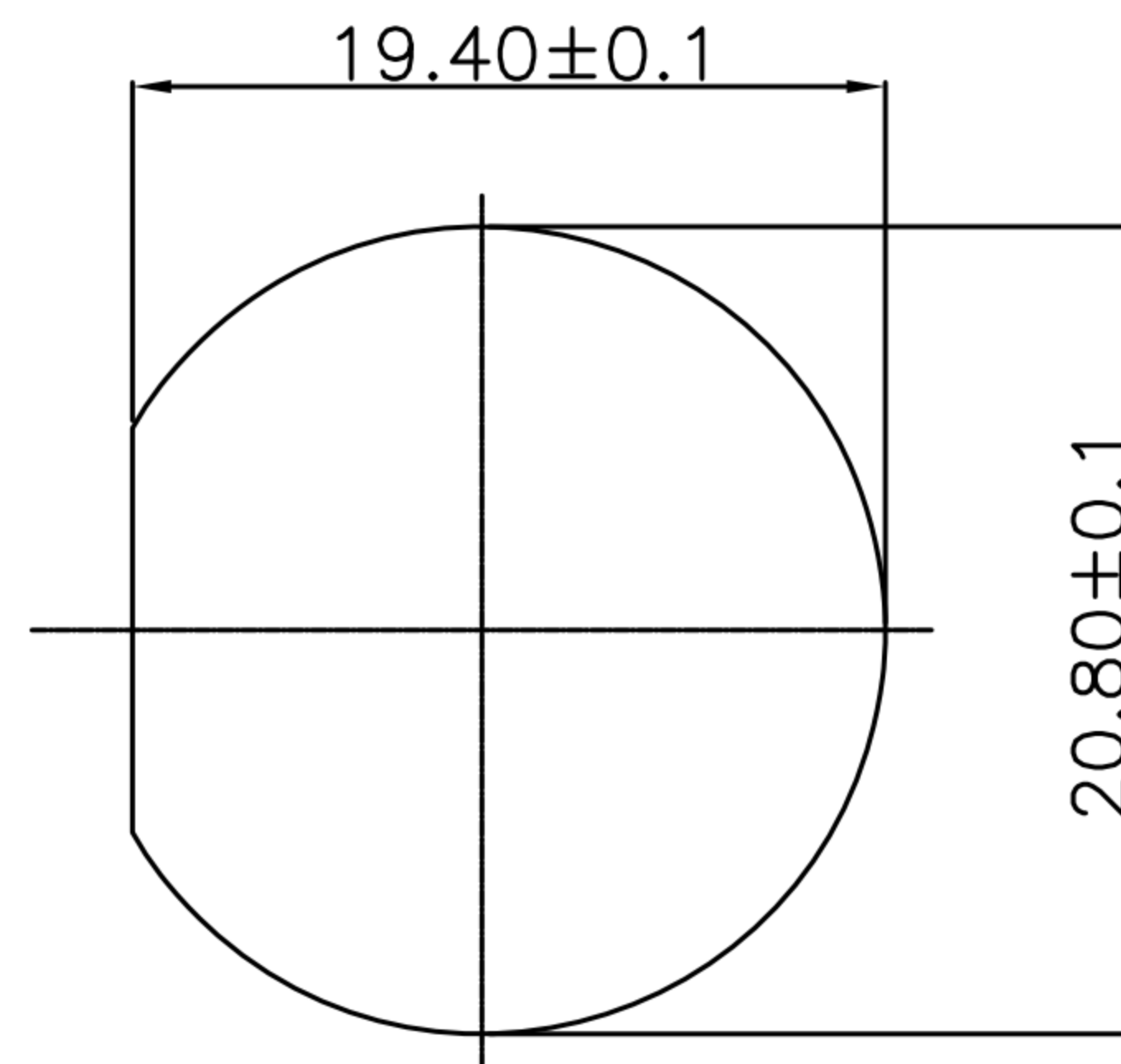
| REV. | DESCRIPTION | APPROVED BY | DATE | ECN NO. |
|------|-------------|-------------|------|---------|
| A | RELEASE | Fido Weng | | |
| B | | | | |
| C | | | | |



HEX NUT



RECOMMEND
PCB LAYOUT



RECOMMEND
PANEL HOLE

- MATERIAL :
 - 1-1. HOUSING : PA66
 - 1-2. CONTACT : BRASS
 - 1-3. GASKET : SILICONE
 - 1-4. HEX NUT : PA66
- FINISH :
 - 2-1. CONTACT : GOLD FLASH PLATED.
- ELECTRICAL SPECIFICATION :
 - 3-1. Rated current : 10A
 - 3-2. Rated voltage : 250V
 - 3-3. Water proof : IP67
- Environmental :
 - 4-1. Operation Temperature : -40°C~105°C

| | | | | | | | | | | | | | | |
|-------|------------|-------|------------|-------|-----|-----------|--|--|----------|--------------------------------|---------|--------|---------|--|
| DRAWN | Ku Chou | APP'D | Emily Suen | UNIT | mm | TOLERANCE | | | TITLE | WP 5(M) (LOCK) C-TYPE 板端前鎖DIP式 | | | SHEET | |
| CHK'D | Emily Suen | | | SCALE | 1:1 | | | | PART NO. | WP-05M3-02-11 | DWG NO. | QC8057 | VERSION | |