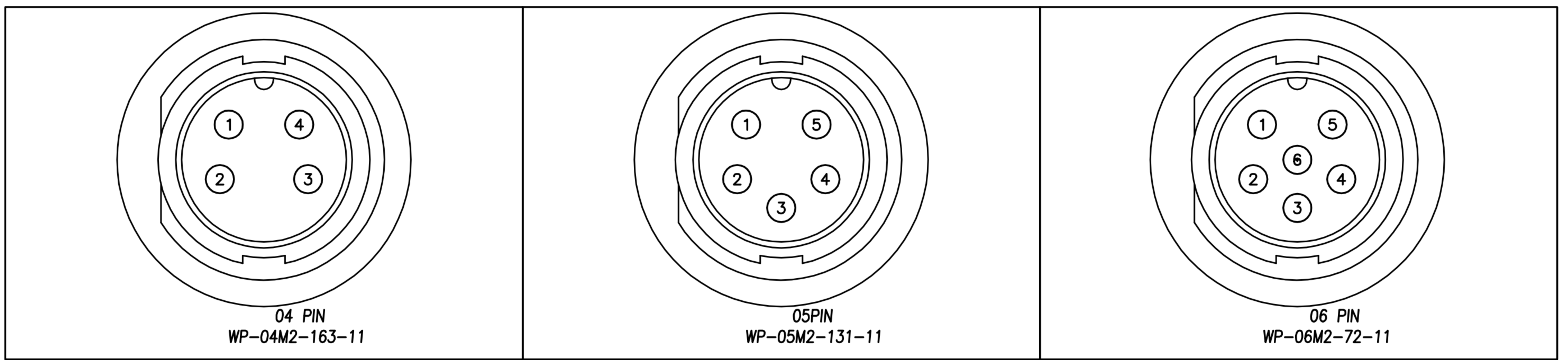


CUSTOMER DRAWING

| REV. | DESCRIPTION | APPROVED BY | DATE | ECN NO. |
|------|-------------|-------------|-----------|---------|
| A | RELEASE | Ku Chou | 18/10/18' | |
| B | | | | |
| C | | | | |

TABLE A

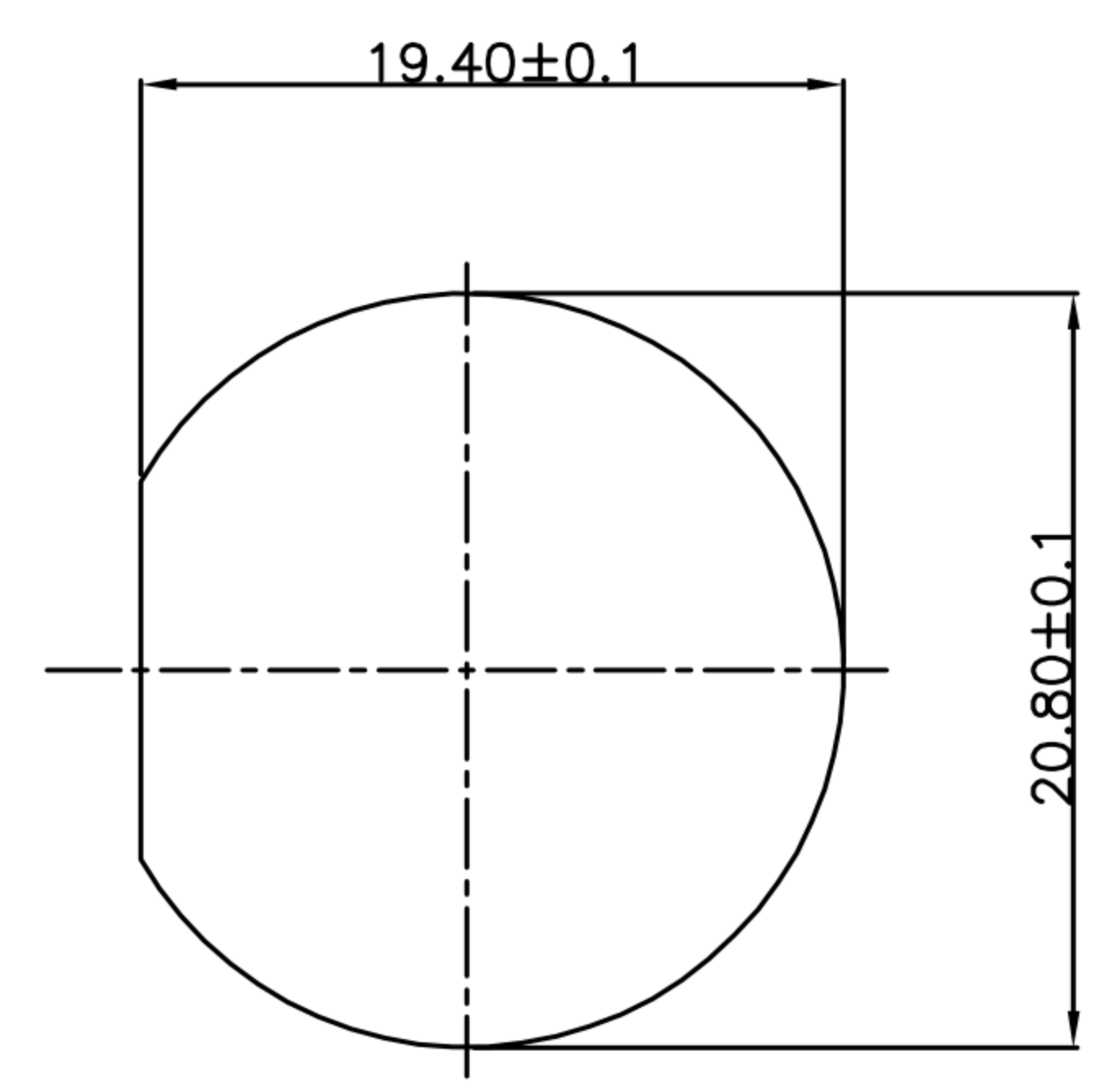
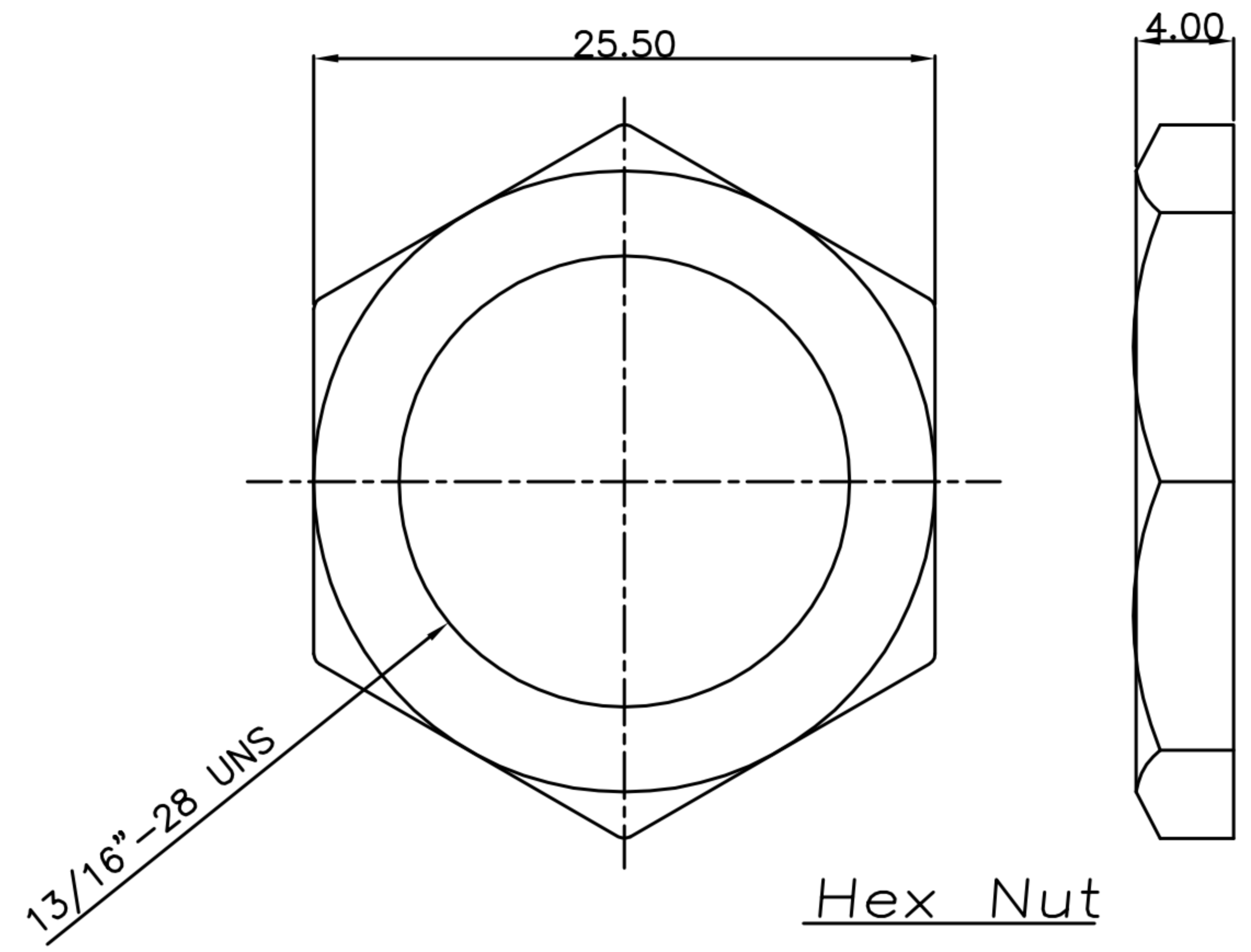
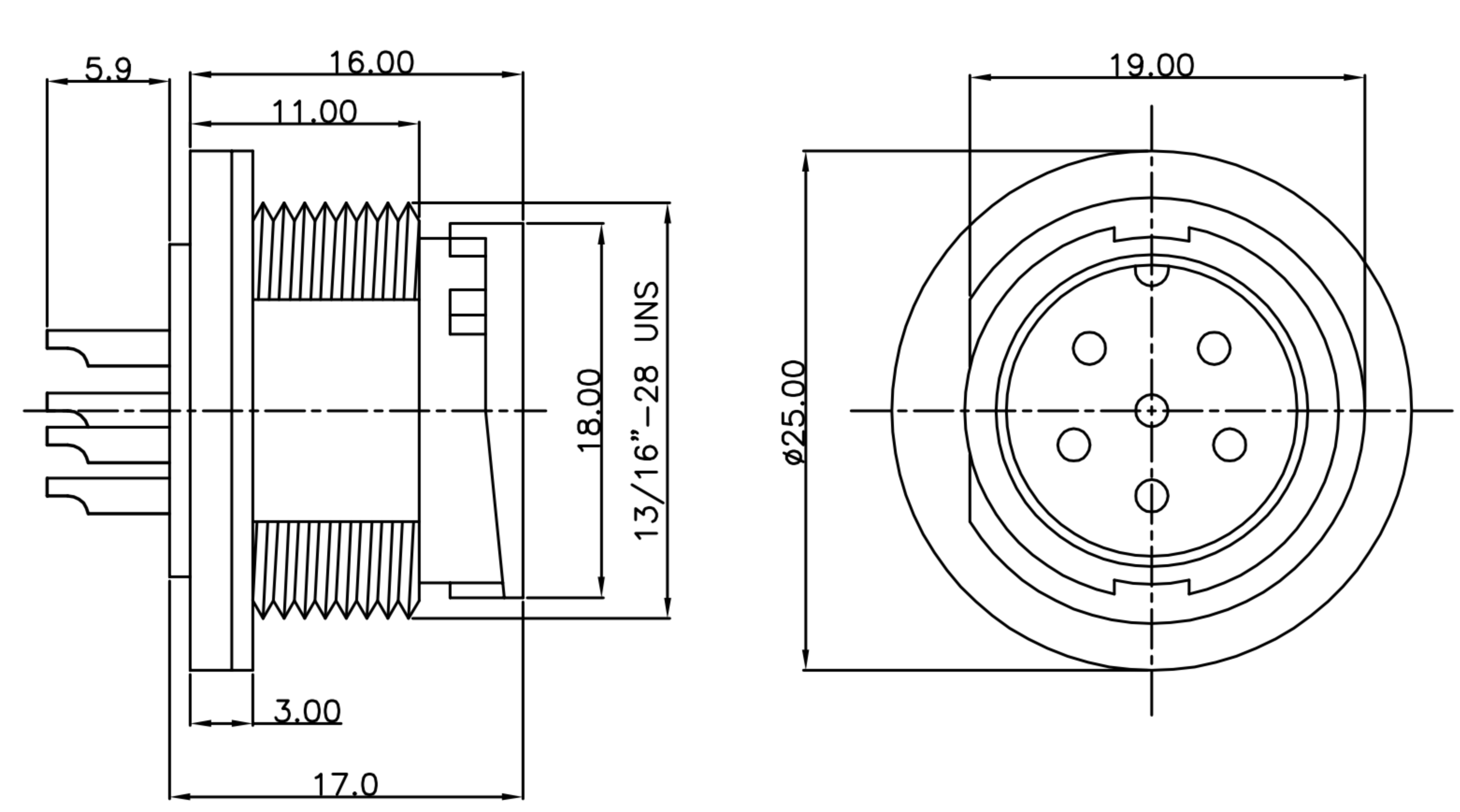


Pin Assignments
Front View

| | | | | | | | | | | | | | | |
|-------|------------|-------|---------|-------|-----|---|--|--|----------|---|---------|--------|---------|-----|
| DRAWN | Emily Suen | APP'D | Ku Chou | UNIT | mm | TOLERANCE .x ±0.20 .xx ±0.10 .xxx ±0.05 .xxxx ±0.03 ANGULA ±1° | | 广东科斯达电子科技有限公司 GUANG DONG KE SI DA ELECTRONIC TECHNOLOGY CO., LTD. | TITLE | WP C Size(M) Front Lock Solder Type(Lock Bayonet) | | | SHEET | 2/2 |
| CHK'D | Ku Chou | | | SCALE | 1:1 | | | | PART NO. | SEE TABLE A | DWG NO. | QC8746 | VERSION | A |

CUSTOMER DRAWING

| REV. | DESCRIPTION | APPROVED BY | DATE | ECN NO. |
|------|-------------|-------------|-----------|---------|
| A | RELEASE | Ku Chou | 18/10/18' | |
| B | | | | |
| C | | | | |



RECOMMEND PANEL CUT-OUT

- MATERIAL :
 - 1-1. HOUSING : PA66
 - 1-2. CONTACT : BRASS
 - 1-3. GASKET : SILICONE
 - 1-4. HEX NUT : PA66
- FINISH :
 - 2-1. CONTACT : GOLD FLASH PLATED.
- ELECTRICAL SPECIFICATION :
 - 3-1. Rated current : 10A
 - 3-2. Rated Voltage : 250V
 - 3-3. Water proof : IP67
- Environmental :
 - 4-1. Operation Temperature : -40℃~105℃

| | | | | | | | | | | | | | | |
|-------|------------|-------|---------|-------|-----|---|--|--|----------|---|---------|--------|---------|-----|
| DRAWN | Emily Suen | APP'D | Ku Chou | UNIT | mm | TOLERANCE .x ±0.20 .xx ±0.10 .xxx ±0.05 .xxxx ±0.03 ANGULA ±1° | | 广东科斯达电子科技有限公司 GUANG DONG KE SI DA ELECTRONIC TECHNOLOGY CO., LTD. | TITLE | WP C Size(M) Front Lock Solder Type(Lock Bayonet) | | | SHEET | 1/2 |
| CHK'D | Ku Chou | | | SCALE | 1:1 | | | | PART NO. | SEE TABLE A | DWG NO. | QC8746 | VERSION | A |