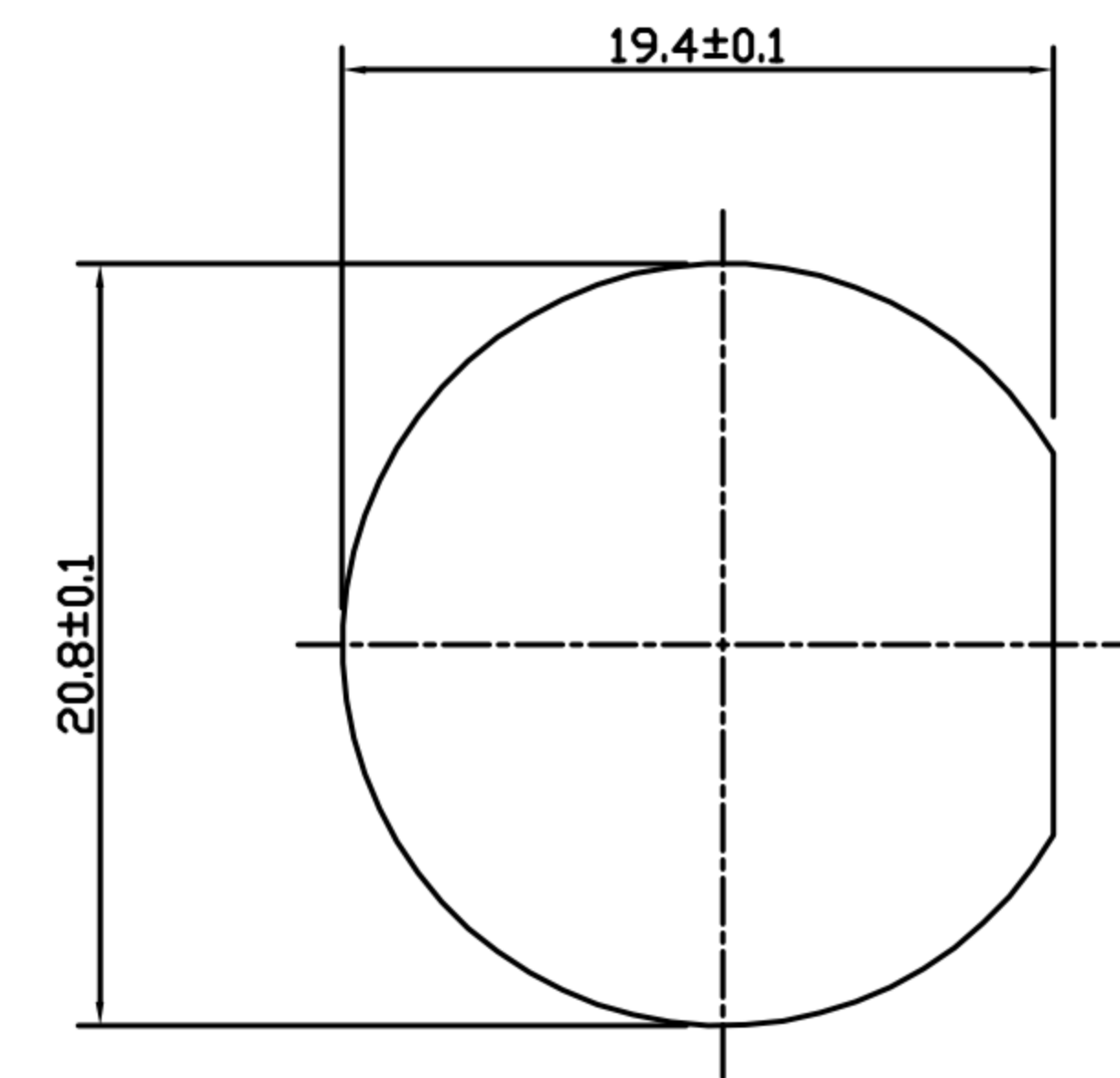
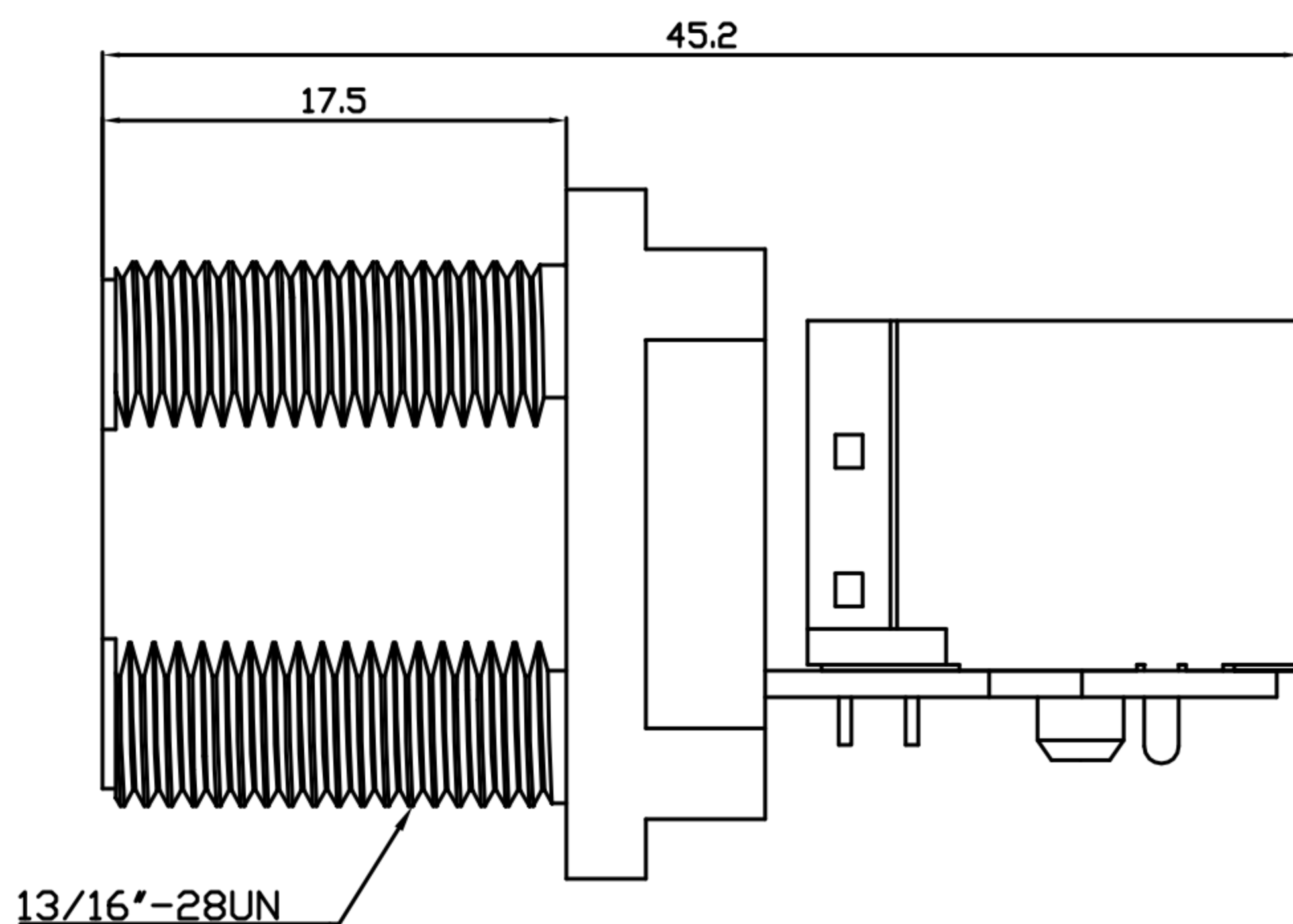
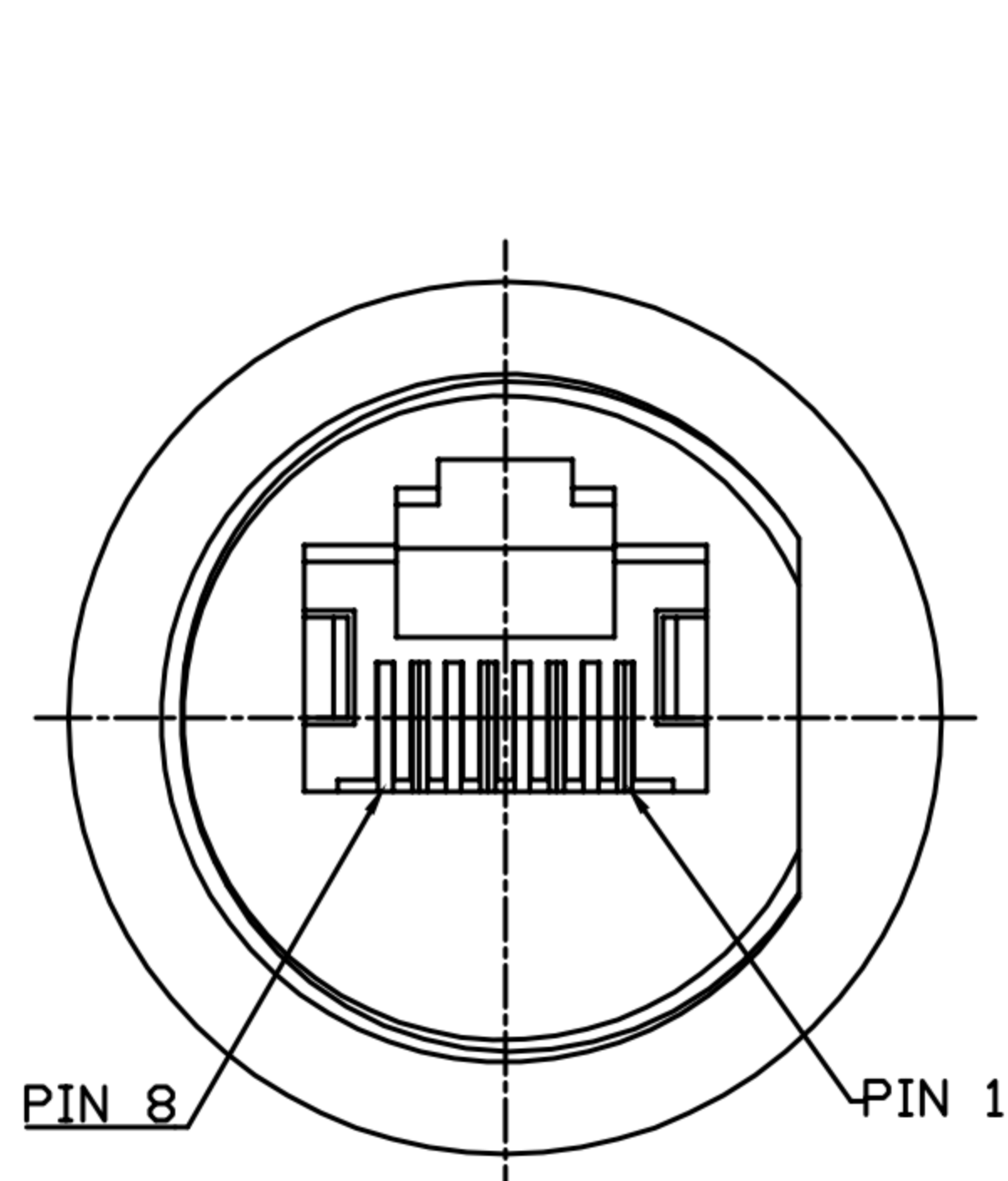
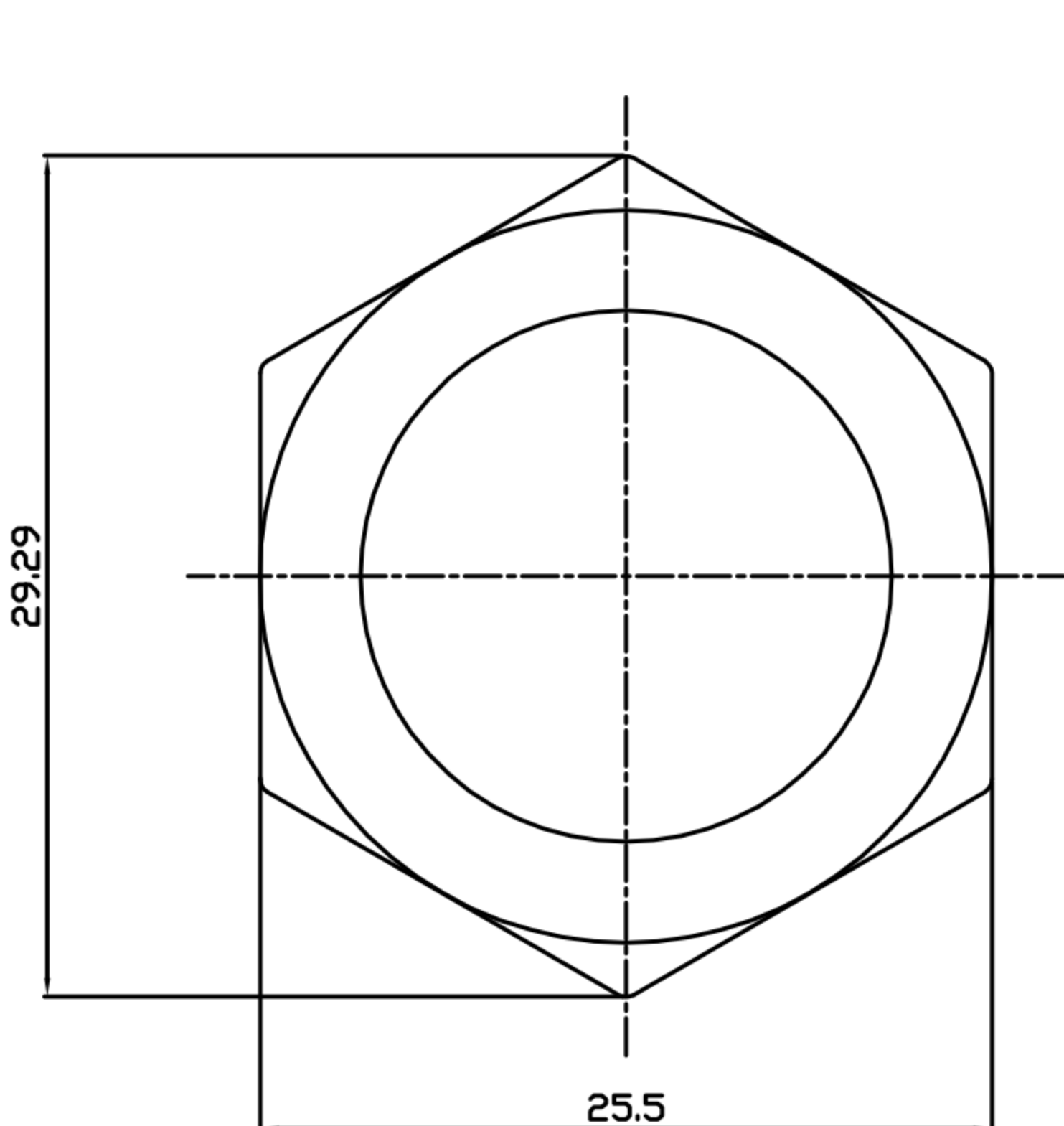


CUSTOMER DRAWING

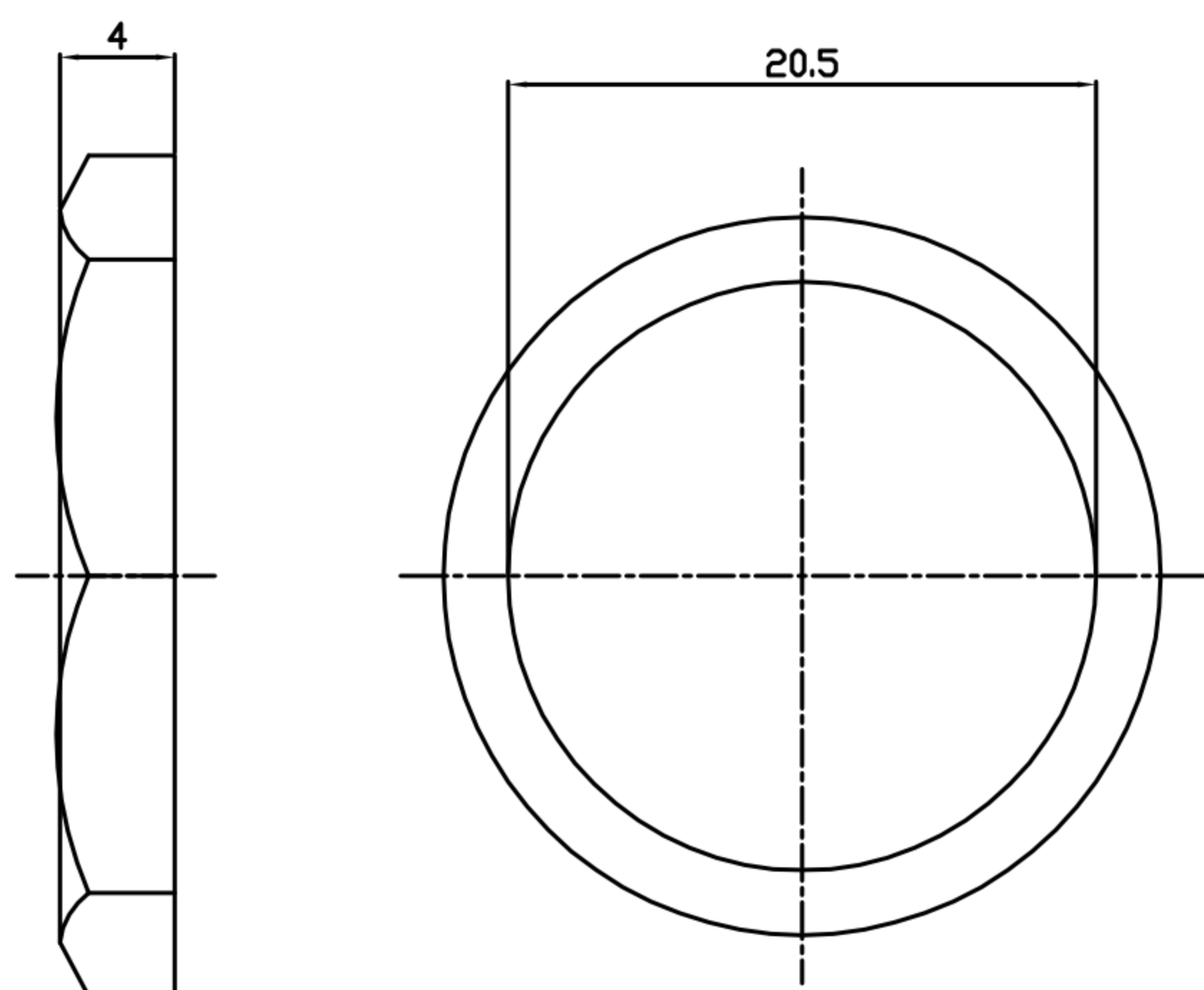
| REV. | DESCRIPTION | APPROVED BY | DATE      | ECN NO. |
|------|-------------|-------------|-----------|---------|
| A    | RELEASE     | KU Chou     | 06/12/18* |         |
| B    |             |             |           |         |
| C    |             |             |           |         |



Recommended Panel Cut-Out



Nut



Gasket

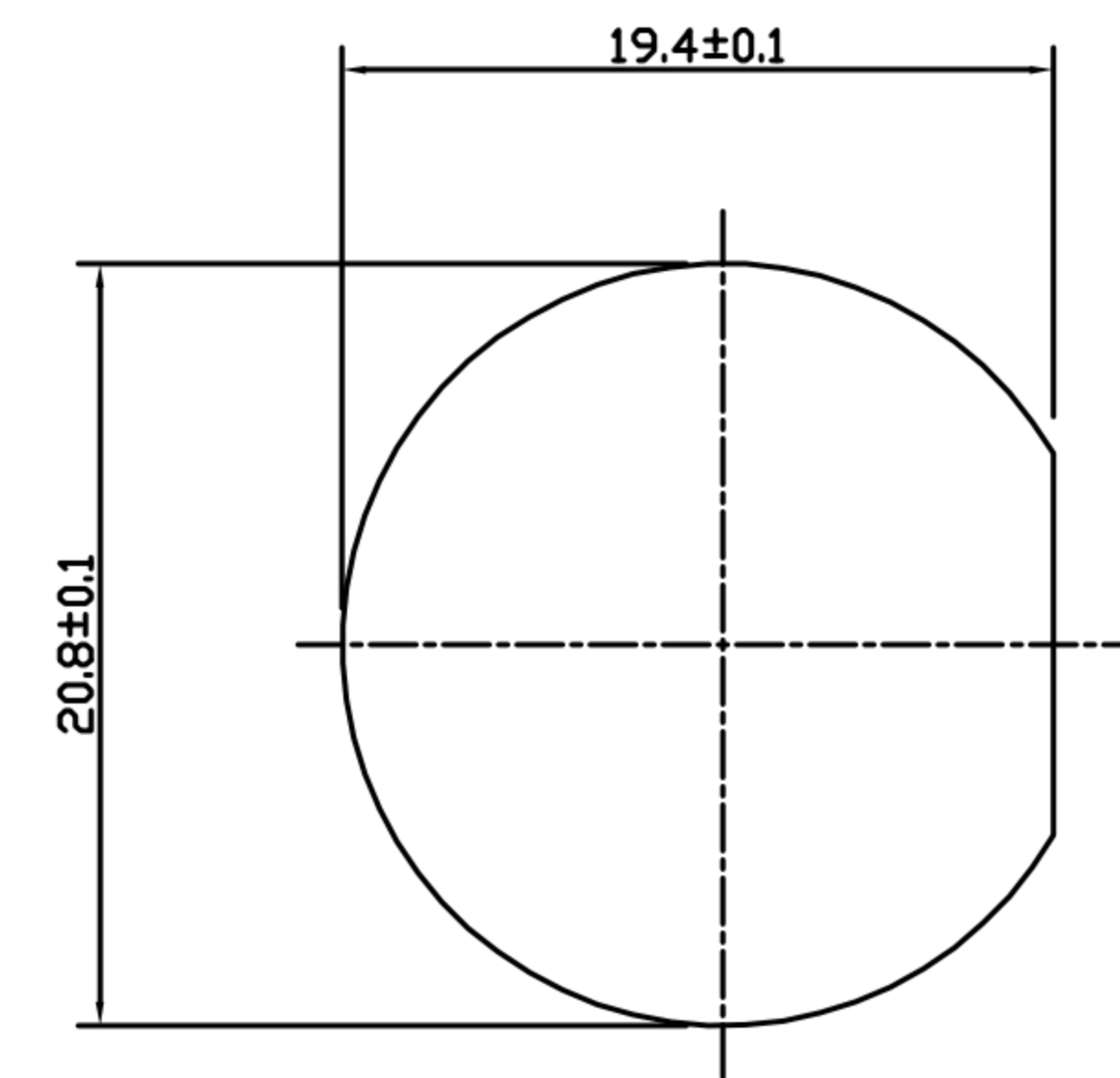
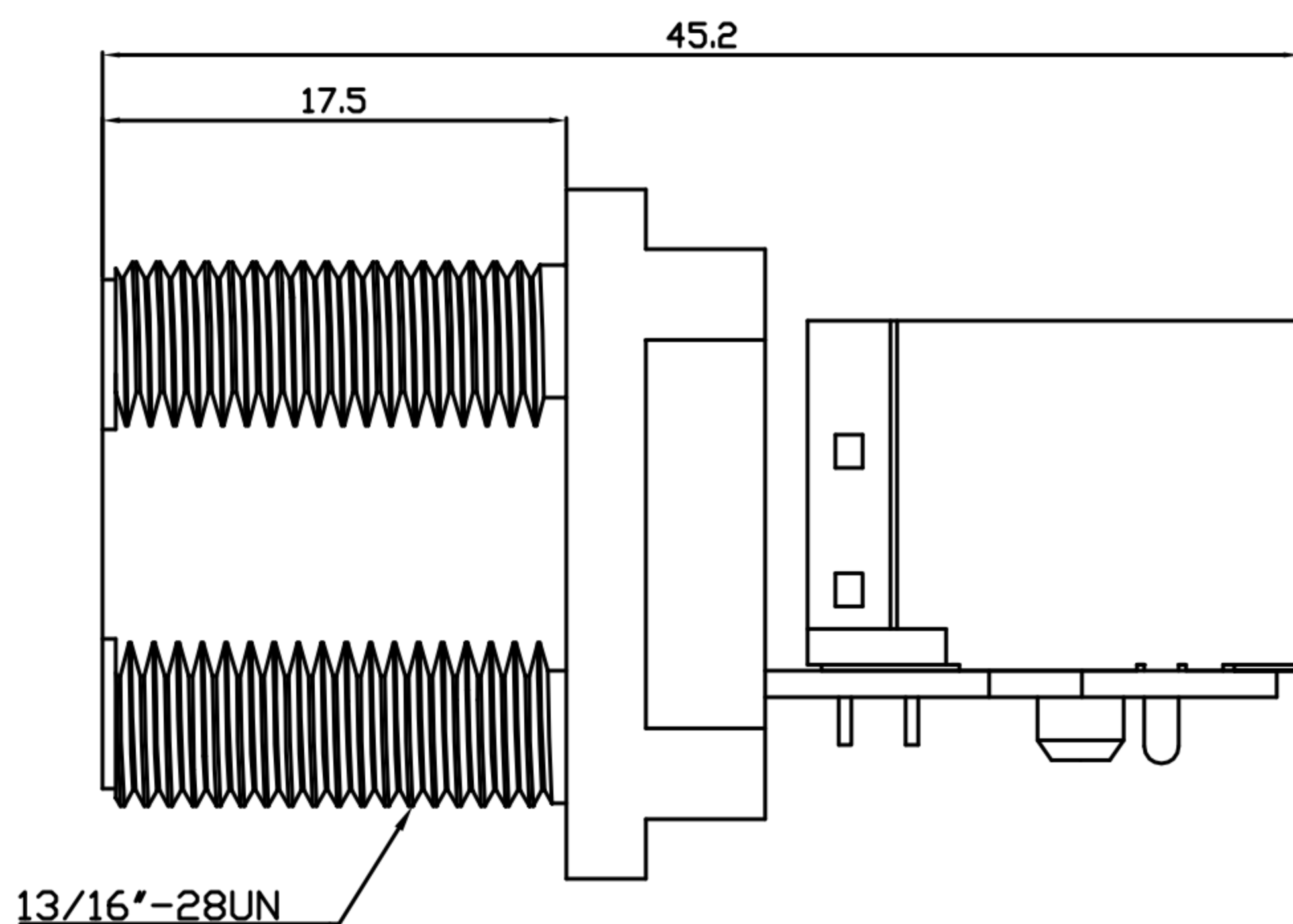
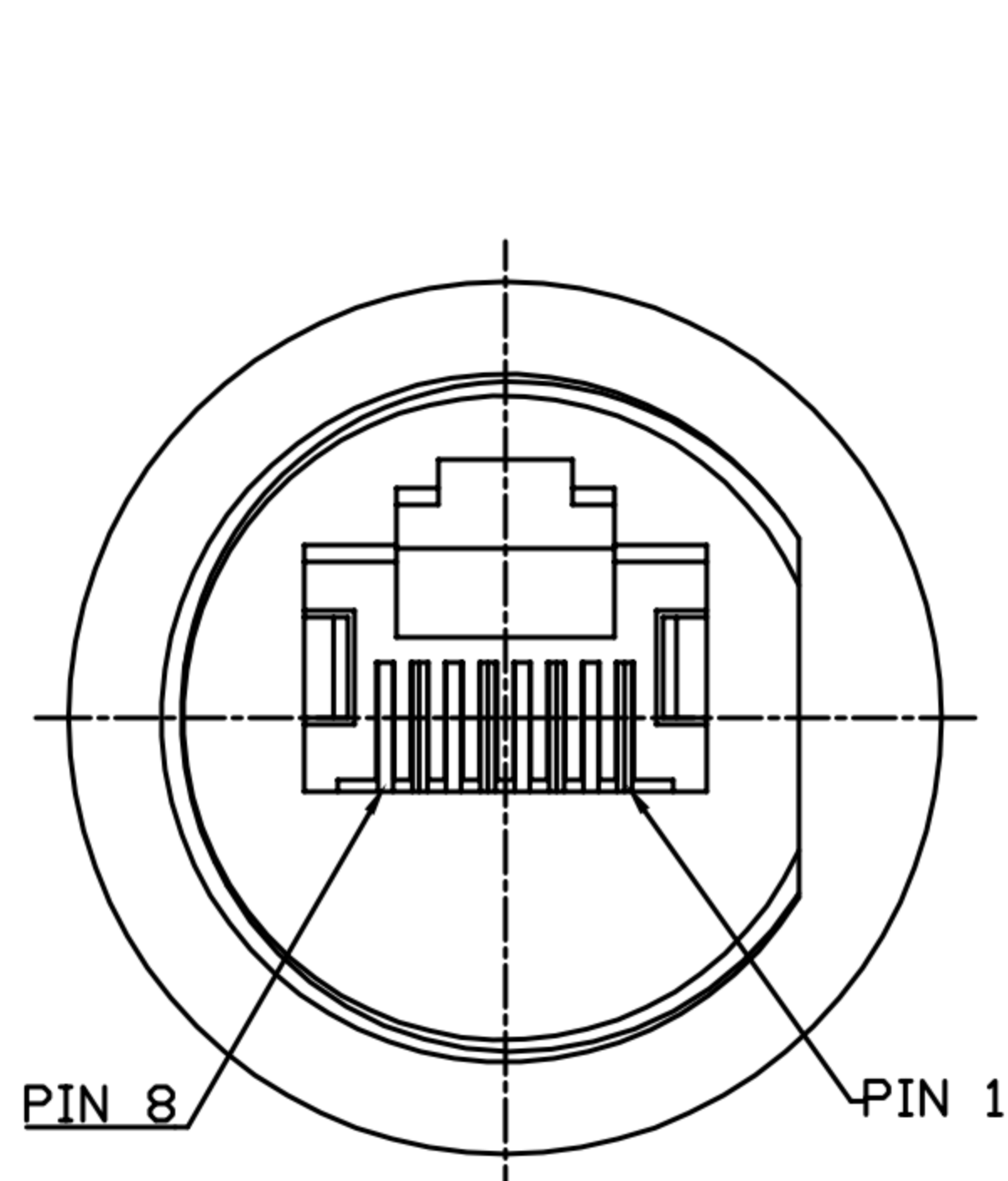
1. MATERIAL :
  - 1-1. HOUSING : PBT UL94V-0 ; COLOR : BLACK.
  - 1-2. CONTACT : PHOSPHOR BRONZE
  - 1-3. SHELL : PA66 UL94V-0 ; COLOR : BLACK.
  - 1-4. GROUND : SUS
  - 1-5. GASKET : SILICON ; COLOR : GRAY BLACK.
  - 1-6. NUT : PA66
2. FINISH :
  - 2-1. CONTACT : GOLD FLASH PLATED
  - 2-2. GROUND : NICKEL PLTAED.
3. ELECTRICAL SPECIFICATION :
  - 3-1. Rated current : 1.5A
  - 3-2. Rated voltage : 125V AC
  - 3-3. Water proof : IPX7
4. Environmental :
  - 4-1. Operation Temperature : -40℃~85℃

|       |          |       |         |       |     |  |  |  |          |                                |         |        |         |   |
|-------|----------|-------|---------|-------|-----|--|--|--|----------|--------------------------------|---------|--------|---------|---|
| DRAWN | Yeh Chou | APP'D | KU Chou | UNIT  | mm  | TOLERANCE  |  | 广东科斯达电子科技有限公司<br>GUANG DONG KE SI DA ELECTRONIC TECHNOLOGY CO., LTD. | TITLE    | Waterproof RJ45 8PIN(F) 前侧网络接口 |         |        | SHEET   | 1 |
| CHK'D | KU Chou  |       |         | SCALE | 1:1 | .x ±0.20<br>.xx ±0.10<br>.xxx ±0.05<br>.xxxx ±0.03<br>ANGULA ±1° |  |  | PART NO. | RJ-08F2-08-11                  | DWG NO. | QC8871 | VERSION | A |

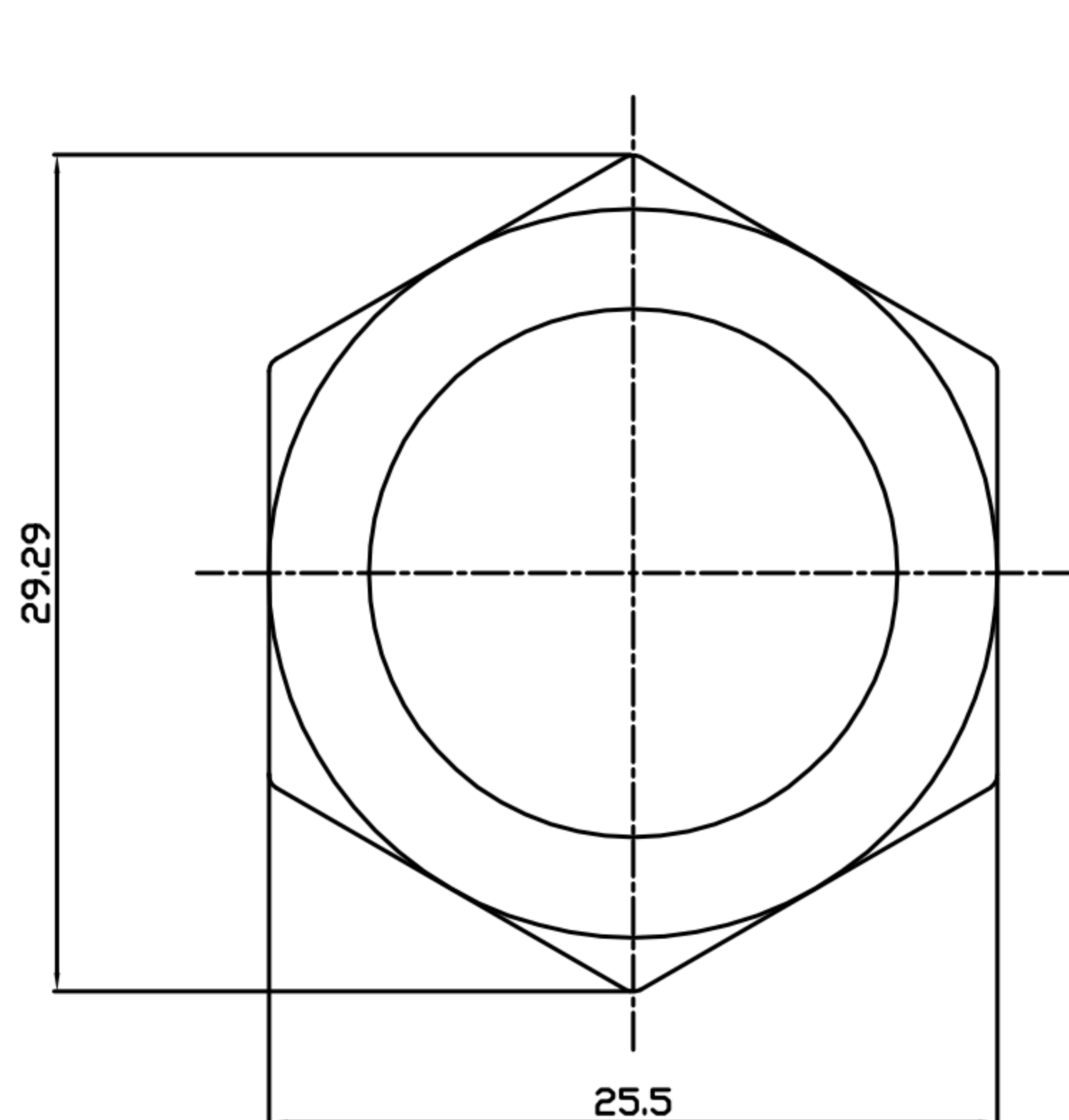


CUSTOMER DRAWING

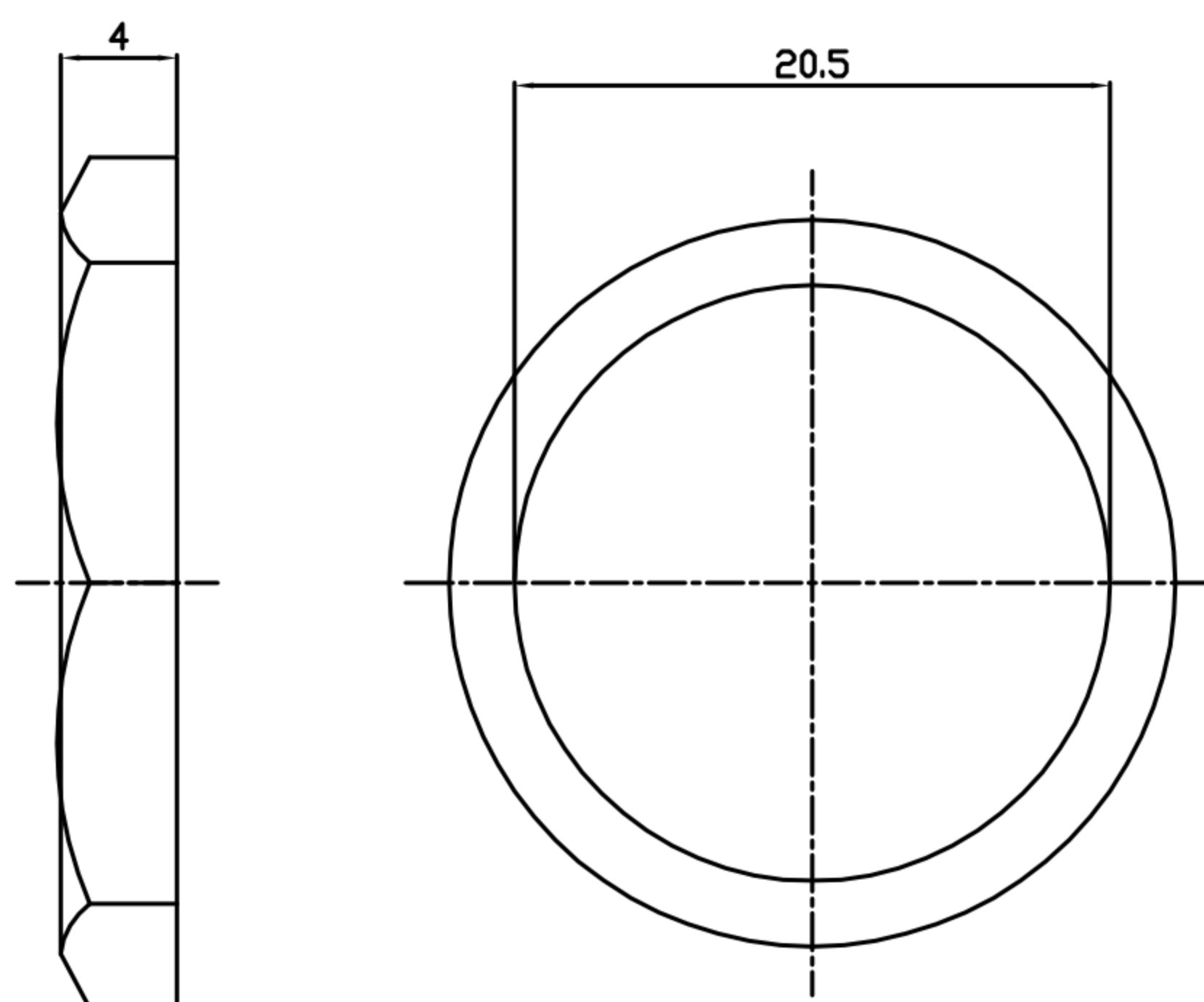
| REV. | DESCRIPTION | APPROVED BY | DATE      | ECN NO. |
|------|-------------|-------------|-----------|---------|
| A    | RELEASE     | KU Chou     | 06/12/18* |         |
| B    |             |             |           |         |
| C    |             |             |           |         |



Recommended Panel Cut-Out



Nut



Gasket

1. MATERIAL :
  - 1-1. HOUSING : PBT UL94V-0 ; COLOR : BLACK.
  - 1-2. CONTACT : PHOSPHOR BRONZE
  - 1-3. SHELL : PA66 UL94V-0 ; COLOR : BLACK.
  - 1-4. GROUND : SUS
  - 1-5. GASKET : SILICON ; COLOR : GRAY BLACK.
  - 1-6. NUT : PA66
2. FINISH :
  - 2-1. CONTACT : GOLD FLASH PLATED
  - 2-2. GROUND : NICKEL PLTAED.
3. ELECTRICAL SPECIFICATION :
  - 3-1. Rated current : 1.5A
  - 3-2. Rated voltage : 125V AC
  - 3-3. Water proof : IPX7
4. Environmental :
  - 4-1. Operation Temperature : -40℃~85℃

|       |          |       |         |       |     |  |  |  |          |                                |         |        |         |   |
|-------|----------|-------|---------|-------|-----|--|--|--|----------|--------------------------------|---------|--------|---------|---|
| DRAWN | Yeh Chou | APP'D | KU Chou | UNIT  | mm  | TOLERANCE  |  | 广东科斯达电子科技有限公司<br>GUANG DONG KE SI DA ELECTRONIC TECHNOLOGY CO., LTD. | TITLE    | Waterproof RJ45 8PIN(F) 前侧网络接口 |         |        | SHEET   | 1 |
| CHK'D | KU Chou  |       |         | SCALE | 1:1 | .x ±0.20<br>.xx ±0.10<br>.xxx ±0.05<br>.xxxx ±0.03<br>ANGULA ±1° |  |  | PART NO. | RJ-08F2-08-11                  | DWG NO. | QC8871 | VERSION | A |