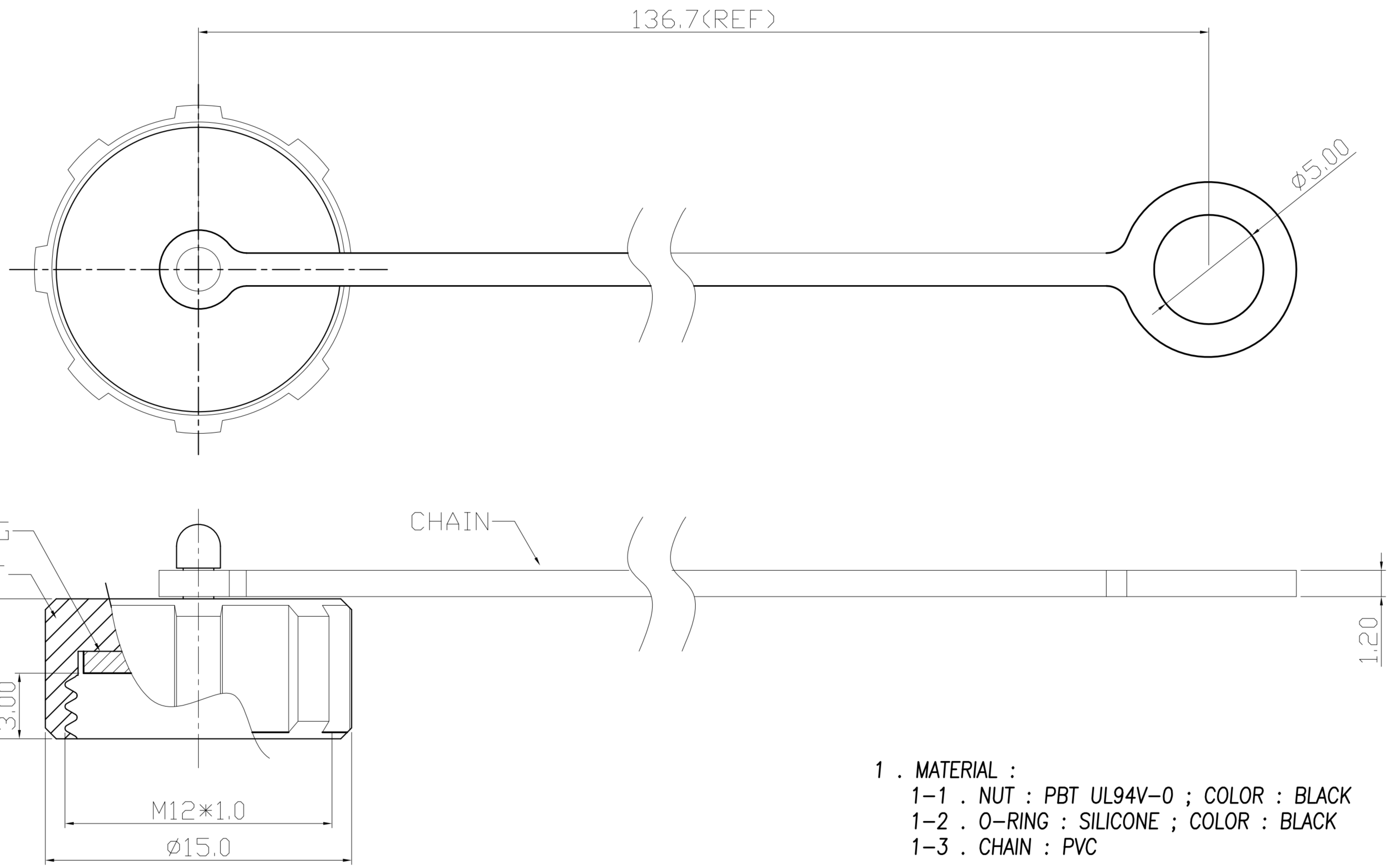


CUSTOMER DRAWING

REV.	DESCRIPTION	APPROVED BY	DATE	ECN NO.
△A				
△B				
△C				



- 1 . MATERIAL :
- 1-1 . NUT : PBT UL94V-0 ; COLOR : BLACK
 - 1-2 . O-RING : SILICONE ; COLOR : BLACK
 - 1-3 . CHAIN : PVC

DRAWN	Ku Chou	APP'D	Emily Suen	UNIT	mm	TOLERANCE			TITLE	M12防塵蓋(NUT)+油封+塑膠鏈條			SHEET	1/1
CHK'D	Emily Suen			SCALE	1:1	.x ±0.20 .xx ±0.10 .xxx ±0.05 .xxxx ±0.03 ANGULA ±1°			PART NO.	NY-WP316	DWG NO.	QC5098	VERSION	A