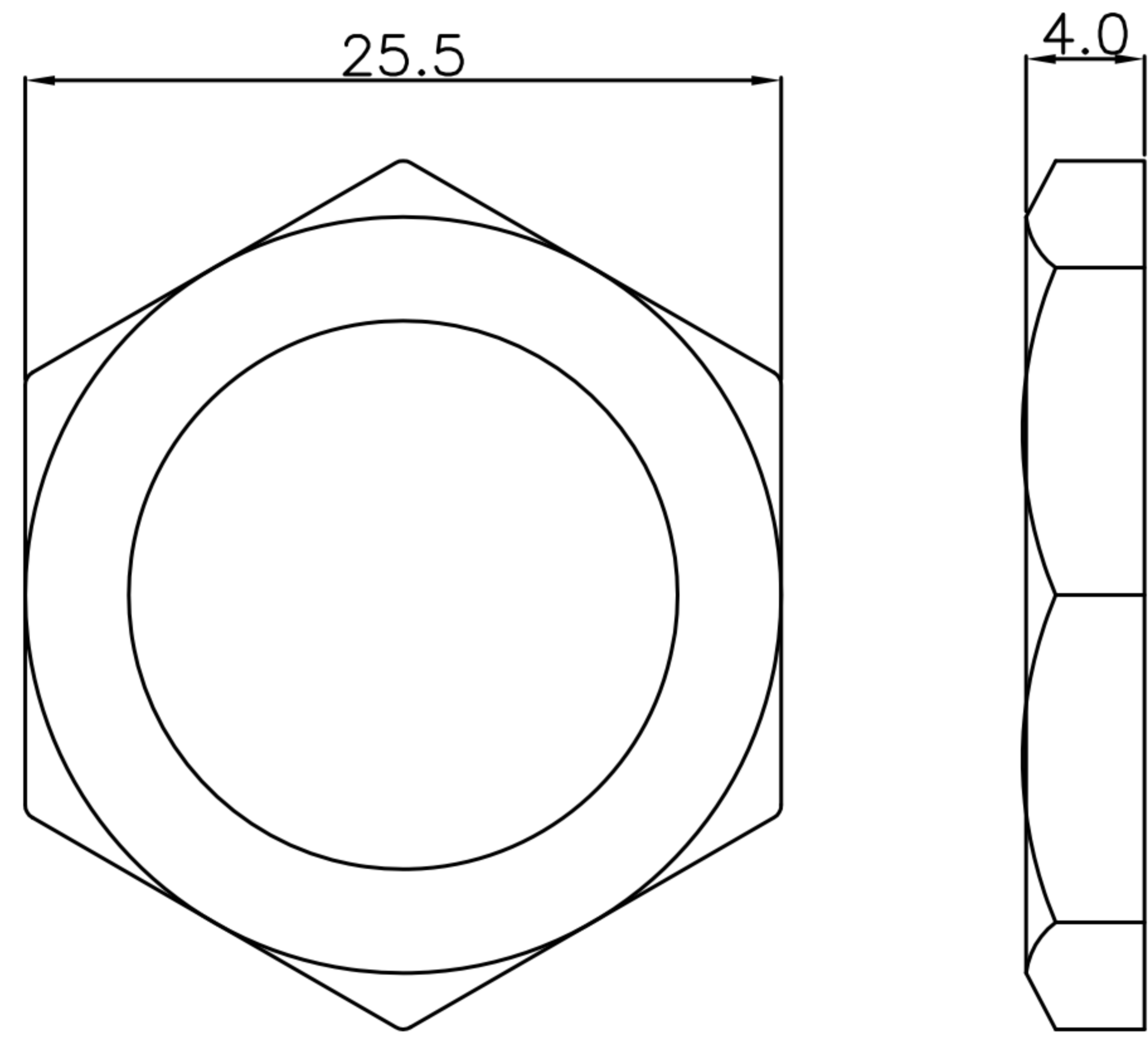
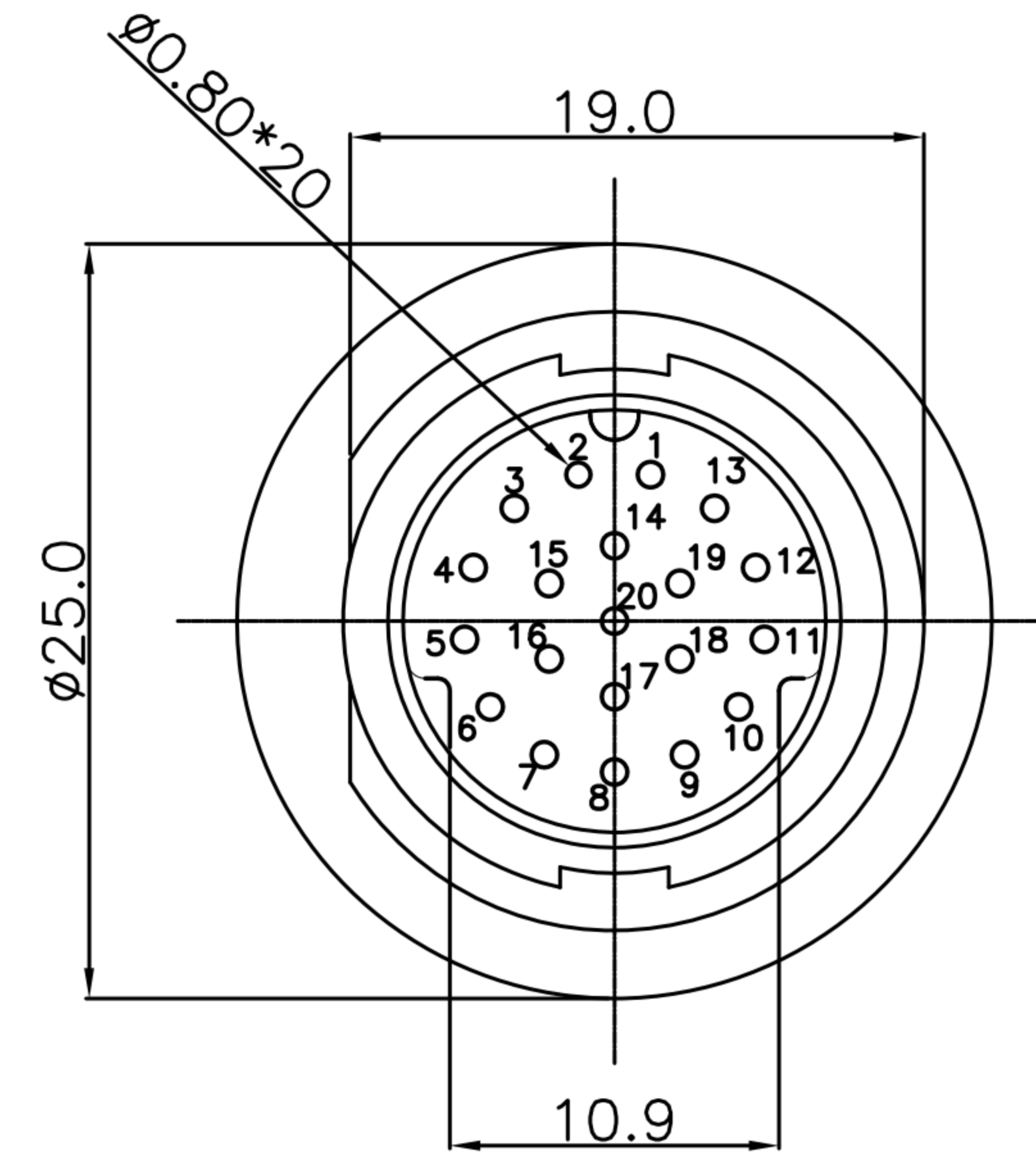
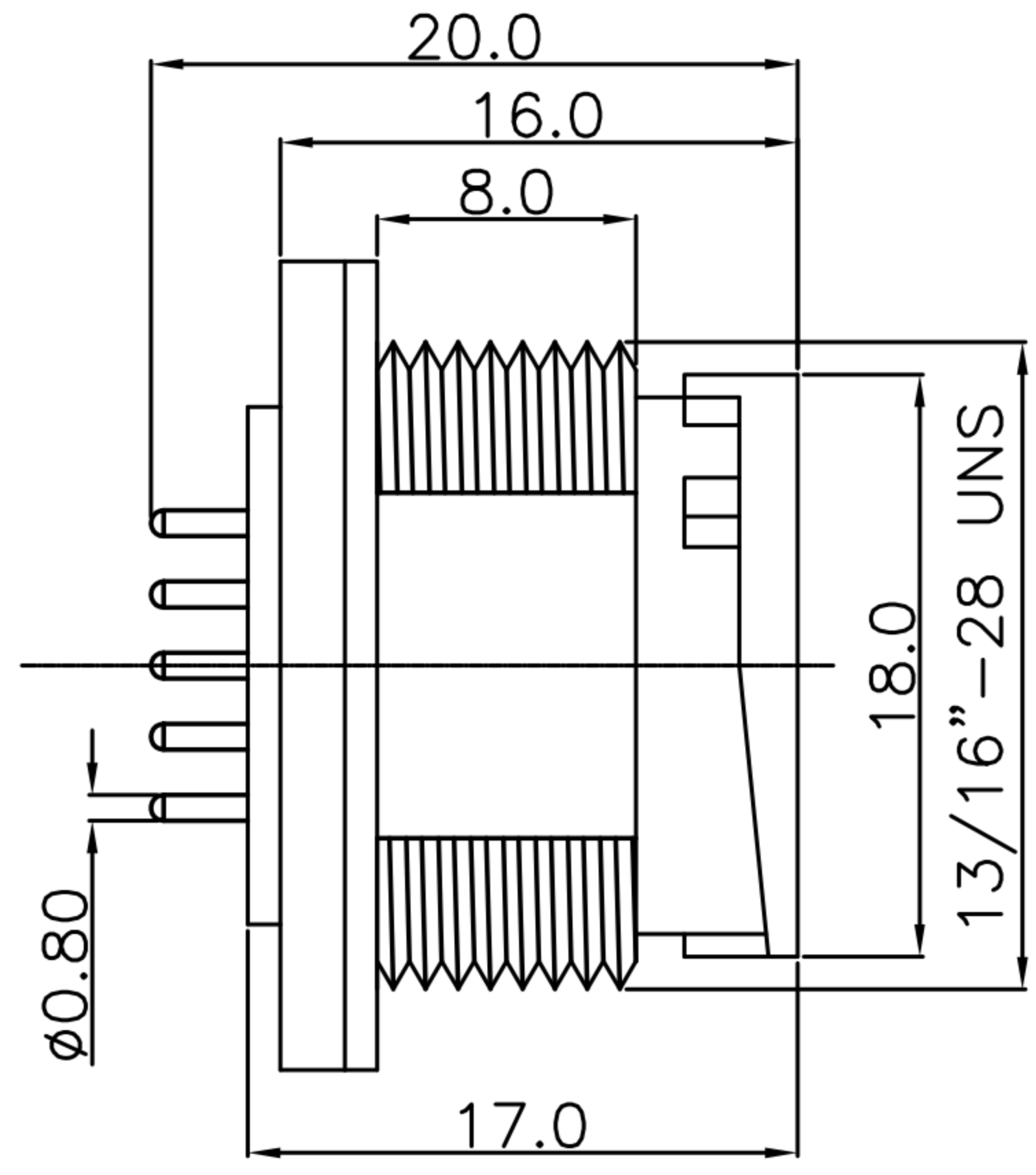
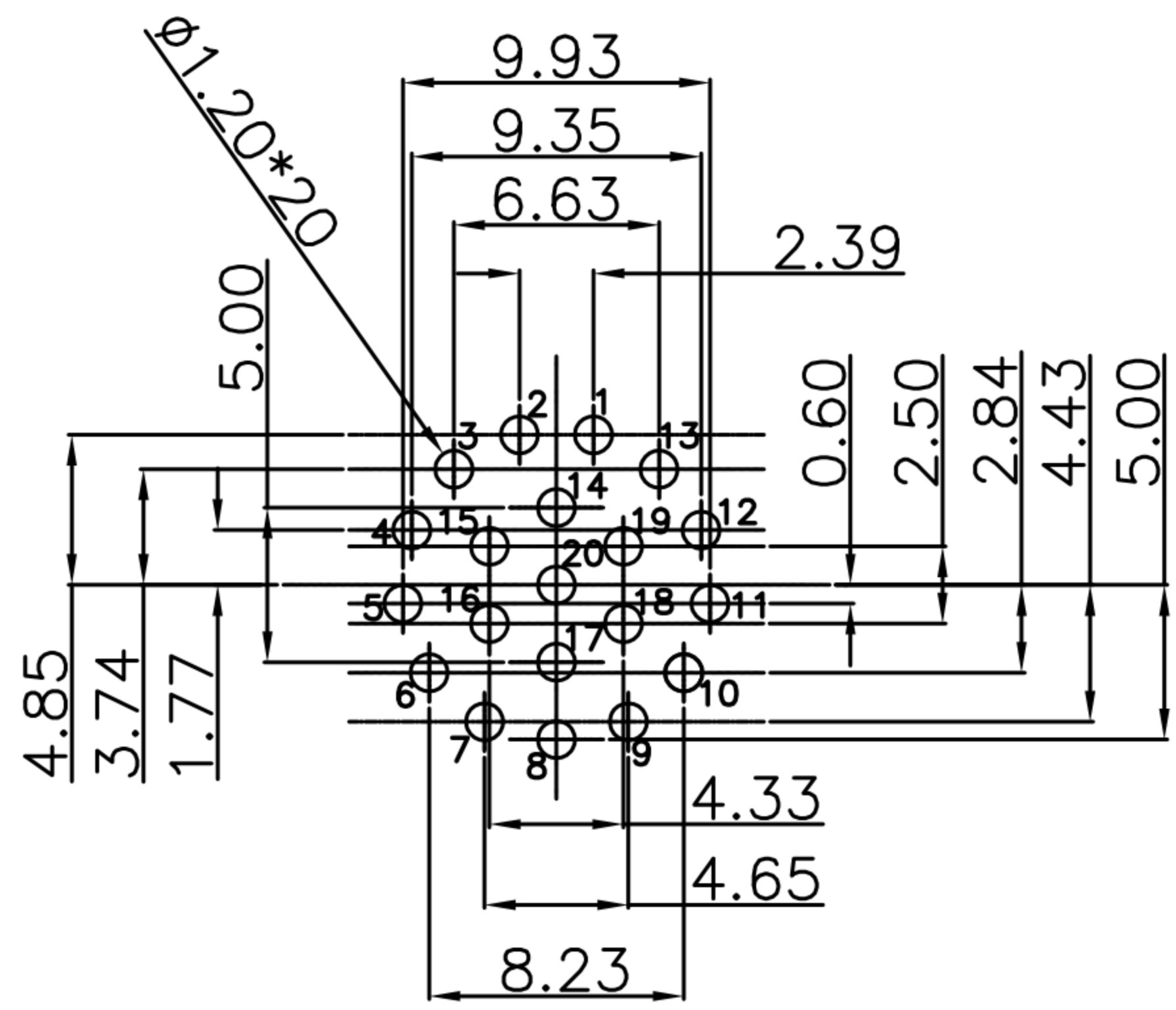


CUSTOMER DRAWING

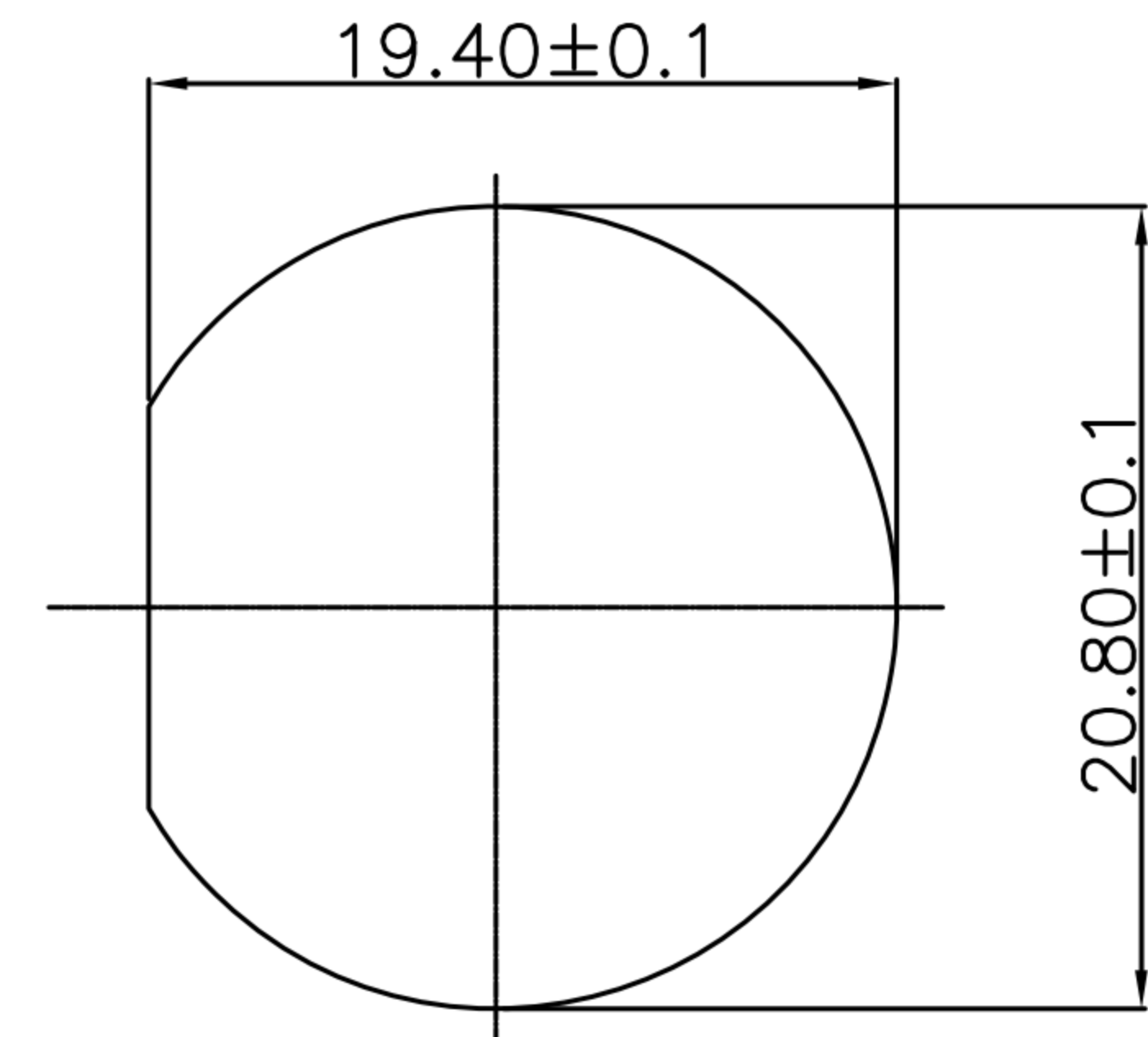
REV.	DESCRIPTION	APPROVED BY	DATE	ECN NO.
A	RELEASE	Fido Weng		
B				
C				



HEX NUT



RECOMMEND PCB LAYOUT



RECOMMEND  
PANEL HOLE

1. MATERIAL :
  - 1-1. HOUSING : PA66
  - 1-2. CONTACT : BRASS
  - 1-3. GASKET : SILICONE
  - 1-4. HEX NUT : PA66
2. FINISH :
  - 2-1. CONTACT : GOLD FLASH PLATED.
3. ELECTRICAL SPECIFICATION :
  - 3-1. Rated current : 2A
  - 3-2. Rated voltage : 250V
  - 3-3. Water proof : IP67
4. Environmental :
  - 4-1. Operation Temperature : -40℃~105℃

DRAWN	Ku Chou	APP'D	Emily Suen	UNIT	mm	TOLERANCE		TITLE	WP 20(M) (LOCK) C-TYPE 板端前鎖DIP式			SHEET	
CHK'D	Emily Suen			SCALE	1:1	.x ±0.20 .xx ±0.10 .xxx ±0.05 .xxxx ±0.03 ANGULA ±1°		PART NO.	WP-20M3-01-11	DWG NO.	QC8067	VERSION	