

CUSTOMER DRAWING

REV.	DESCRIPTION	APPROVED BY	DATE	ECN NO.
△A	RELEASE	Fido Weng	14/02/09*	
△B	新增料號	KU	18/07/18*	
△C				

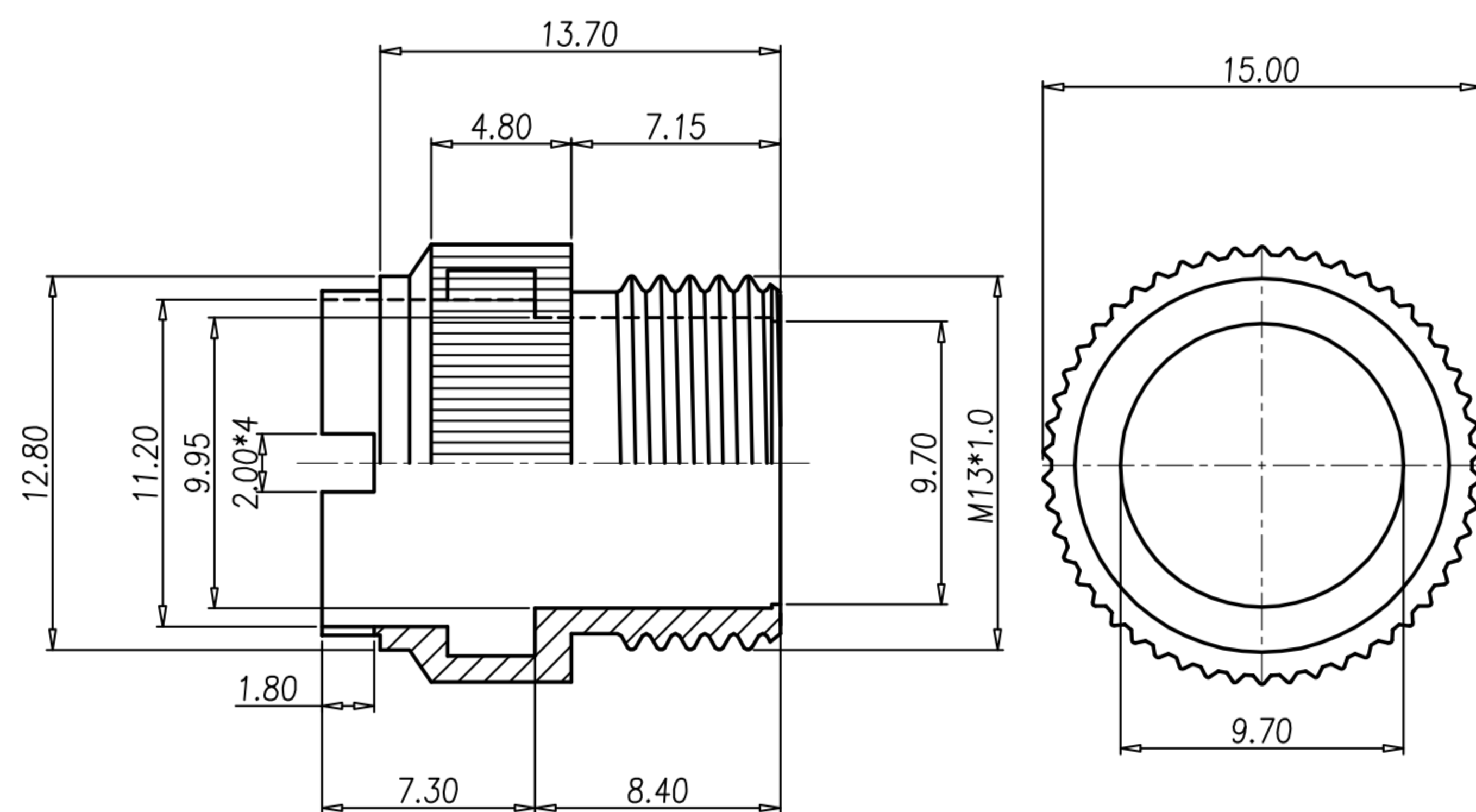
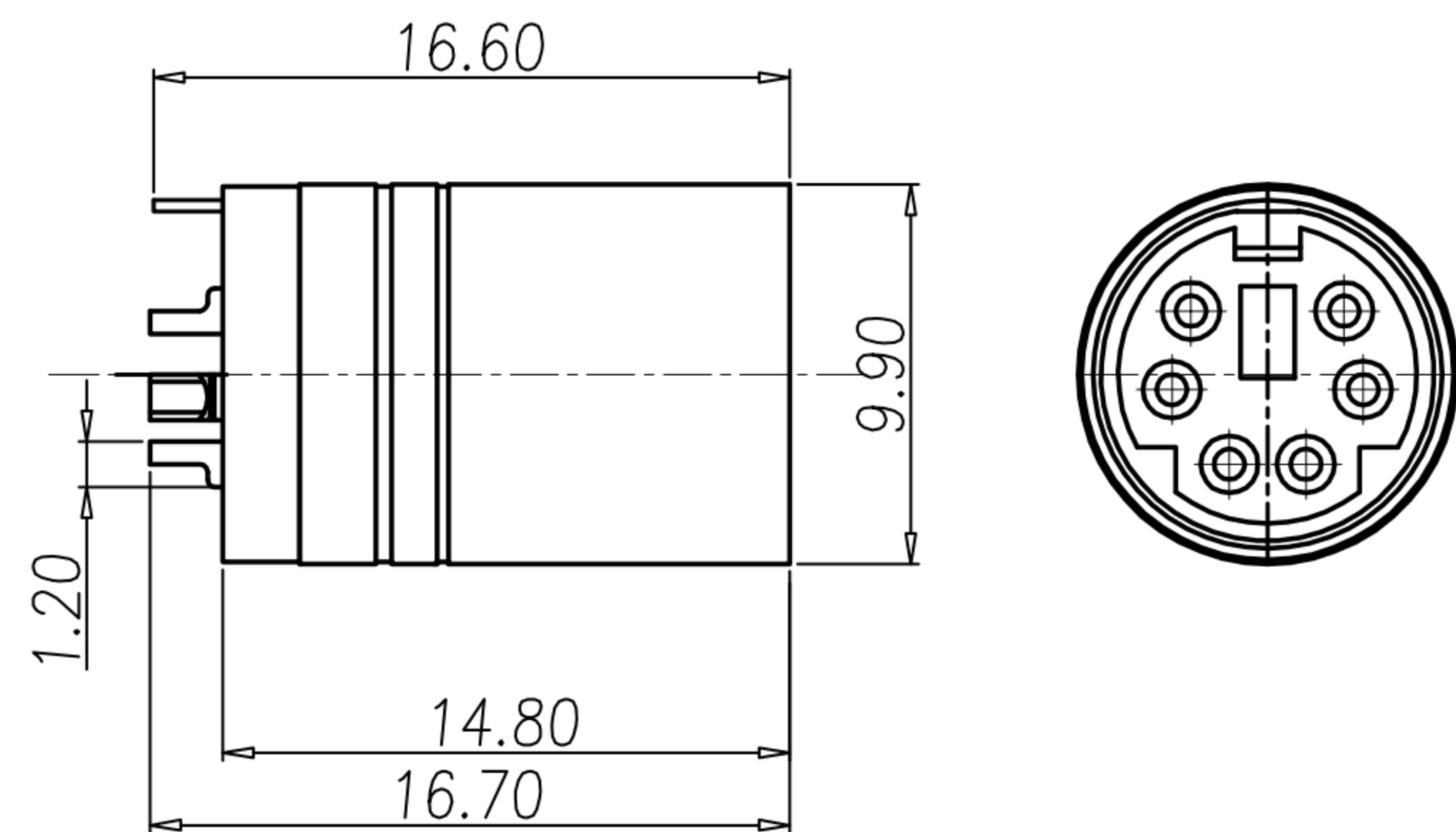


TABLE A

	MD-04F2-18-11
	MD-06F2-01
	MD-08F2-01-11

- MATERIAL :
 - HOUSING : PBT UL94V-0 ; COLOR : BLACK
 - CONTACT : PHOSPHOR BRONZE.
 - NUT : BRASS
 - SHELL : BRASS
 - SPRING : PHOSPHOR BRONZE
- FINISH :
 - CONTACT : GOLD FLASH MICRO INCHES MIN.
UNDER PLATE : NICKEL
 - NUT : NICKEL PLATED.
 - SHELL : NICKEL PLATED.
- ELECTRICAL SPECIFICATION :
 - Rated current : 2A
 - Rated Voltage : 12V
- Environmental :
 - Operation Temperature : -20℃~85℃

NUT

DRAWN	KU	APP'D	Fido Weng	UNIT	mm	TOLERANCE		广东科斯达电子科技有限公司 GUANG DONG KE SI DA ELECTRONIC TECHNOLOGY CO., LTD.	TITLE	M13 Mini din (F)			SHEET
CHK'D	LEO			SCALE	1:1	.x ±0.20 .xx ±0.10 .xxx ±0.05 .xxxx ±0.01 ANGULA ±1°			PART NO.	SEE TABLE A	DWG NO.	QC6982	VERSION B