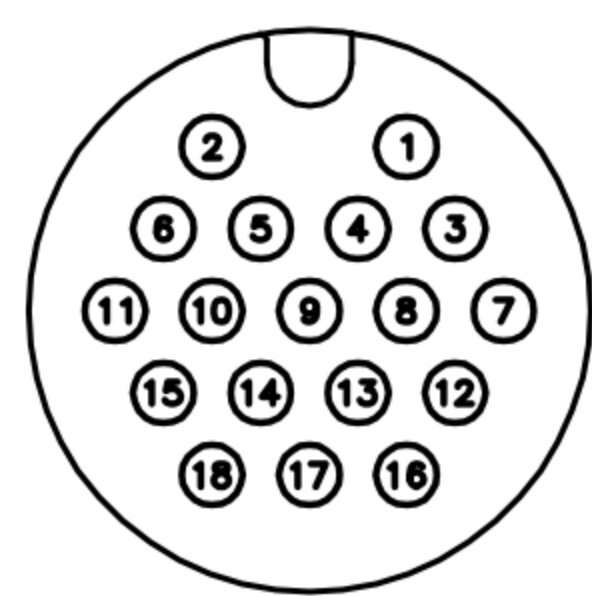
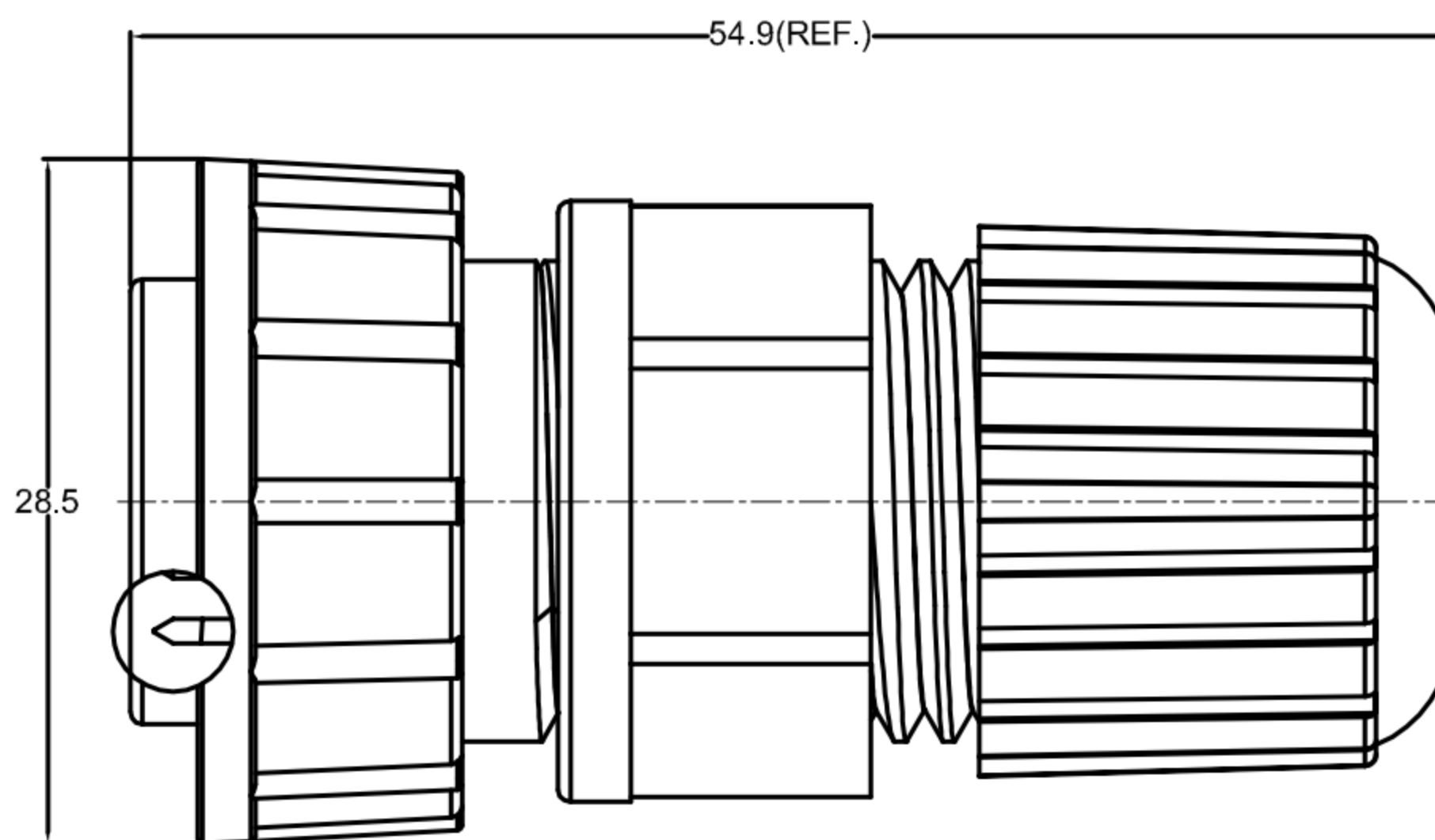
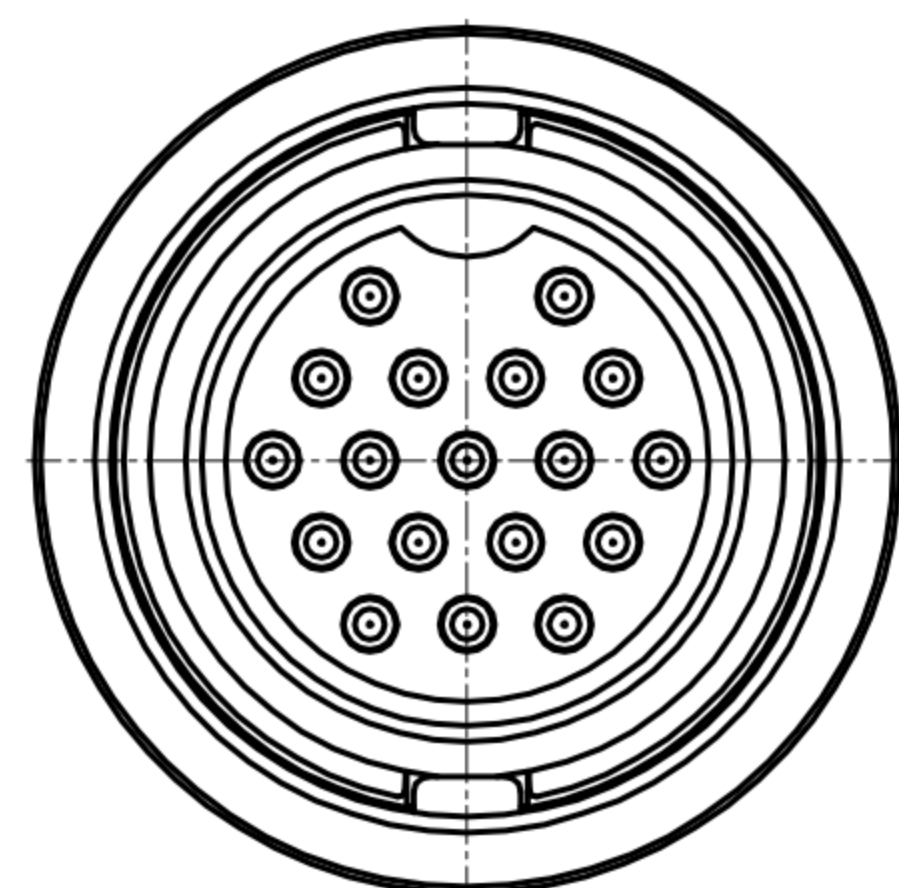
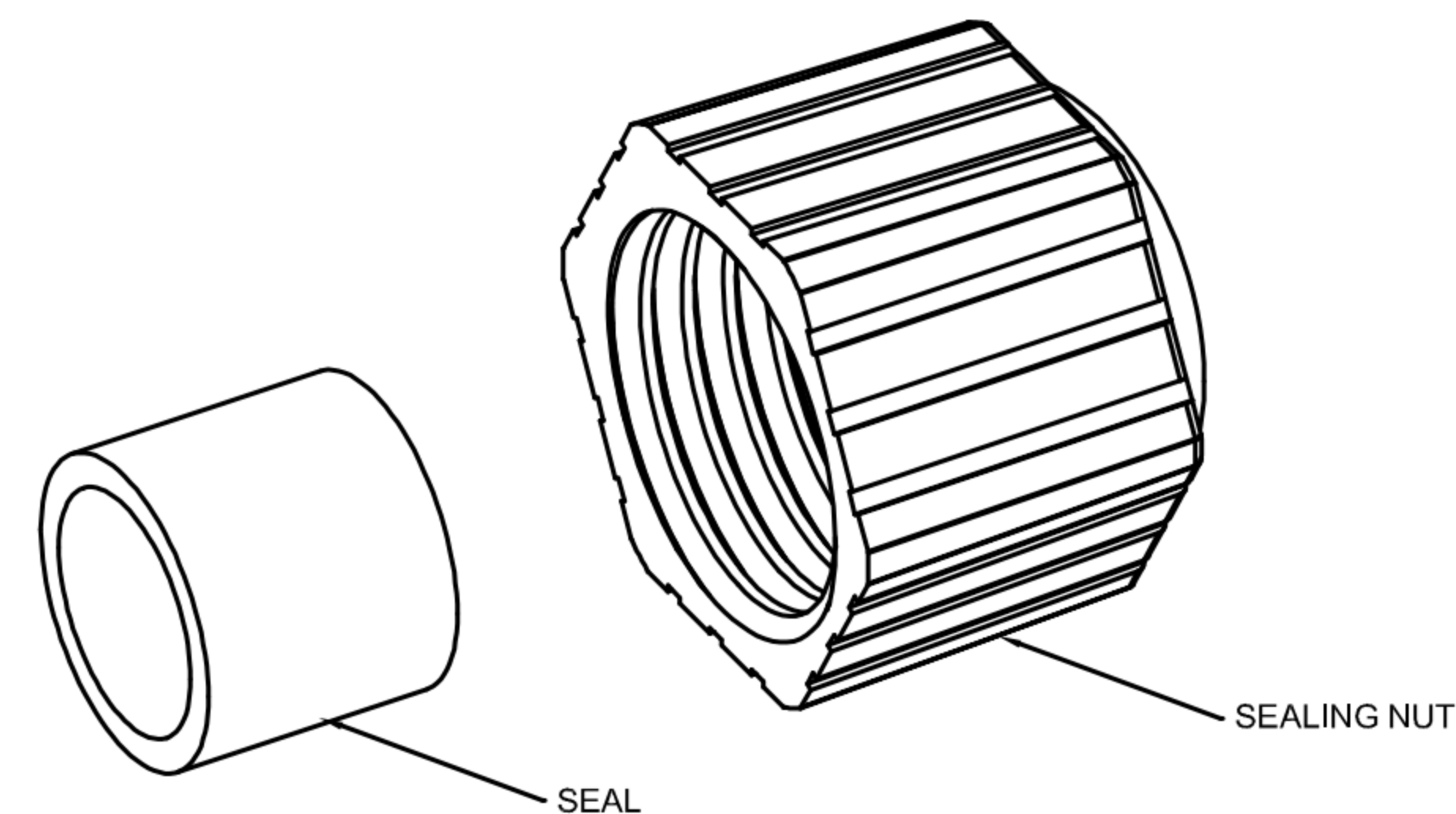
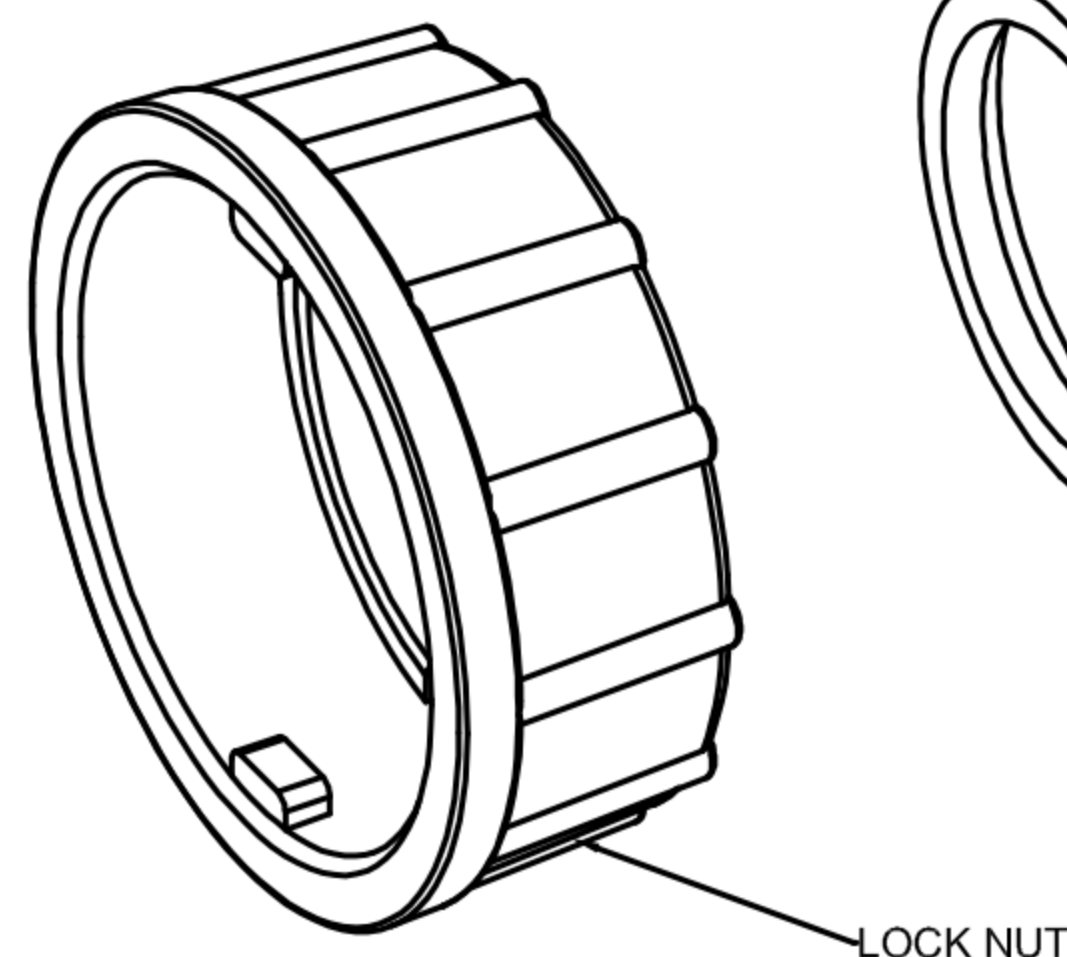
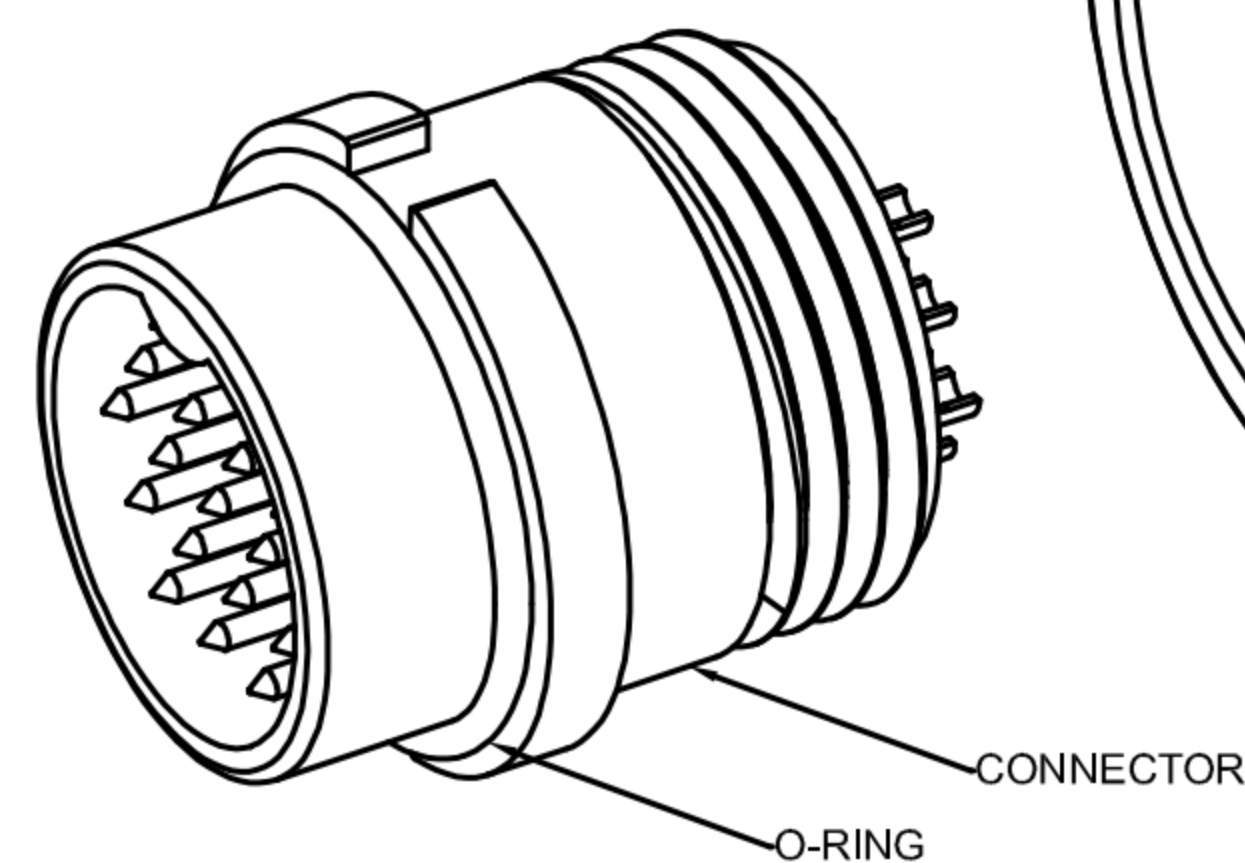


# CUSTOMER DRAWING

REV.	DESCRIPTION	APPROVED BY	DATE	ECN NO.
△A	RELEASE	Ku Chou	06/12/18'	
△B	CHANGE RATED VOLTAGE	Ku Chou	13/12/18'	
△C				



Pin Assignments  
Front View



- MATERIAL :
  - 1-1. HOUSING : PA66
  - 1-2. CONTACT : BRASS
  - 1-3. O-RING : SILICONE
  - 1-4. LOCK NUT : PA66
  - 1-5. GASKET : SILICONE
  - 1-6. CLAMP RING : PA66
  - 1-7. SEAL : SILICONE  
SEAL FOR CABLE OD $\phi$ 5.5mm ~10.8mm
  - 1-8. SEALING NUT : PA66
- FINISH :
  - 2-1. CONTACT : GOLD FLASH PLATED.
- ELECTRICAL SPECIFICATION :
  - 3-1. Rated current : 5A
  - △B 3-2. Rated Voltage : 300V
  - 3-3. Water proof : IP67
- Environmental :
  - 4-1. Operation Temperature : -40 $^{\circ}$ C~105 $^{\circ}$ C

DRAWN	Emily Suen	APP'D	Ku Chou	UNIT	mm	TOLERANCE		广东科斯达电子科技有限公司 GUANG DONG KE SI DA ELECTRONIC TECHNOLOGY CO., LTD.	TITLE	WP F CONN. M PIN 18PIN D SIZE ASSEMBLY TYPE(LOCK)-5A			SHEET	1
CHK'D	Ku Chou			SCALE	1:1	.x $\pm 0.20$ .xx $\pm 0.10$ .xxx $\pm 0.05$ .xxxx $\pm 0.03$ ANGULAR $\pm 1^{\circ}$			PART NO.	WP-18M2-18-11	DWG NO.	QC8843	VERSION	