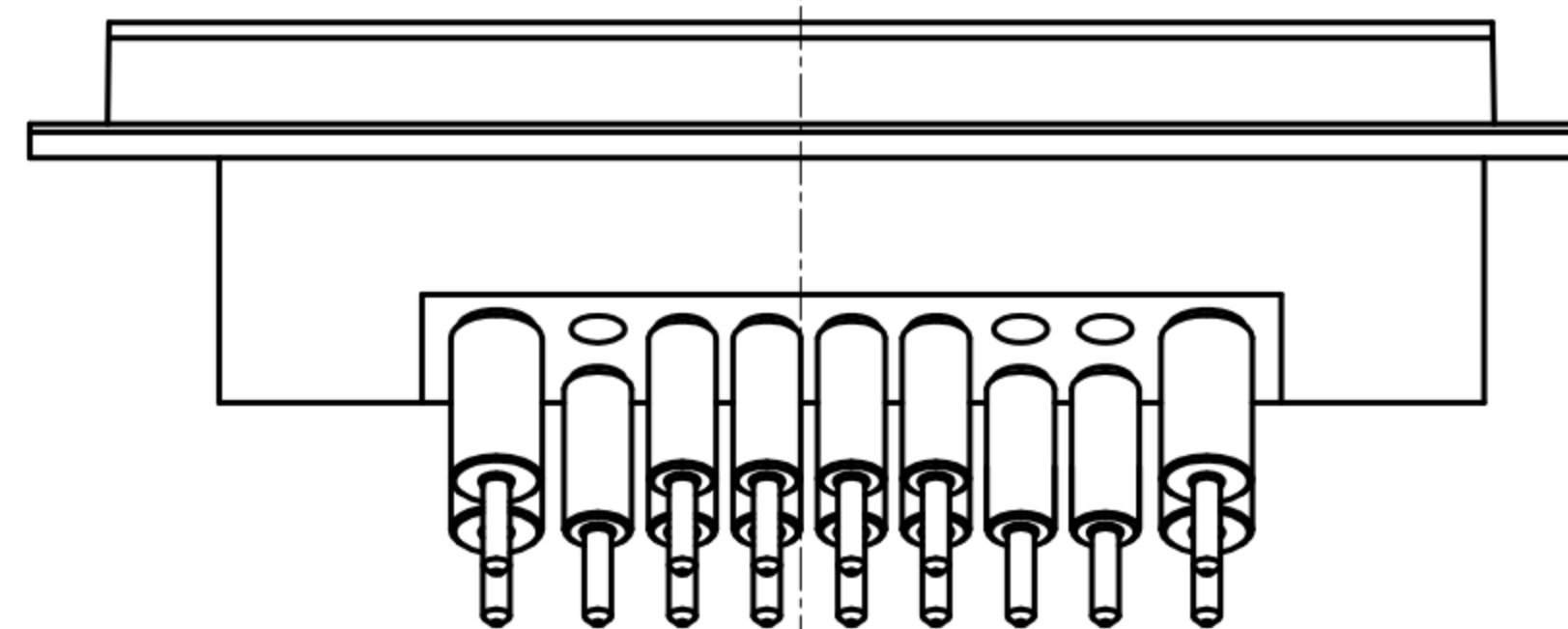
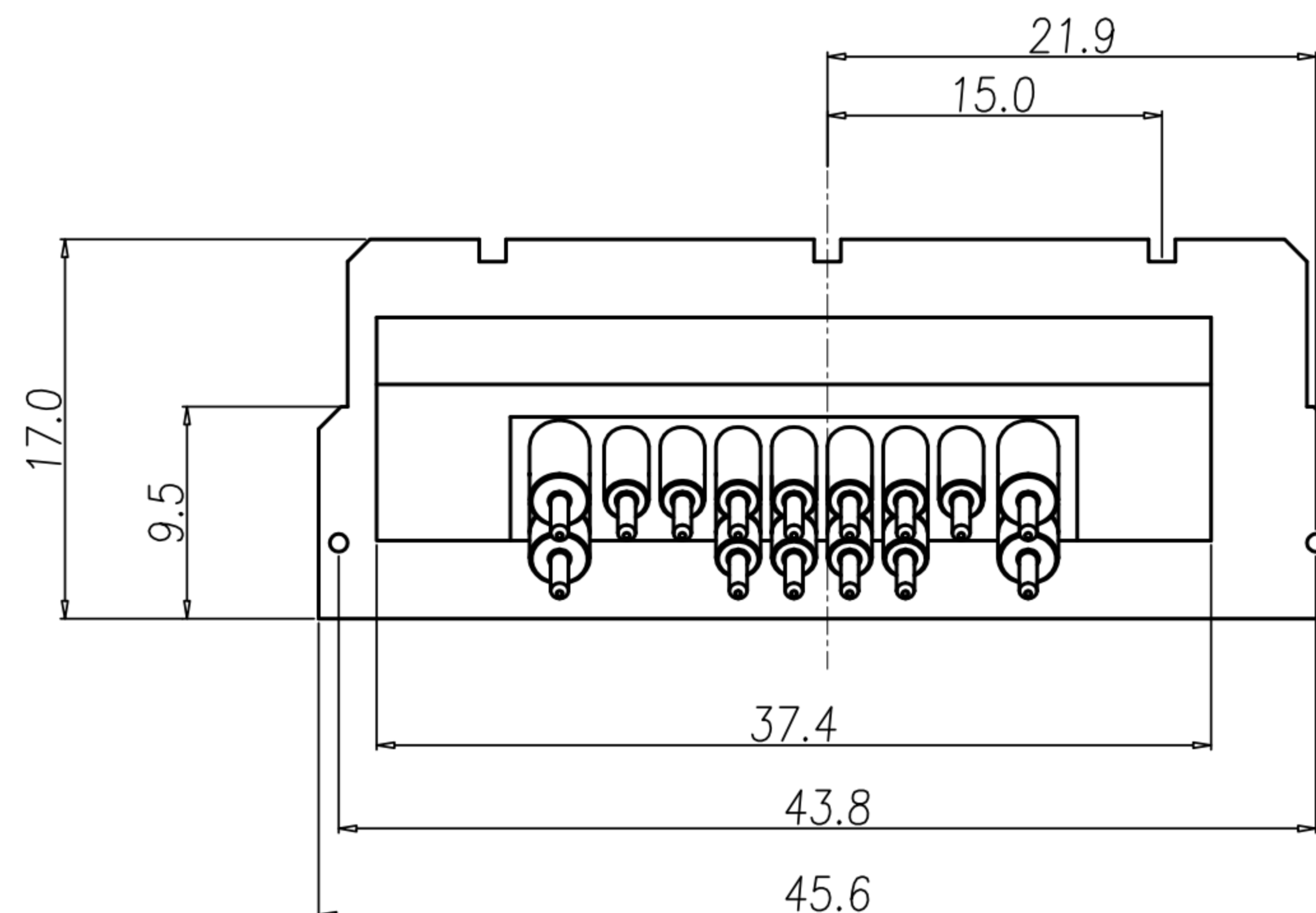
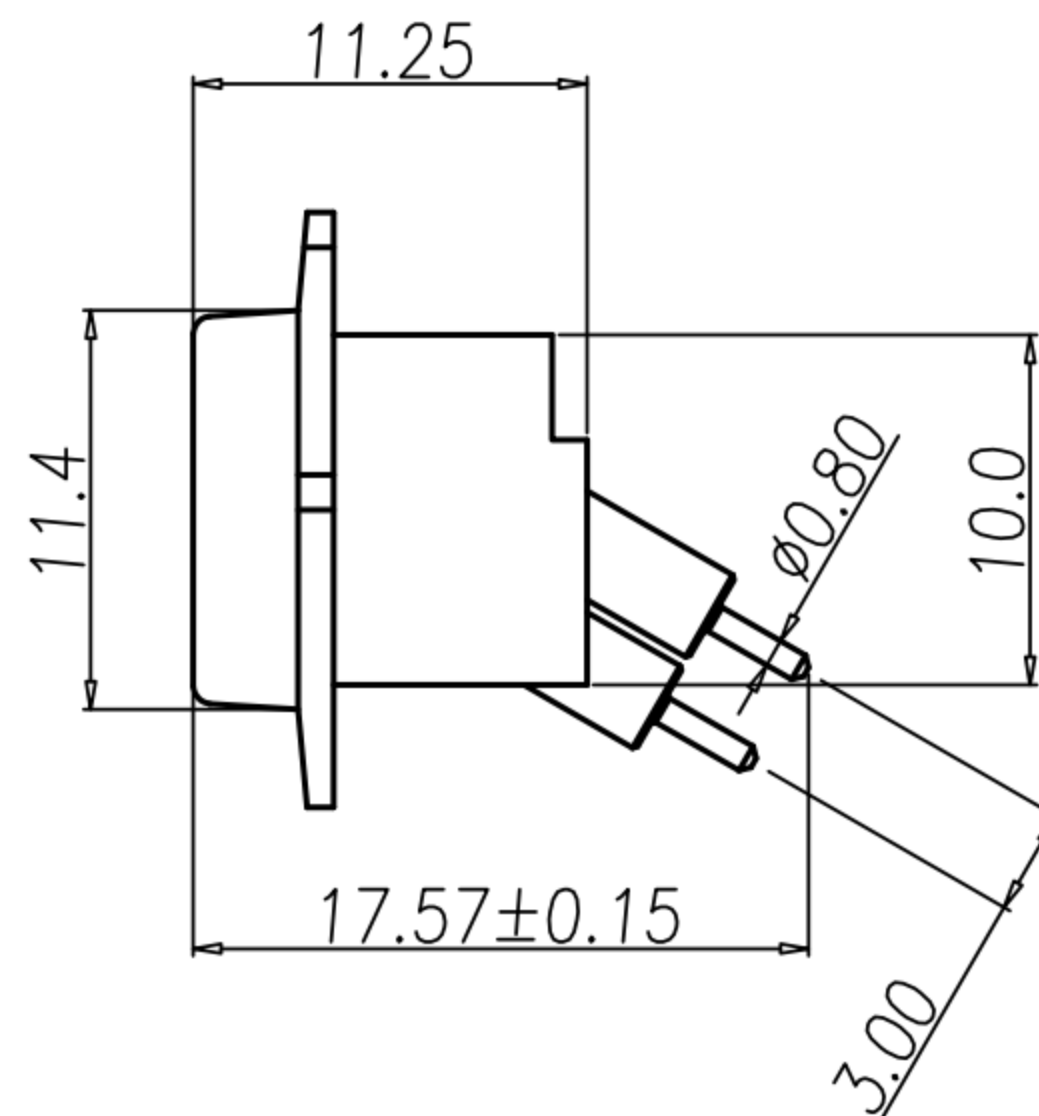
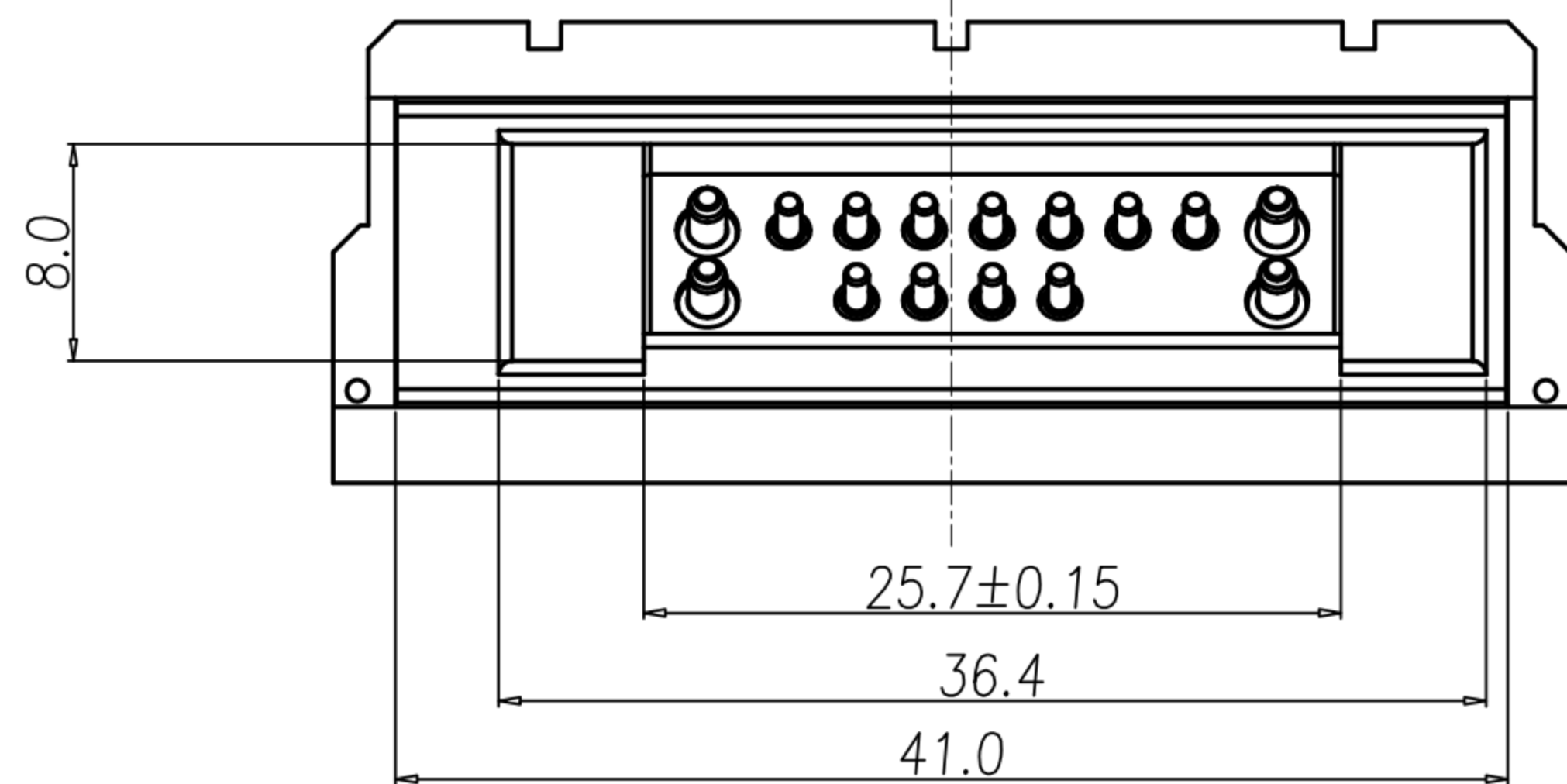
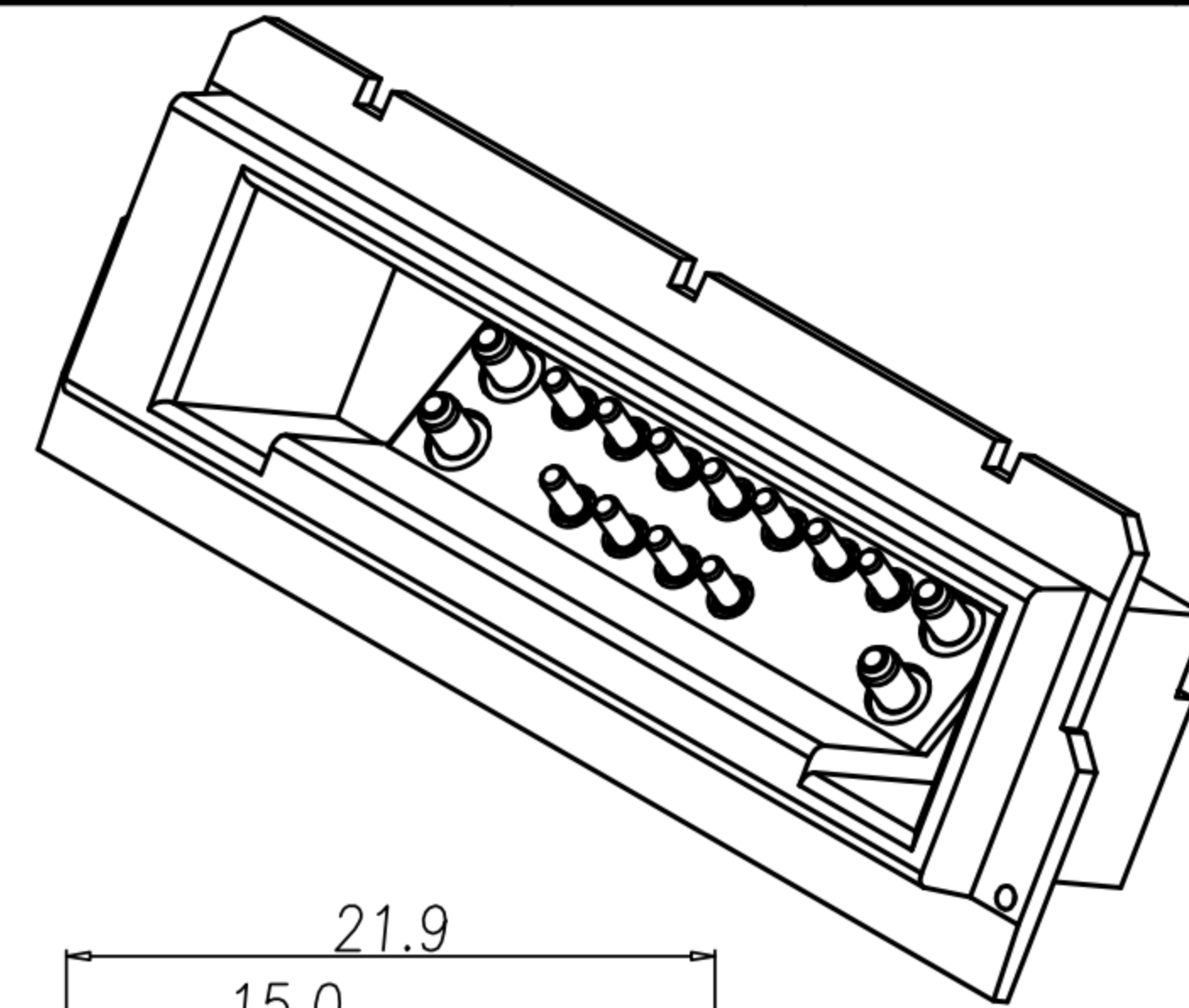
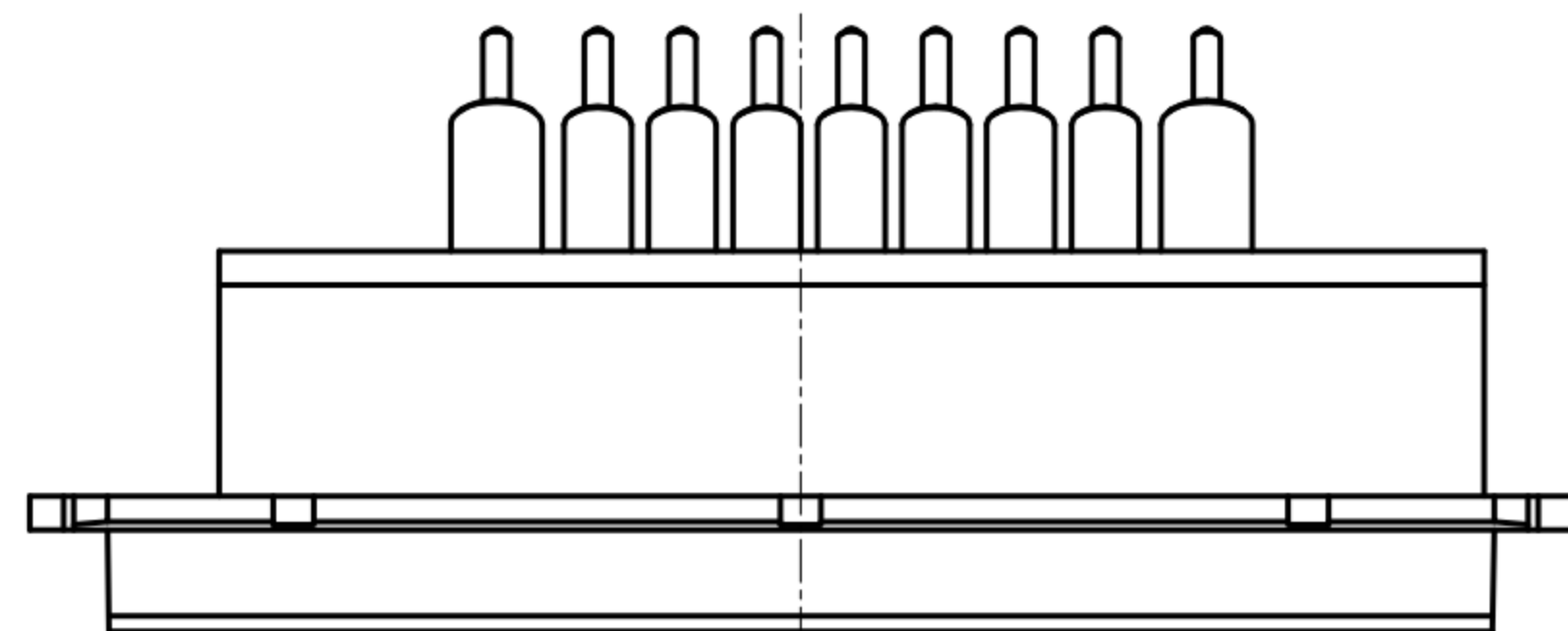


CUSTOMER DRAWING

REV.	DESCRIPTION	APPROVED BY	DATE	ECN NO.
A	RELEASE	Fido Weng	09/12/10	
B				
C				
D				



1. MATERIAL :
 - 1-1. HOUSING : PBT UL94V-0 ; COLOR : BLACK
 - 1-2. CONTACT : SPRING : STAINLESS STEEL 304
BARREL : BRASS
PLUNGER : BRASS
2. FINISH :
 - 2-1. CONTACT : 15 MICRO INCHES MIN. GOLD PLATED
UNDER PLATE : NICKEL
3. ELECTRICAL SPECIFICATION :
 - 3-1. Rated current : 3A
 - 3-2. Rated voltage : 12V
 - 3-3. Water proof : IP66
4. Environmental :
 - 4-1. Operation Temperature : -20℃~105℃

DRAWN	Ku Chou	APPVL	Emily Suen	UNIT	mm	TOLERANCE		广东科斯达电子科技有限公司 GUANG DONG KE SI DA ELECTRONIC TECHNOLOGY CO., LTD.	TITLE	點餐機 Receptacles			SHEET	1 VERSION A
CHK'D	Emily Suen			SCALE	1:1	.x ±0.20 .xx ±0.10 .xxx ±0.03 .xxxx ±0.01 ANGULA ±1°			PART NO.	PD-15F2-04	DWG NO.	QC5122		