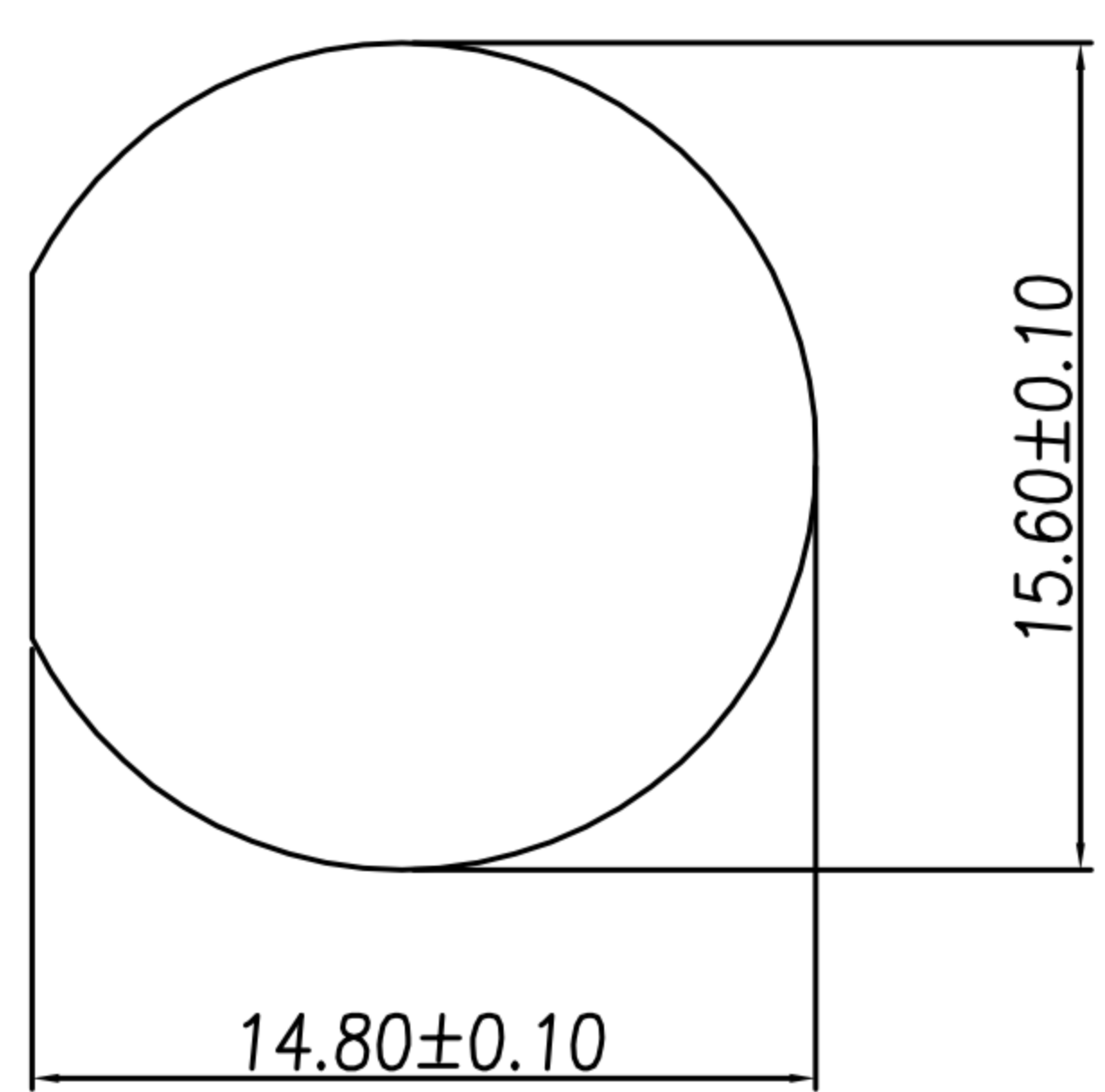
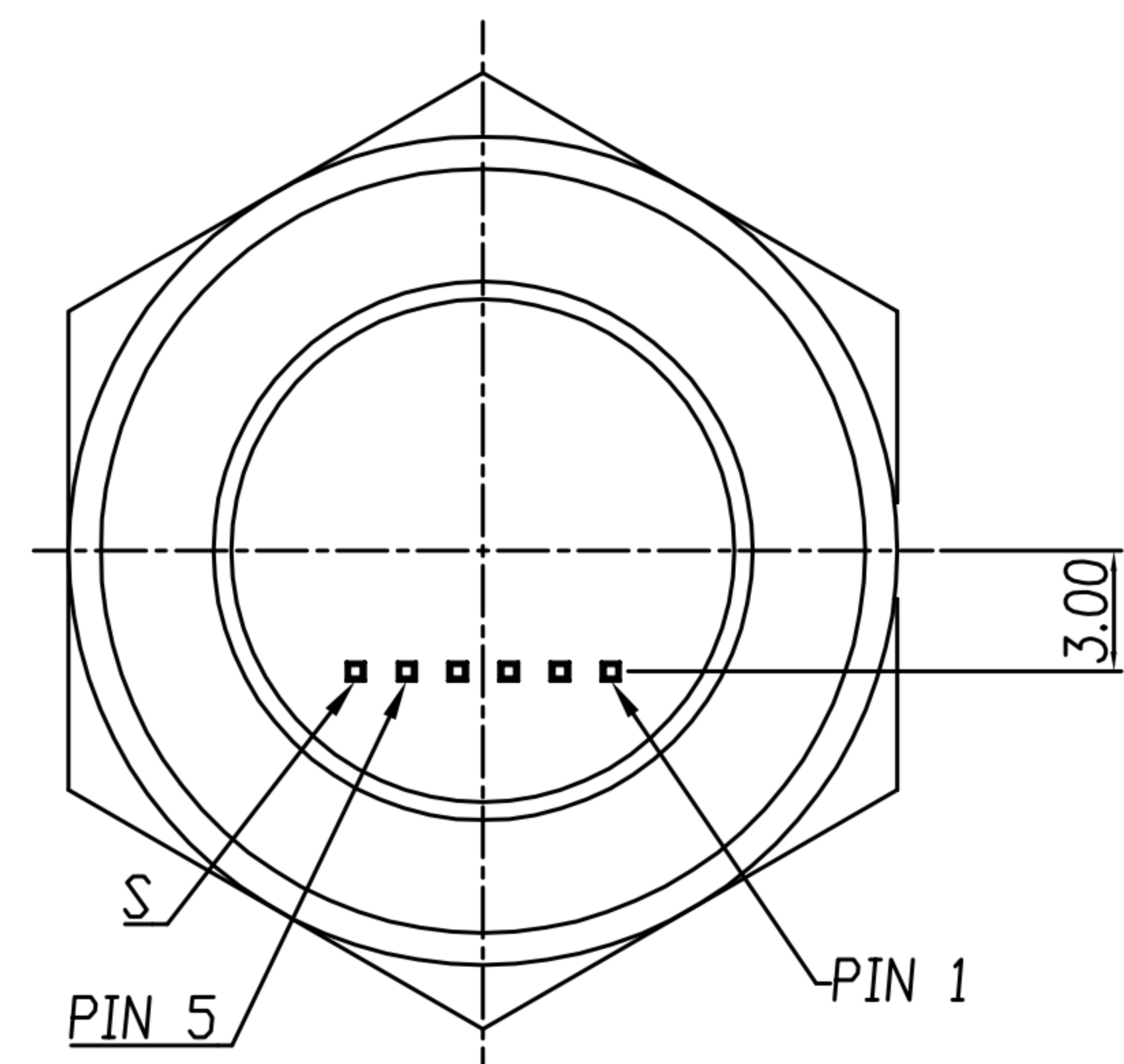
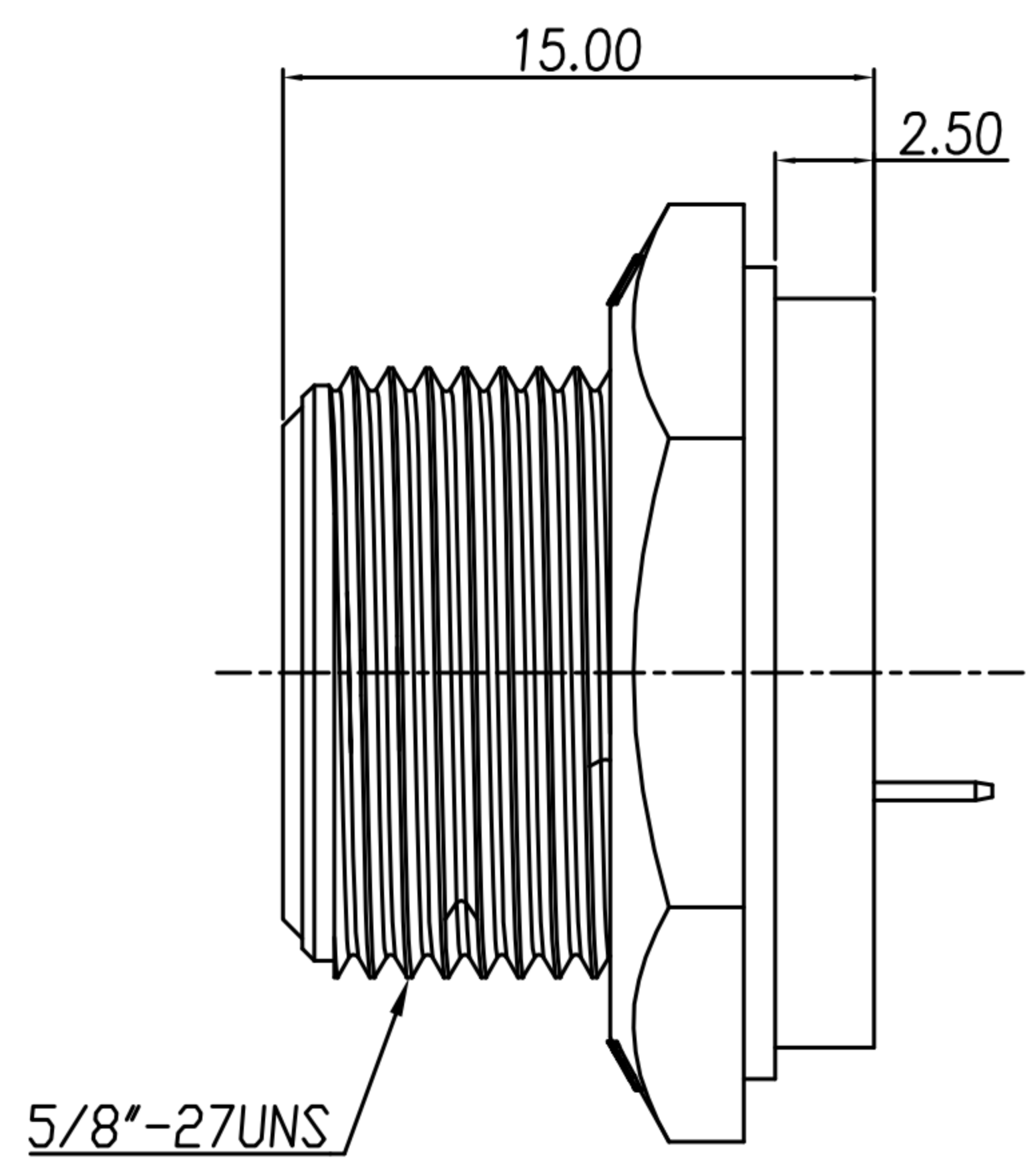
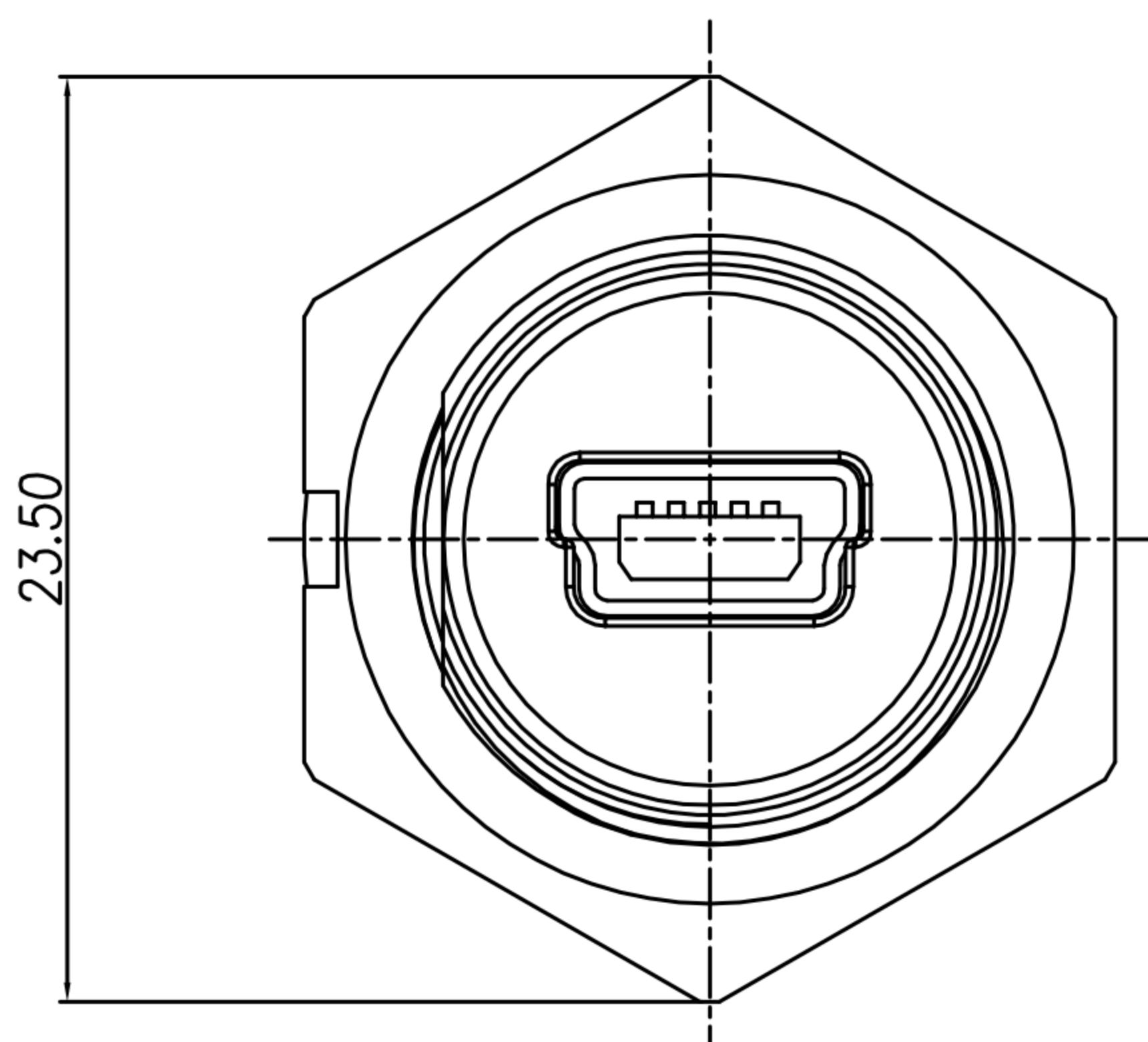
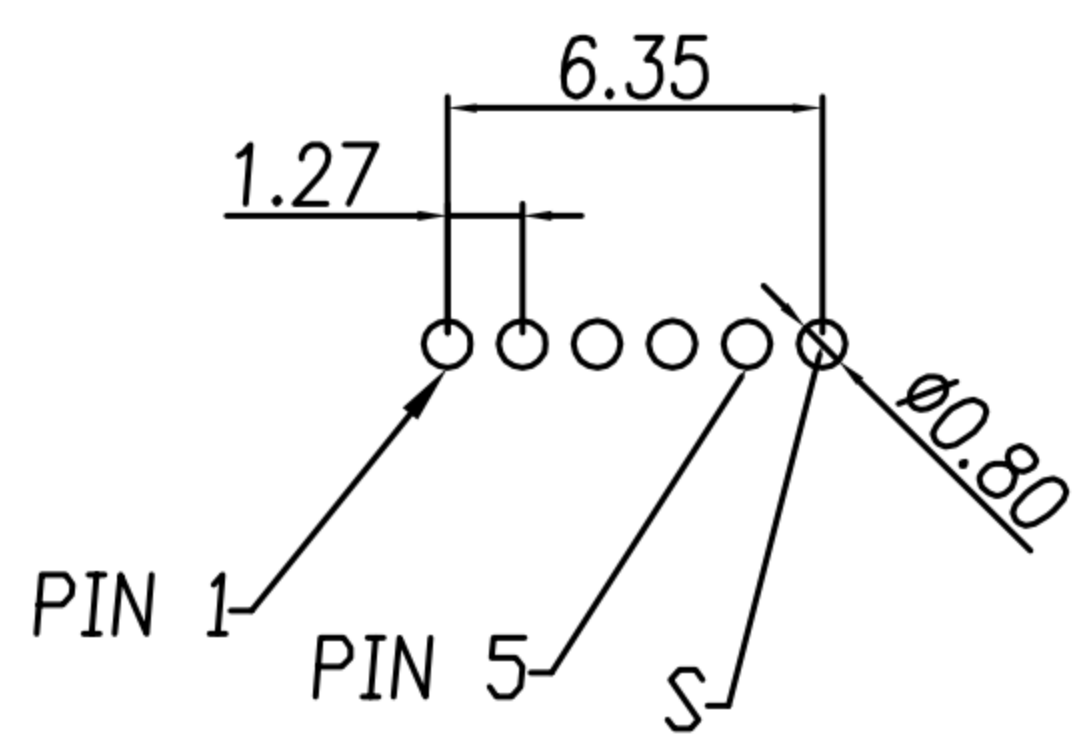


CUSTOMER DRAWING

| REV. | DESCRIPTION | APPVL. BY | DATE | ECN NO. |
|------|-------------|-----------|-----------|---------|
| A | RELEASE | Ku Chou | 11/06/19* | |
| B | | | | |
| C | | | | |



Panel Cut-Out



P.C.B LAYOUT
(TOP VIEW)

- MATERIAL :
 - 1-1. HOUSING : PBT UL94V-0 ; COLOR : BLACK.
 - 1-2. CONTACT : PHOSPHOR BRONZE
 - 1-3. SHELL : BRASS
 - 1-4. GROUND : SUS 301
 - 1-5. O-RING : SILICON ; COLOR : BLACK.
 - 1-6. NUT : PA66
 - 1-7. BODY : PA66
- FINISH :
 - 2-1. CONTACT : GOLD FLASH.
 - 2-3. SHELL : NICKEL PLTAE.
 - 2-3. SHELL : NICKEL PLTAE.
- ELECTRICAL SPECIFICATION :
 - 3-1. Rated current : 1.5A
 - 3-2. Rated Voltage : 125V
 - 3-3. Water proof : IPX7
- Environmental :
 - 4-1. Operation Temperature : -20℃~85℃

| | | | | | | | | | | | | | | |
|-------|----------|-------|---------|-------|-----|--|--|--|----------|------------------------|---------|--------|---------|---|
| DRAWN | Yeh Chou | APP'D | Ku Chou | UNIT | mm | TOLERANCE | | | TITLE | Waterproof MINI USB 5P | | | SHEET | 1 |
| CHECK | Ku Chou | | | SCALE | 1:1 | .x ±0.20 .xx ±0.10 .xxx ±0.05 .xxxx ±0.03 ANGULA ±1° | | | PART NO. | WP-05F2-181-11 | DWG NO. | QC9300 | VERSION | A |