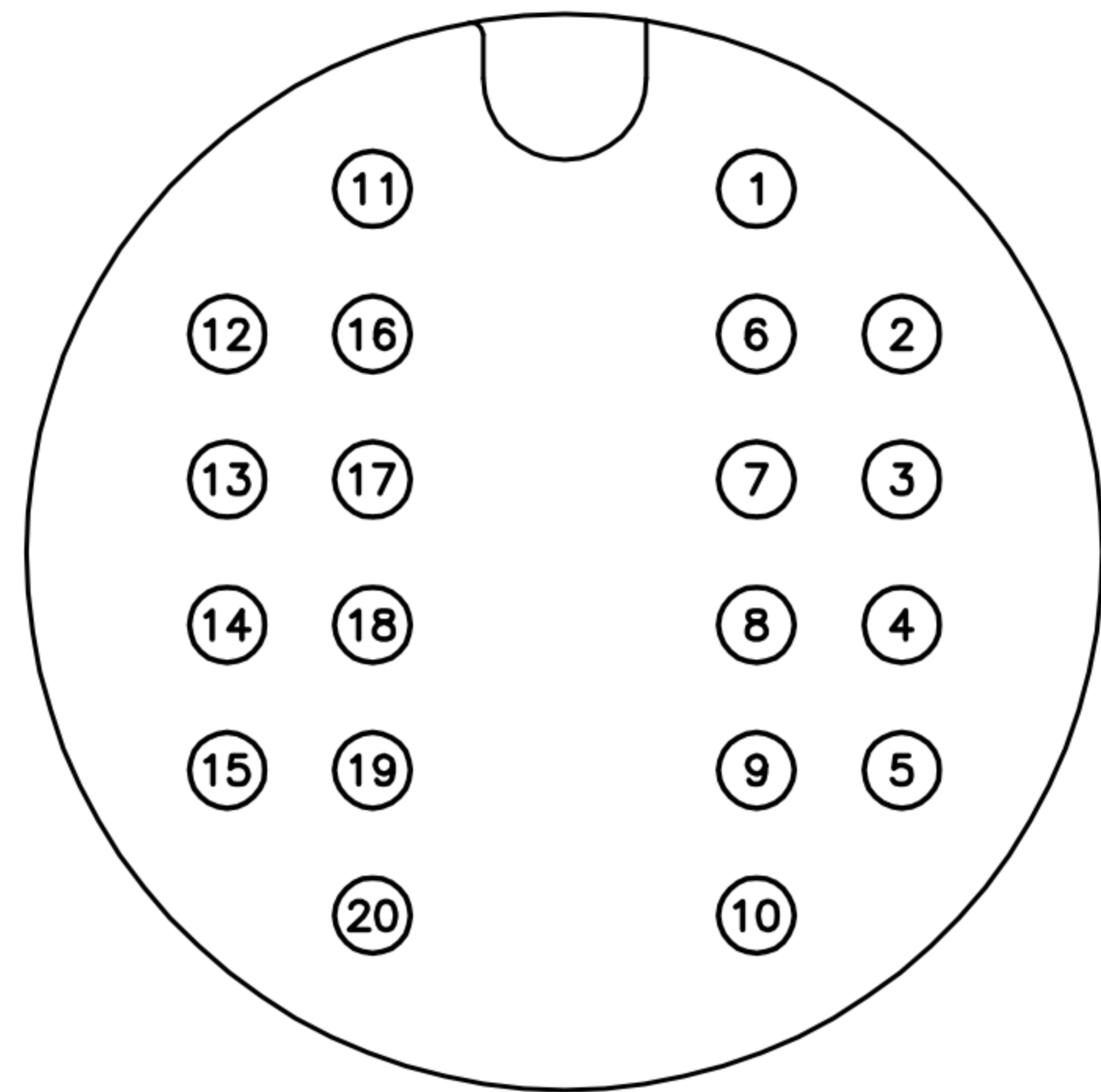


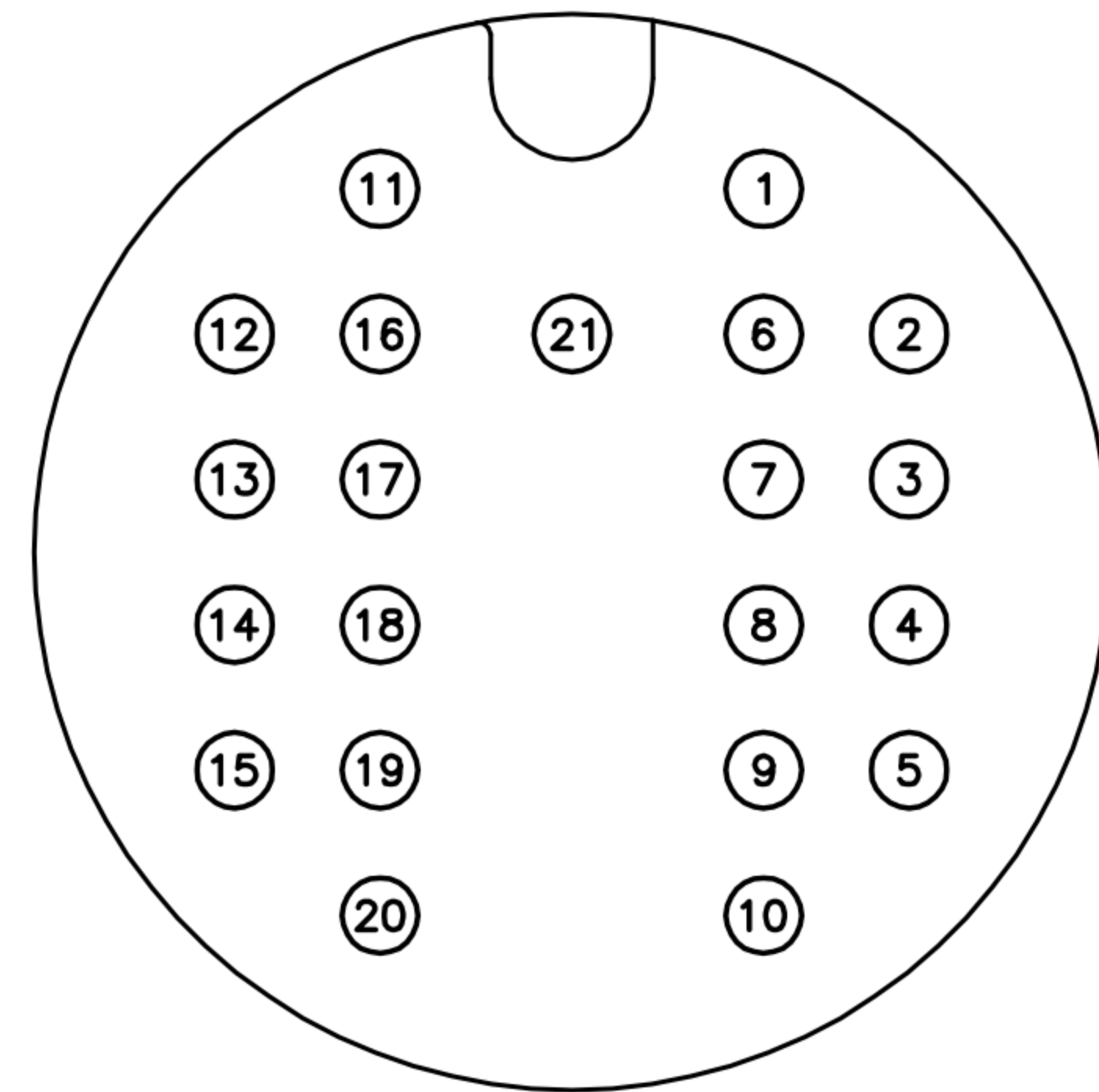
CUSTOMER DRAWING

TABLE A

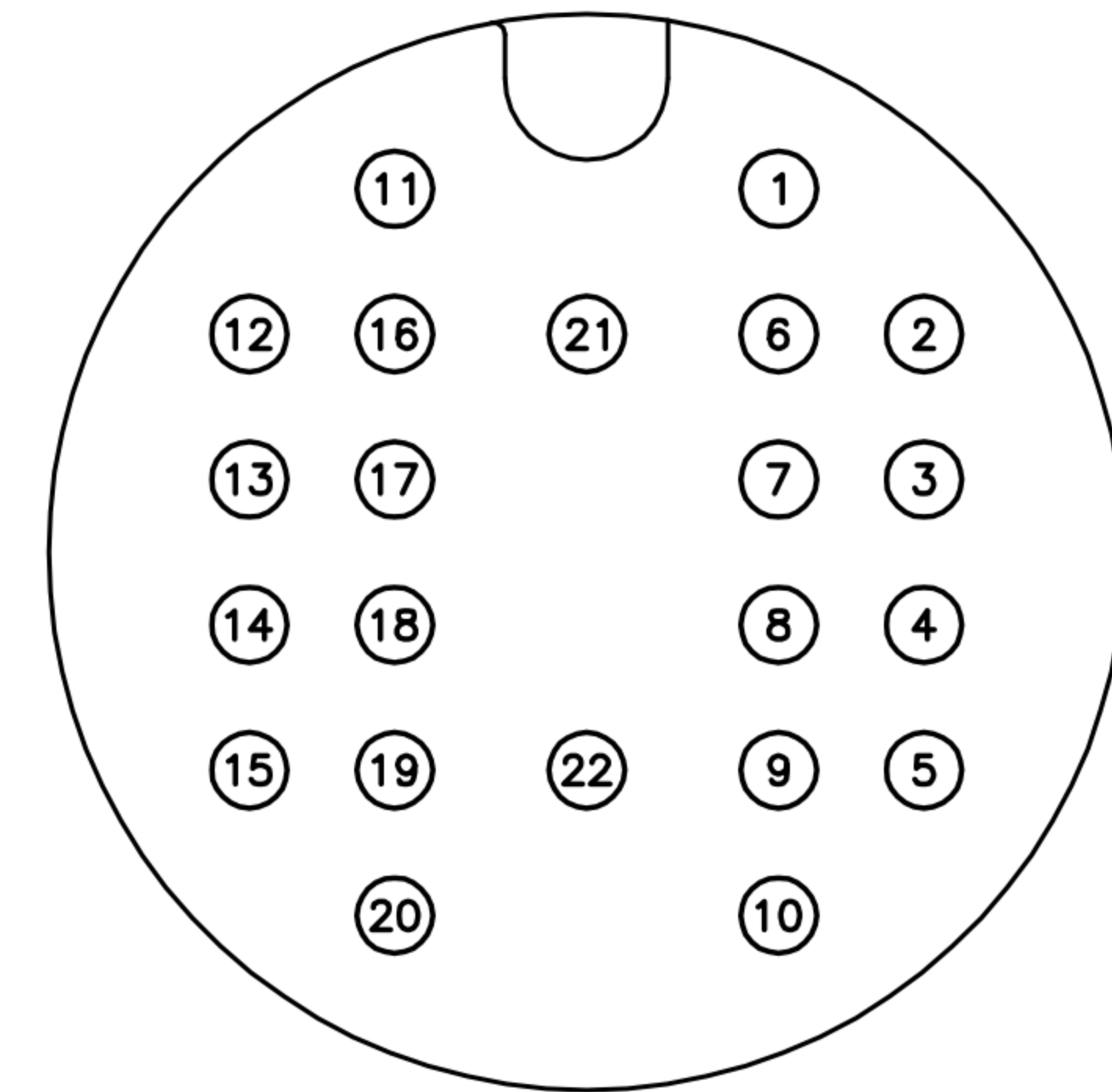
REV.	DESCRIPTION	APPROVED BY	DATE	ECN NO.
△A	RELEASE	KU Chou	14/11/18'	
△B				
△C				
△D				



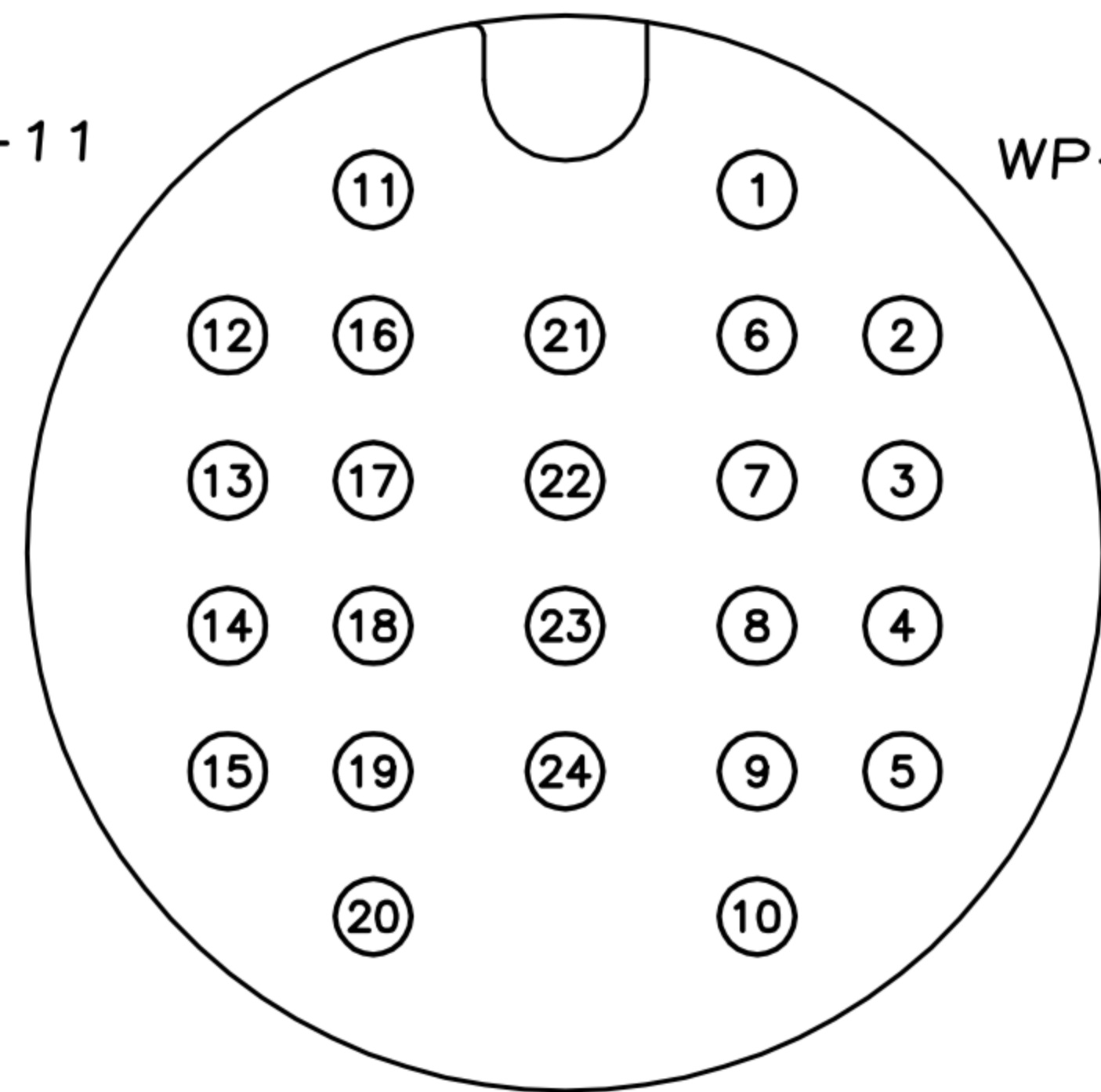
20P
WP-20F2-03-11



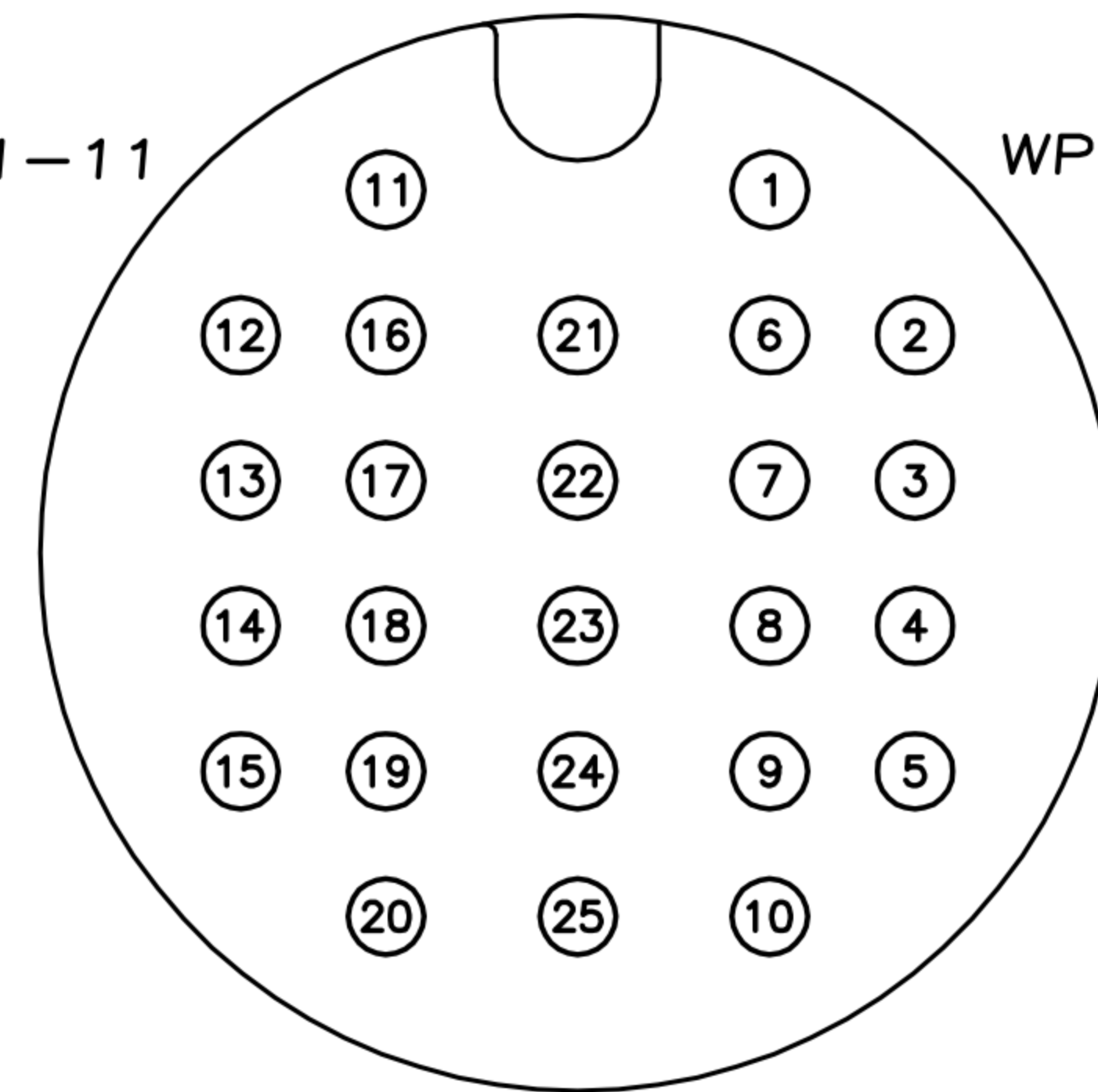
21P
WP-21F2-01-11



22P
WP-22F2-01-11



24P
WP-24F2-01-11



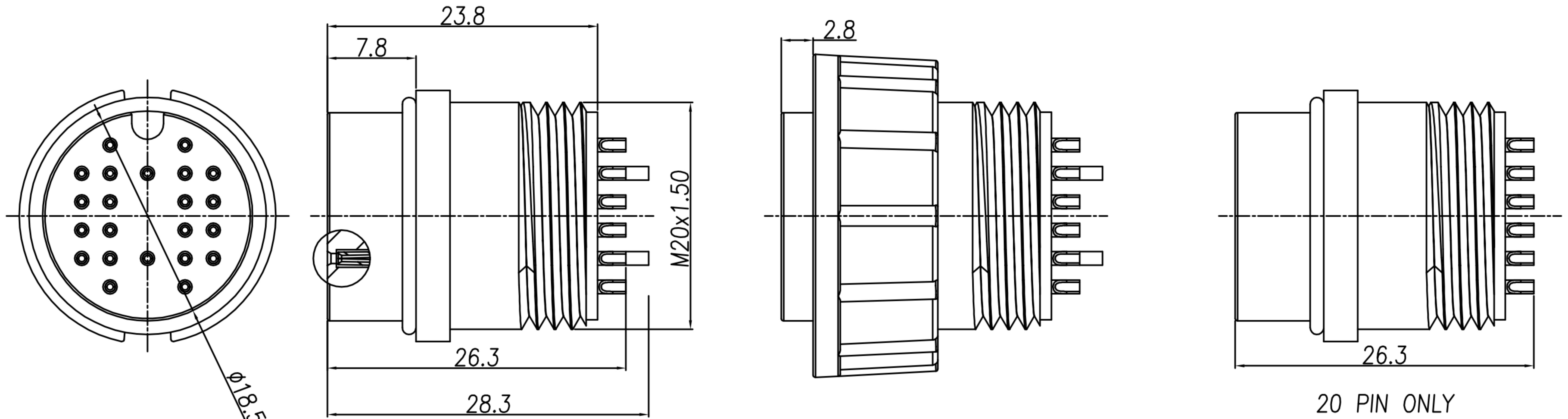
25P
WP-25F2-01-11

PIN CONFIGURATION

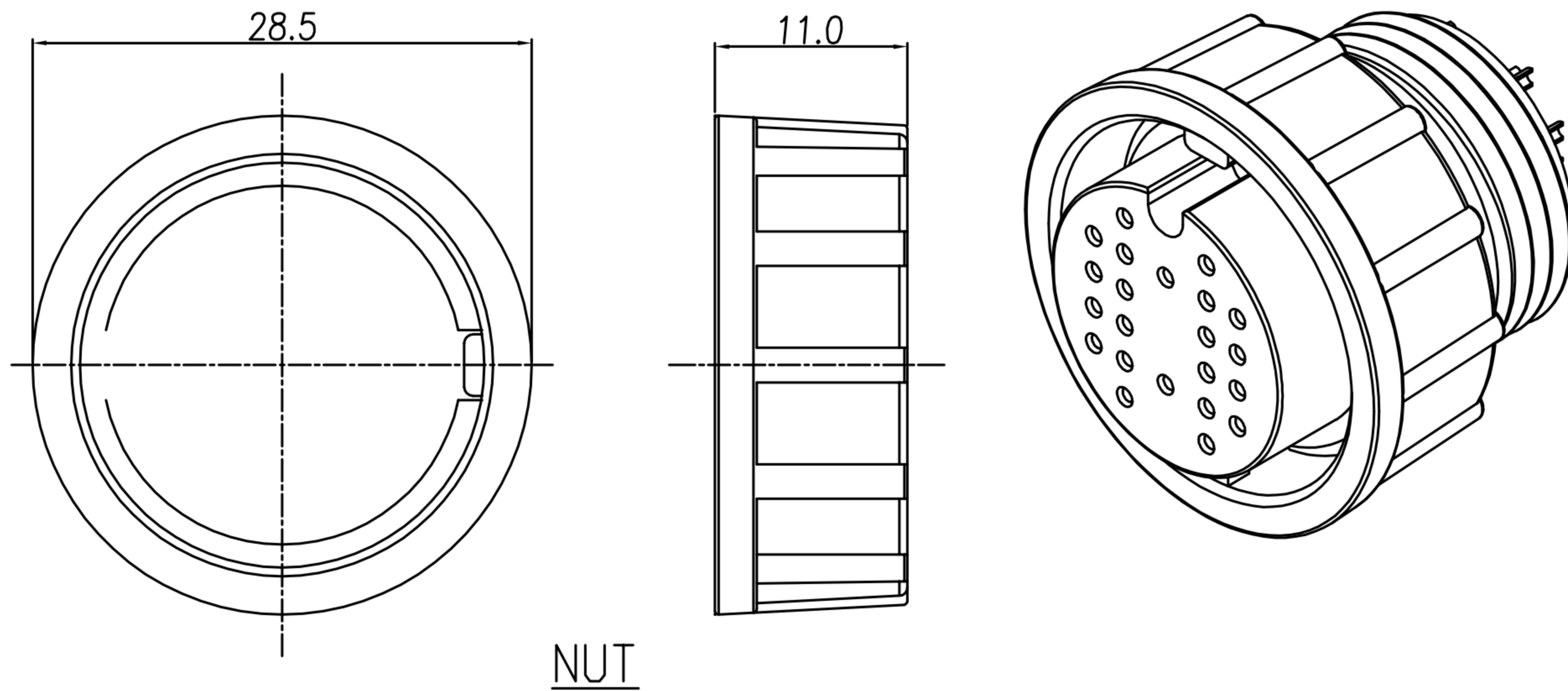
DRAWN	Yeh Chou	APP'D	KU Chou	UNIT	mm	TOLERANCE		广东科斯达电子科技有限公司 GUANG DONG KE SI DA ELECTRONIC TECHNOLOGY CO., LTD.	TITLE	WP D Size(F Conn. F PIN) Molded with Cabl(Lock Bayonet)			SHEET	2/2
CHK'D	KU Chou			SCALE	1:1	.x ±0.20 .xx ±0.10 .xxx ±0.05 .xxxx ±0.03 ANGULA ±1°			PART NO.	SEE TABLE A	DWG NO.	QC9367	VERSION	A

CUSTOMER DRAWING

REV.	DESCRIPTION	APPROVED BY	DATE	ECN NO.
△A	RELEASE	KU Chou	14/11/18'	
△B				
△C				
△D				



ASS'Y



1. MATERIAL :
 - 1-1. HOUSING : PA66
 - 1-2. CONTACT : BRASS
 - 1-3. O-RING : SILICONE
 - 1-4. NUT : PA66
2. FINISH :
 - 2-1. CONTACT : GOLD FLASH PLATED
3. ELECTRICAL SPECIFICATION :
 - 3-1. Rated current : 2A
 - 3-2. Rated Voltage : 300V
4. Environmental :
 - 4-1. Operation Temperature : -20°C~80°C

DRAWN	Emily Suen	APP'D	KU Chou	UNIT	mm	TOLERANCE		广东科斯达电子科技有限公司 GUANG DONG KE SI DA ELECTRONIC TECHNOLOGY CO., LTD.	TITLE	WP D Size(F Conn. F PIN) Molded with Cabl(Lock Bayonet)			SHEET	1/2
CHK'D	KU Chou			SCALE	1:1	.x ±0.20 .xx ±0.10 .xxx ±0.05 .xxxx ±0.03 ANGULA ±1°			PART NO.	SEE TABLE A	DWG NO.	QC9367	VERSION	A