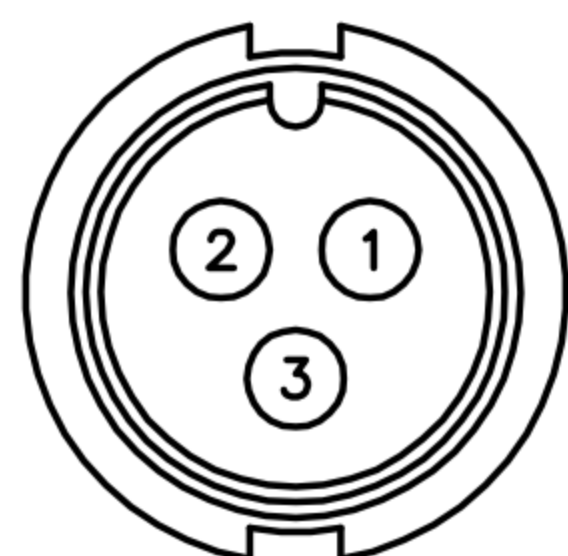
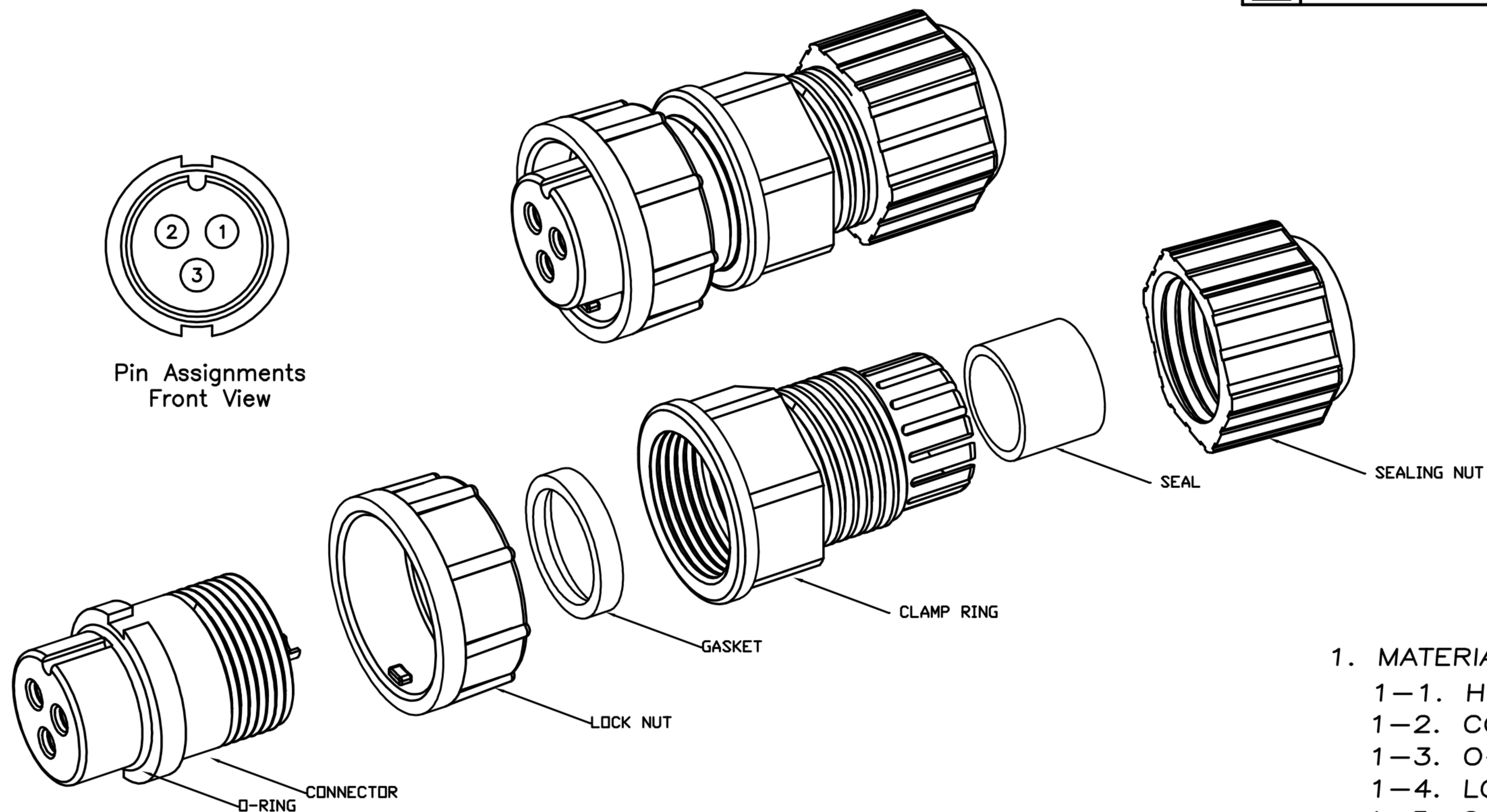


CUSTOMER DRAWING

REV.	DESCRIPTION	APPROVED BY	DATE	ECN NO.
A	RELEASE	Ku Chou	26/07/18'	
B				
C				



Pin Assignments  
Front View



1. MATERIAL :

- 1-1. HOUSING : PA66
  - 1-2. CONTACT : BRASS
  - 1-3. O-RING : SILICONE
  - 1-4. LOCK NUT : PA66
  - 1-5. GASKET : SILICONE
  - 1-6. CLAMP RING : PA66
  - 1-7. SEAL : SILICONE
  - 1-8. SEALING NUT : PA66
- CABLE OD  $\phi$  8.6mm~ $\phi$ 9.6mm

2. FINISH :

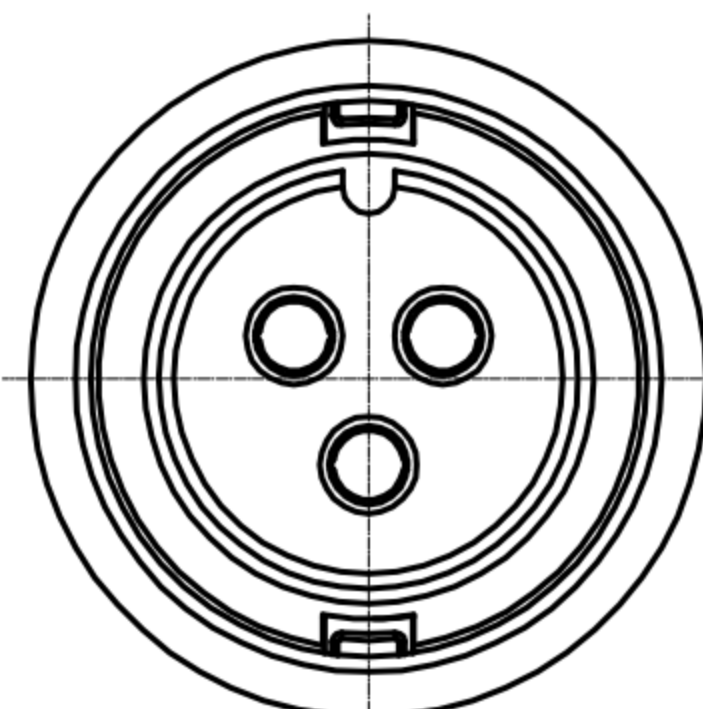
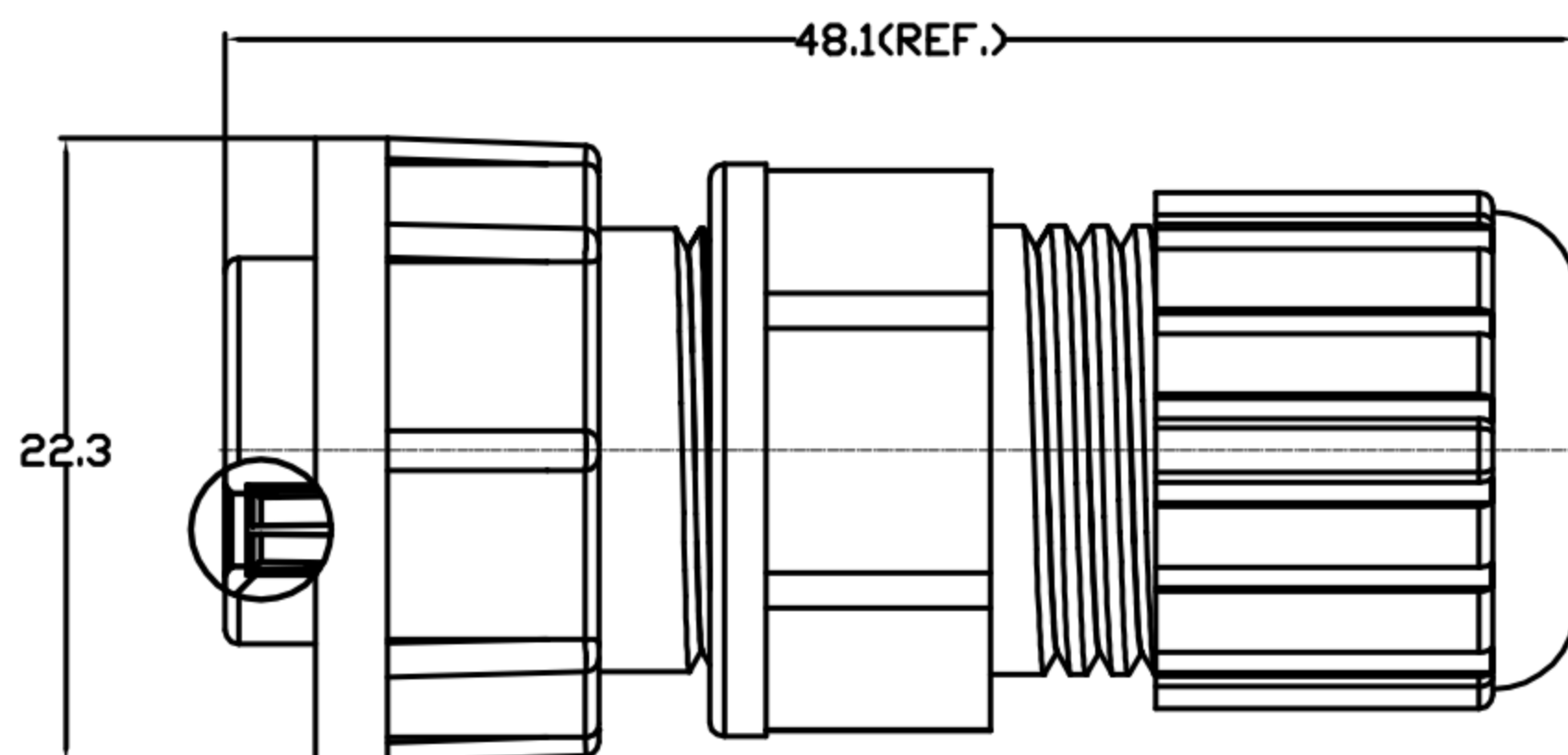
- 2-1. CONTACT : GOLD FLASH PLATED.

3. ELECTRICAL SPECIFICATION :

- 3-1. Rated current : 20A
- 3-2. Rated Voltage : 250V
- 3-3. Water proof : IP67

4. Environmental :

- 4-1. Operation Temperature :  $-40^{\circ}\text{C} \sim 105^{\circ}\text{C}$



DRAWN	Emily Suen	APP'D	Ku Chou	UNIT	mm	TOLERANCE		广东科斯达电子科技有限公司 GUANG DONG KE SI DA ELECTRONIC TECHNOLOGY CO., LTD.	TITLE	WP F CONN. F PIIN C SIZE ASSEMBLY TYPE(LOCK)-20A			SHEET	
CHK'D	Ku Chou			SCALE	1:1	.x $\pm 0.20$ .xx $\pm 0.10$ .xxx $\pm 0.05$ .xxxx $\pm 0.03$ ANGULAR $\pm 1^{\circ}$			PART NO.	WP-03F2-117-11	DWG NO.	QC9090	VERSION	