

CUSTOMER DRAWING

REV.	DESCRIPTION	APPVL. BY	DATE	ECN NO.
A	RELEASE	Fido Weng	16/07/12*	
B	修正油封材質	Ku Chou	20/07/18*	
C				

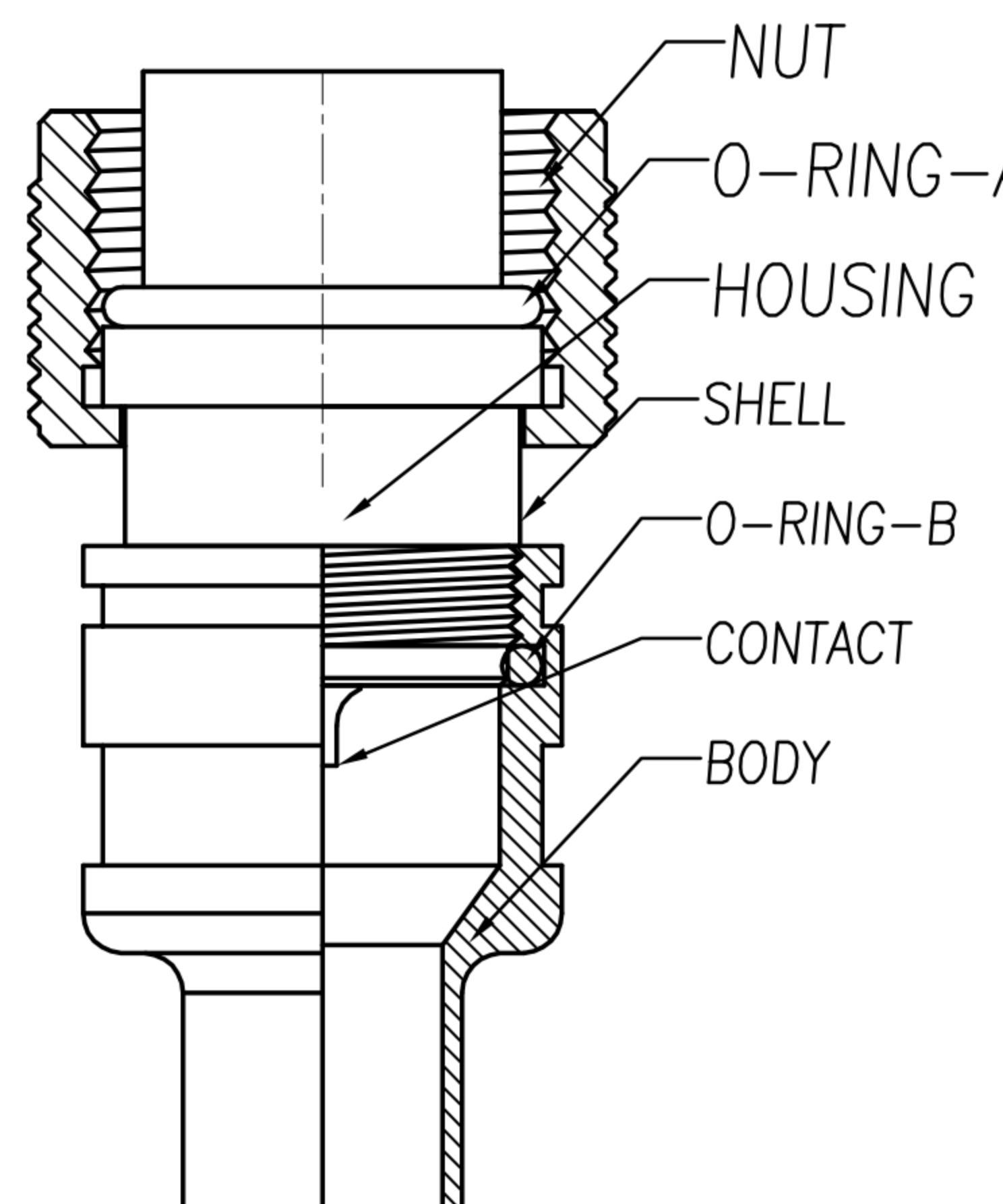
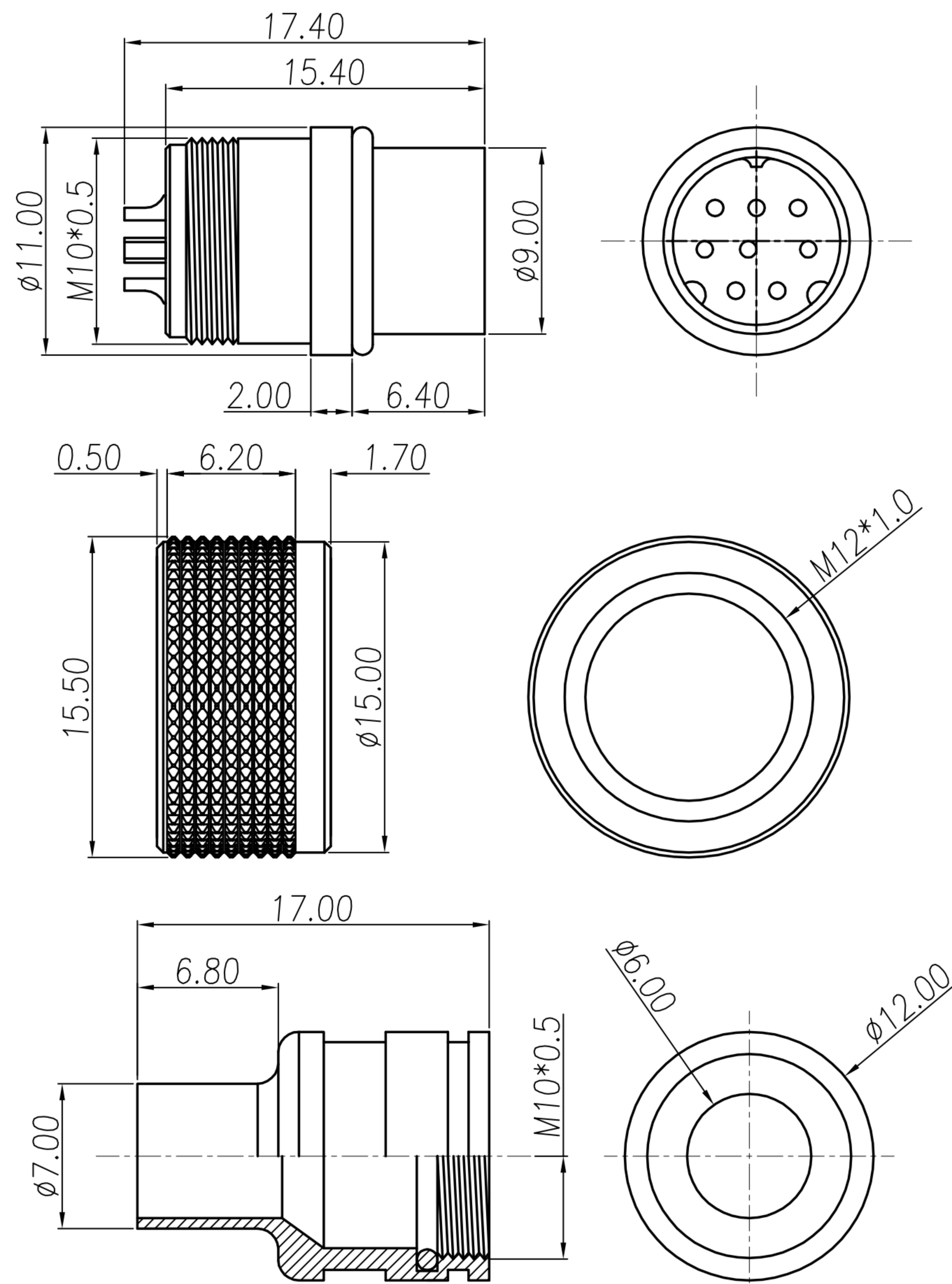


TABLE A

WP-03M2-51-11	WP-04M2-106-11
WP-05M2-92-11	WP-06M2-42-11
WP-07M2-06-11	WP-08M2-45-11

- MATERIAL :
 - 1-1. HOUSING : PBT UL94V-0 ; COLOR : BLACK
 - 1-2. CONTACT : BRASS
 - 1-3. SHELL : BRASS
 - 1-4. NUT : BRASS
 - 1-5. O-RING-A : SILICONE ; COLOR : BLACK
 - 1-6. BODY : BRASS
 - 1-7. O-RING-B : EPDM ; COLOR : BLACK
- FINISH :
 - 2-1. CONTACT : GOLD FLASH.
UNDER PLATE : NICKEL
 - 2-2. SHELL : NICKEL PLATED.
 - 2-3. NUT : NICKEL PLATED.
 - 2-4. BODY : NICKEL PLATED.
- ELECTRICAL SPECIFICATION :
 - 3-1. Rated current : 2A
 - 3-2. Rated Voltage : 12V
 - 3-3. Water proof: IPX7
- Environmental :
 - 4-1. Operation Temperature : $-20^{\circ}\text{C} \sim 85^{\circ}\text{C}$

DRAW	Hulk Zhang	APPVL	Emily Suen	UNIT	mm	TOLERANCE		广东科斯达电子科技有限公司 GUANG DONG KE SI DA ELECTRONIC TECHNOLOGY CO., LTD.	TITLE	防水MINI DIN (M) 線端焊線式			SHEET
CHECK	Emily Suen			SCALE	1:1	.x ± 0.20 .xx ± 0.10 .xxx ± 0.05 .xxxx ± 0.03 ANGULA $\pm 1'$			PART NO.	SEE TABLE A	DWG NO.	QC7271	VERSION B