

CUSTOMER DRAWING

REV.	DESCRIPTION	APPROVED BY	DATE	ECN NO.
A	RELEASE	Ku Chou	12/04/18'	
B				
C				

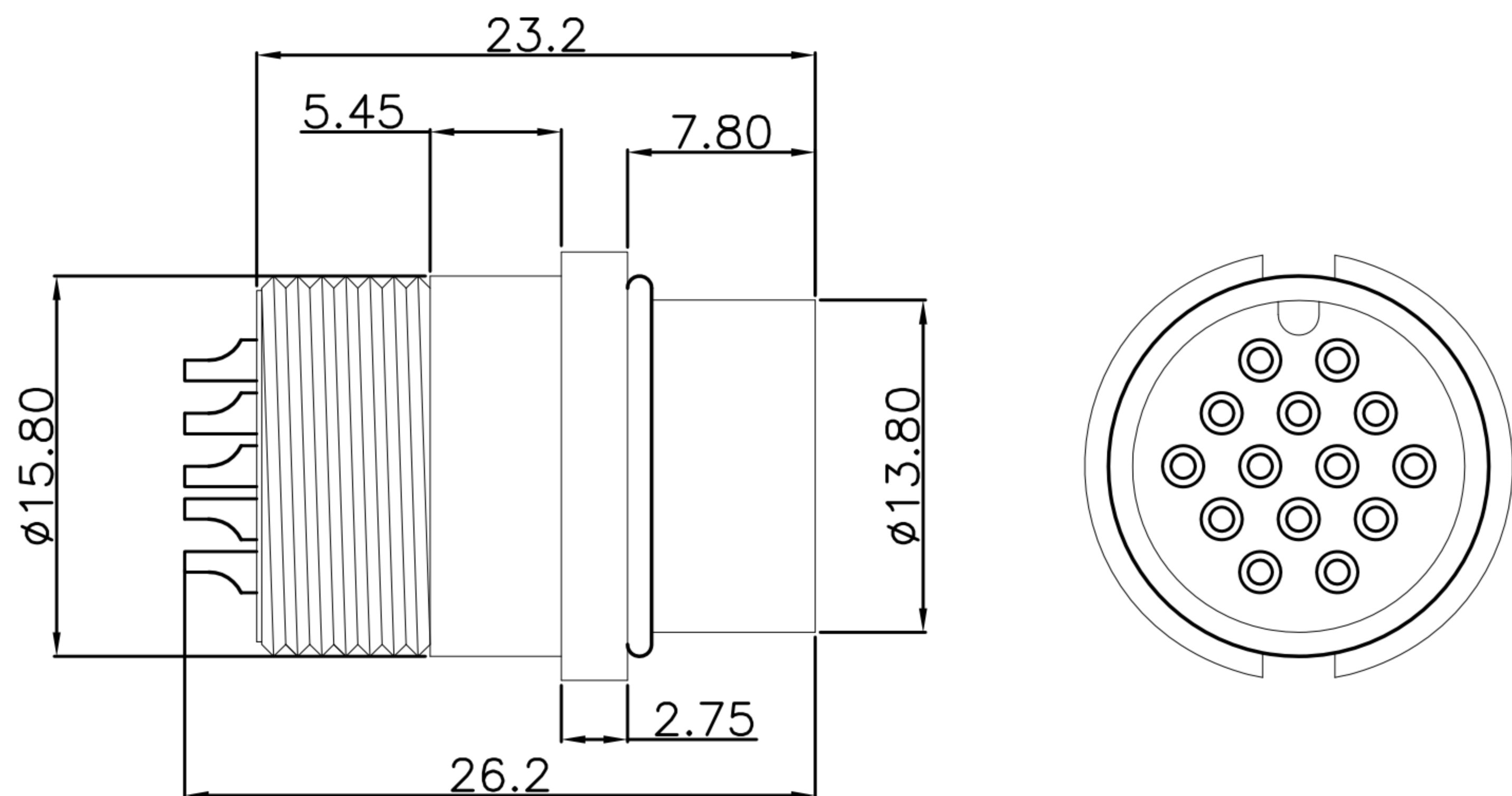
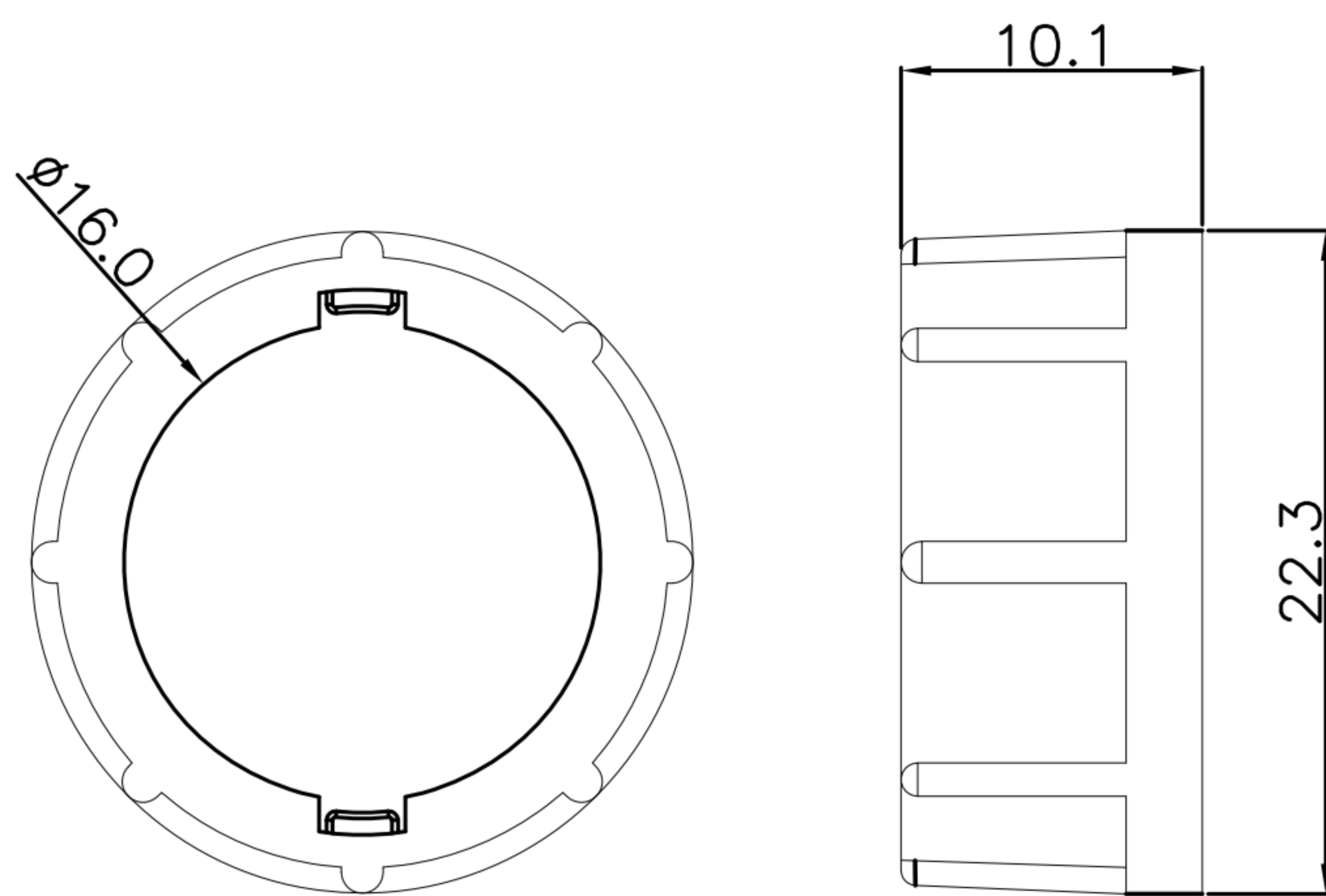


TABLE A

<p>07 PIN WP-07F1-01-11</p>	<p>08 PIN WP-08F1-01-11</p>
<p>09 PIN WP-09F1-01-11</p>	<p>10 PIN WP-10F1-02-11</p>
<p>12 PIN WP-12F1-01-11</p>	<p>14 PIN WP-14F1-01-11</p>



Hex Nut

- MATERIAL :
 - 1-1. HOUSING : PA66
 - 1-2. CONTACT : BRASS
 - 1-3. O-RING : SILICONE
 - 1-4. HEX NUT : PA66
- FINISH :
 - 2-1. CONTACT : GOLD FLASH PLATED.
- ELECTRICAL SPECIFICATION :
 - 3-1. Rated current : 5A
 - 3-2. Rated Voltage : 250V
 - 3-3. Water proof : IP67
- Environmental :
 - 4-1. Operation Temperature : -20℃~80℃

DRAWN	Emily Suen	APP'D	Ku Chou	UNIT	mm	TOLERANCE			TITLE	WP C Size(F) Molded with Cabl(Lock Bayonet)			SHEET	
CHK'D	Ku Chou			SCALE	1:1	.x ±0.20 .xx ±0.10 .xxx ±0.05 .xxxx ±0.03 ANGULA ±1°			PART NO.	SEE TABLE A	DWG NO.	QC8258	VERSION	