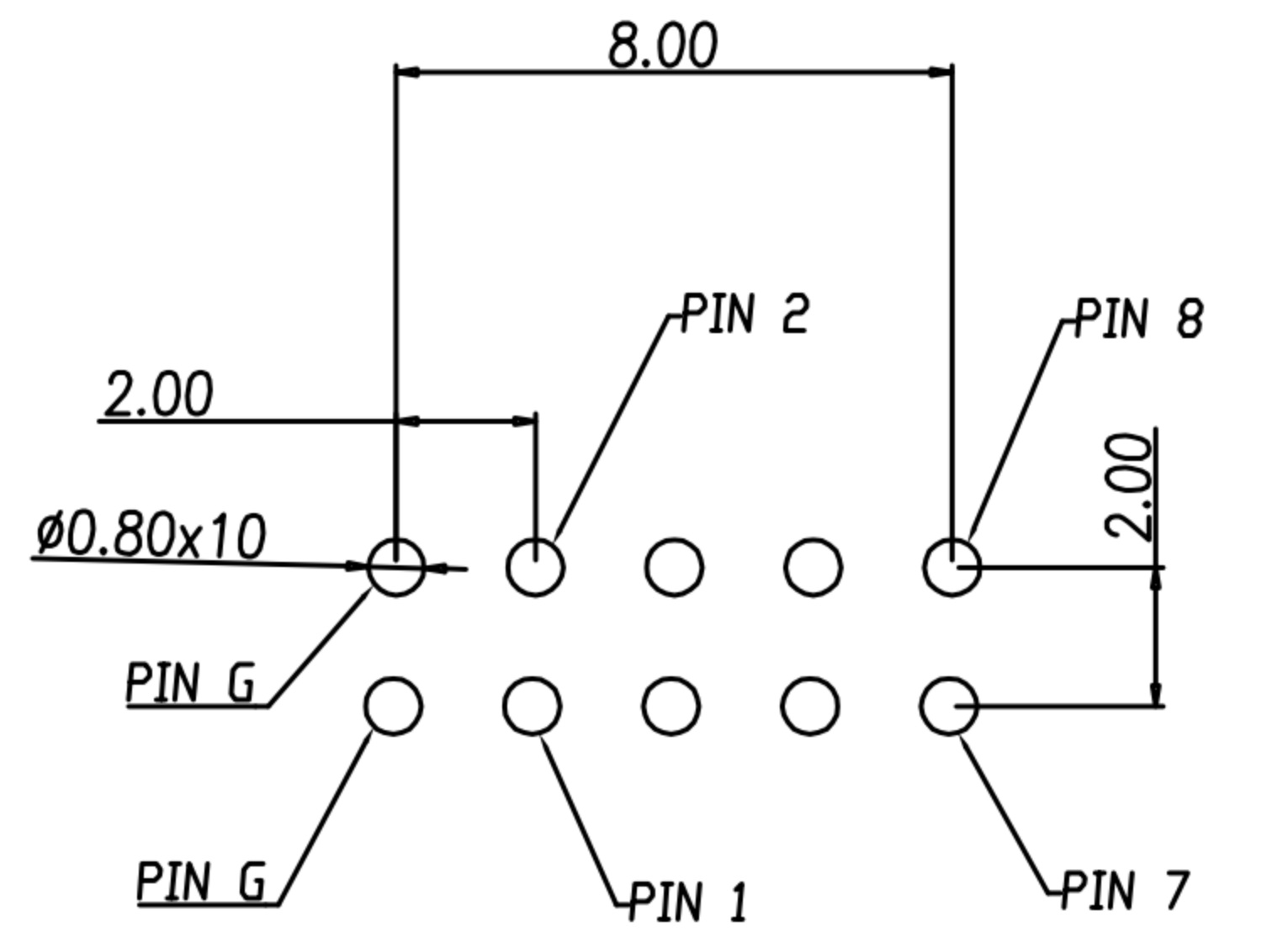
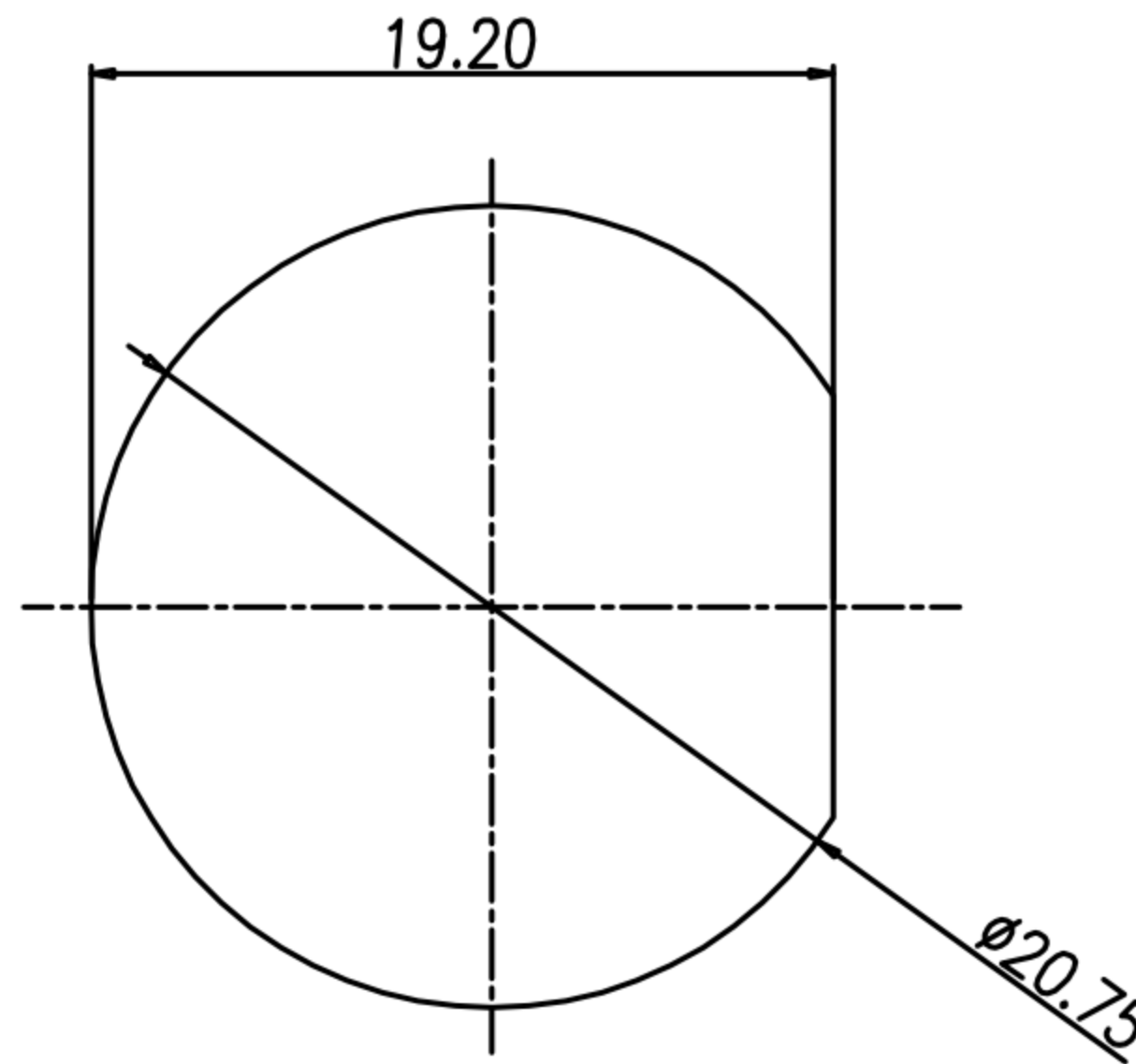
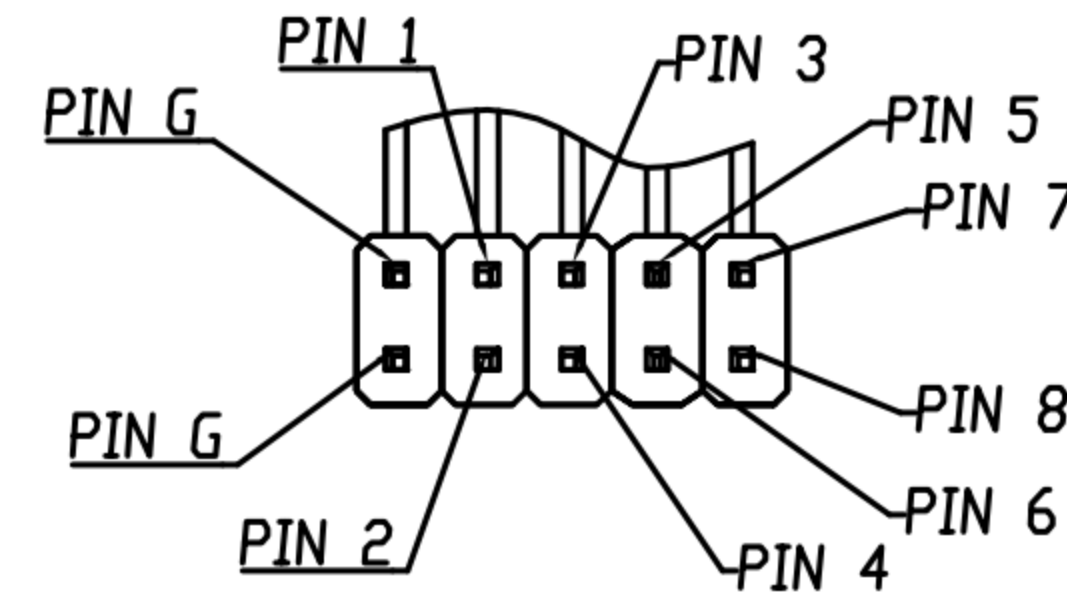
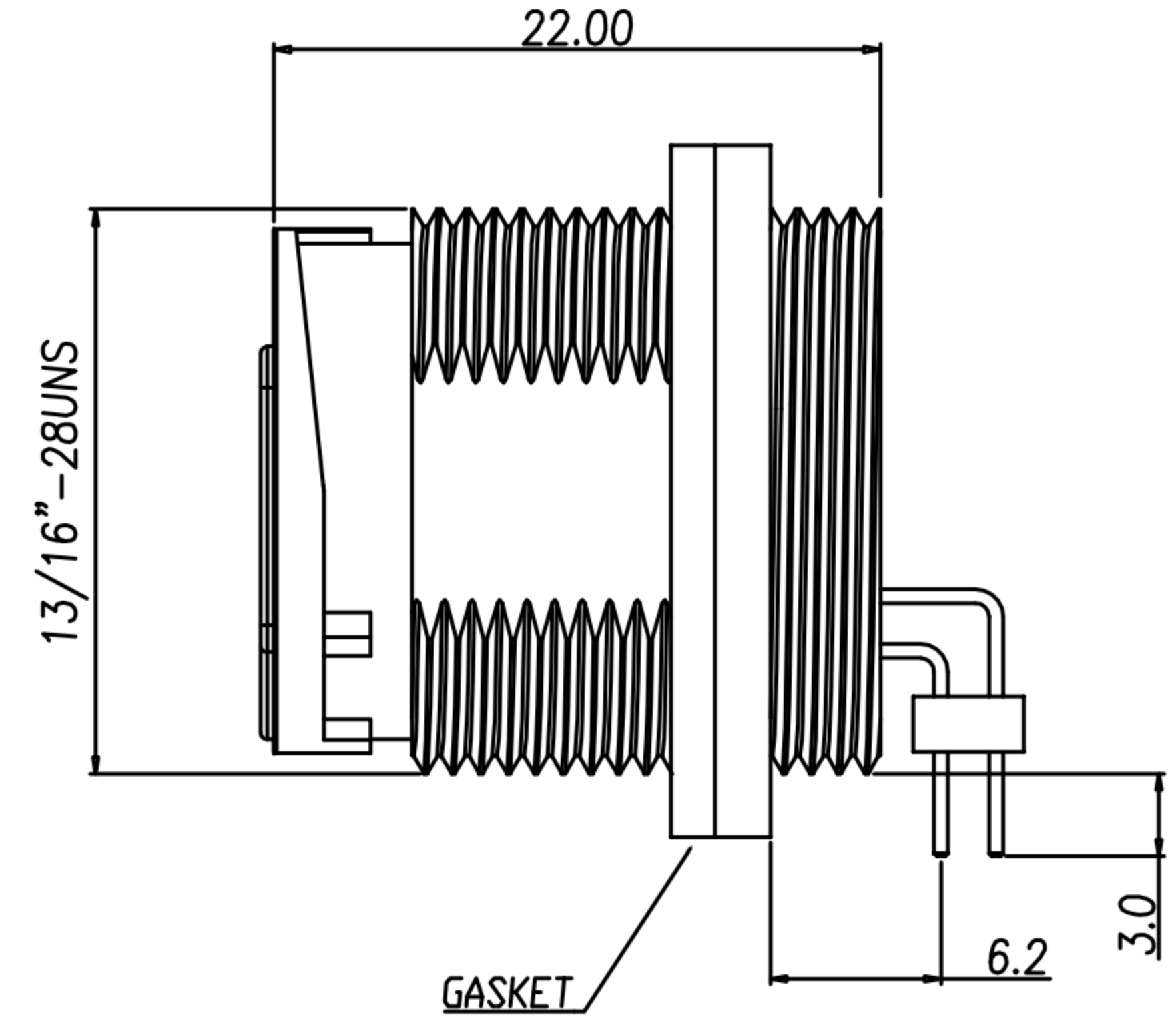
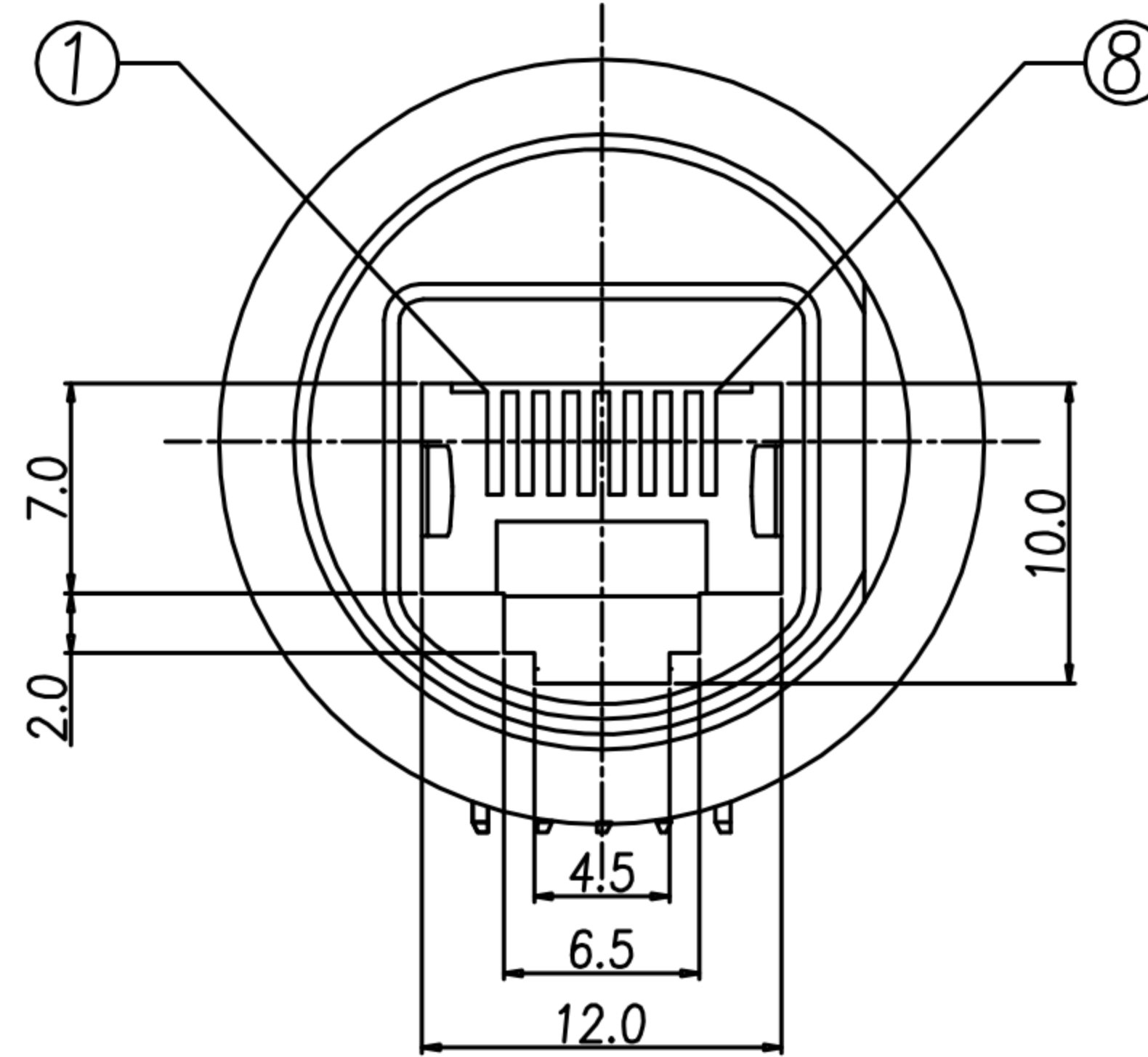


CUSTOMER DRAWING

| REV. | DESCRIPTION | APPVL. BY | DATE | ECN NO. |
|------|--------------------------|-----------|-----------|---------|
| △A | RELEASE | Yeh Chou | | |
| △B | MODIFY MATERIAL & FINISH | Yeh Chou | 03/06/19" | |
| △C | CHANGE PANLE CUT-OUT | Yeh Chou | 21/06/19" | |

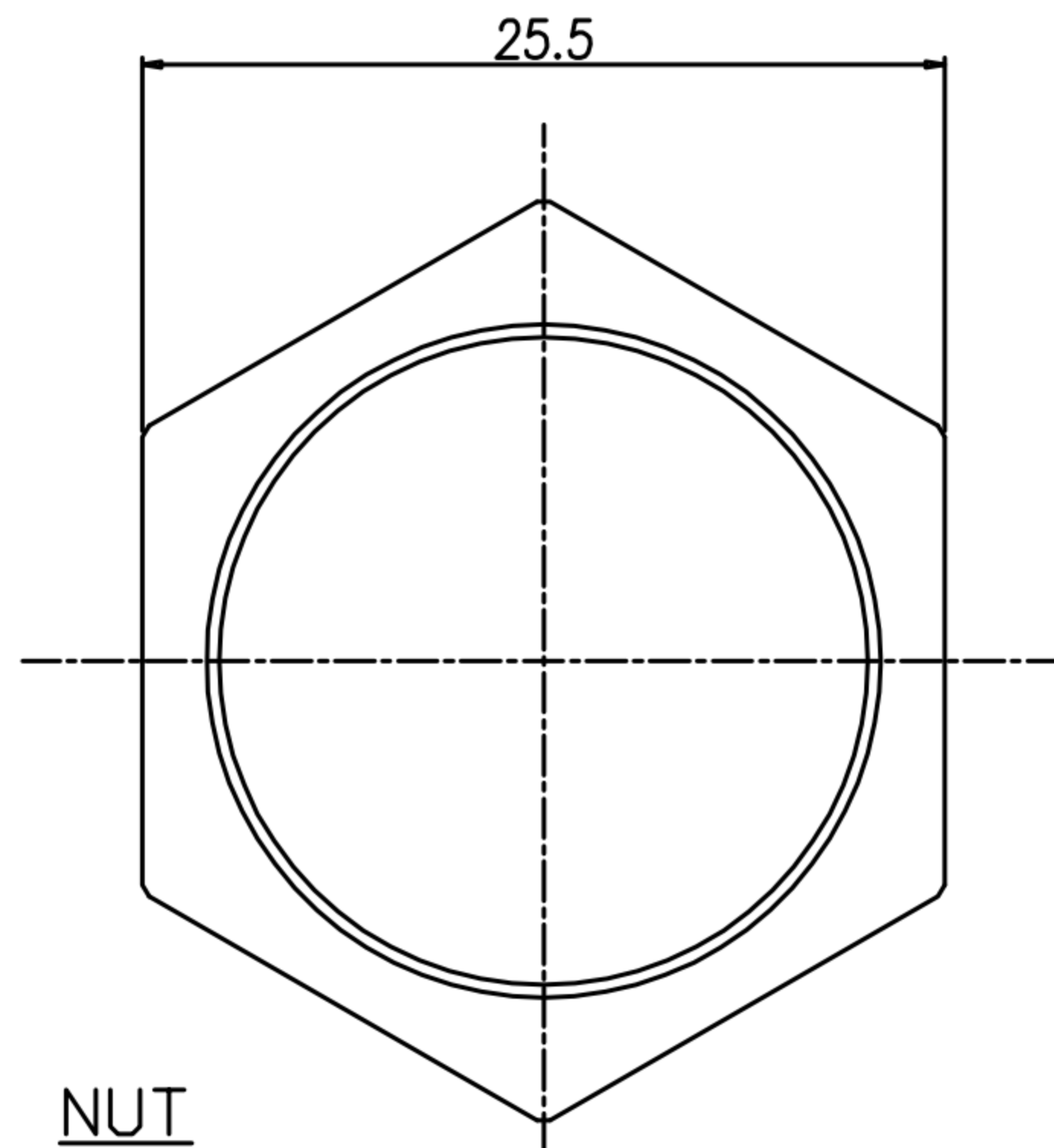
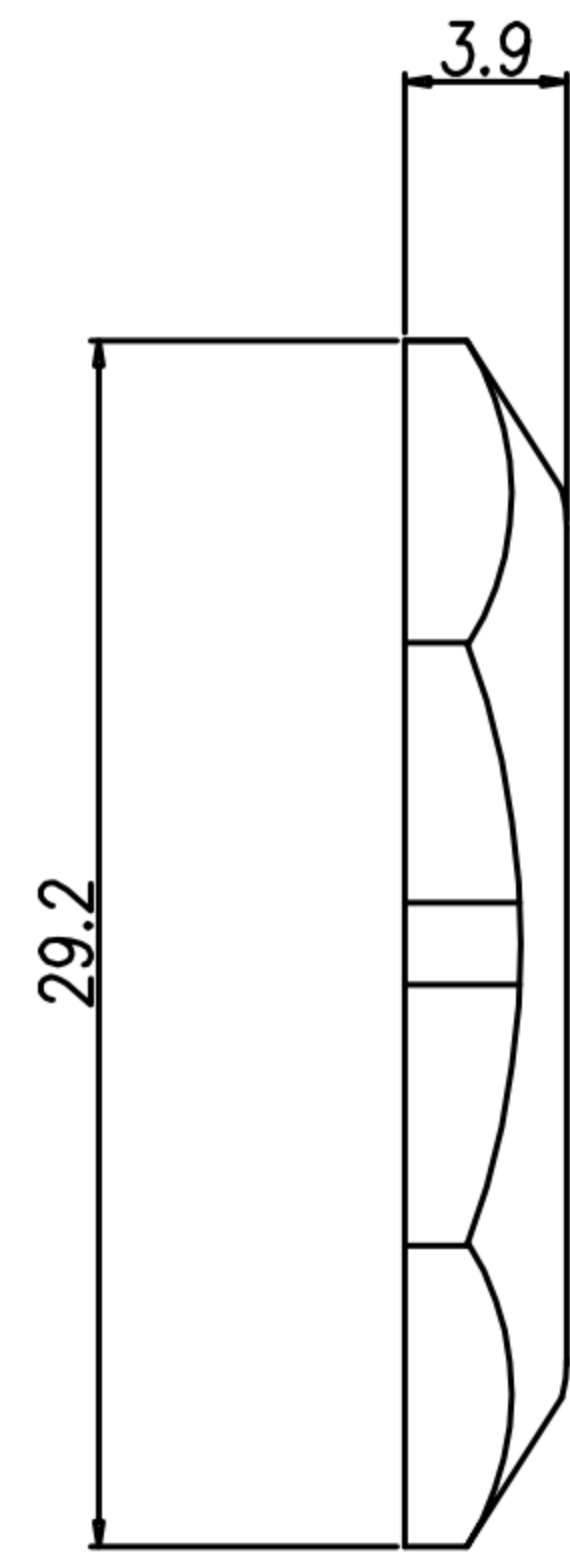


P.C.B LAYOUT (TOP VIEW)
SCALE 2:1



Panel Cut-Out

- △B 1. MATERIAL :
- 1-1. HOUSING : PBT UL94V-0 ; COLOR : BLACK.
 - 1-2. CONTACT : PHOSPHOR BRONZE
 - 1-3. SHELL : PA66
 - 1-4. GROUND : SUS 301
 - 1-5. GASKET : SILICONE ; COLOR : BLACK.
 - 1-6. NUT : PA66
- △B 2. FINISH :
- 2-1. CONTACT : GOLD FLASH MICRO INCHES MIN.
3. ELECTRICAL SPECIFICATION :
- 3-1. Rated current : 1.5A
 - 3-2. Rated Voltage : 125V
 - 3-3. Water proof : IPX7
4. Environmental :
- 4-1. Operation Temperature : -20℃~85℃



NUT

| | | | | | | | | | | | | | | |
|-------|------------|-------|-----------|-------|-----|-----------|--|----------------------------------------------------------------------|----------|---------------------------|---------|--------|---------|---|
| DRAW | Ku Chou | APPVL | Fido Weng | UNIT | mm | TOLERANCE | | 广东科斯达电子科技有限公司 GUANG DONG KE SI DA ELECTRONIC TECHNOLOGY CO., LTD. | TITLE | 防水RJ45 8PIN(F)(全塑快装型) 90度 | | | SHEET | 1 |
| CHECK | Emily Suen | | | SCALE | 1:1 | | | | PART NO. | RJ-08F2-16-11 | DWG NO. | QC9132 | VERSION | C |