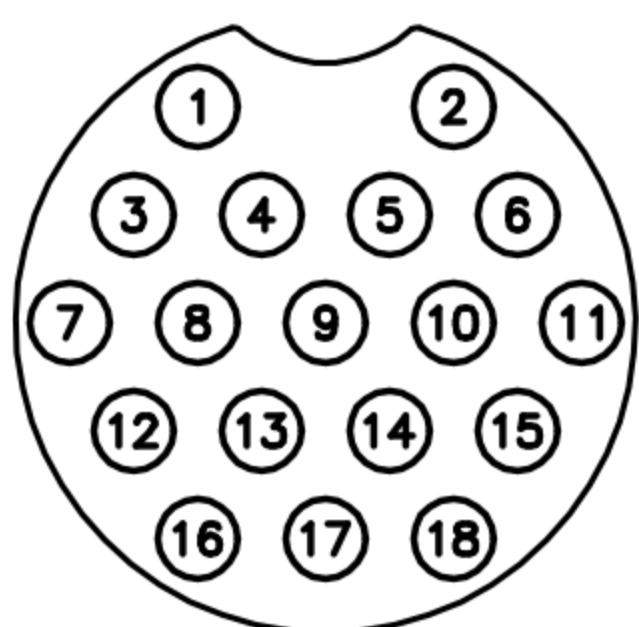
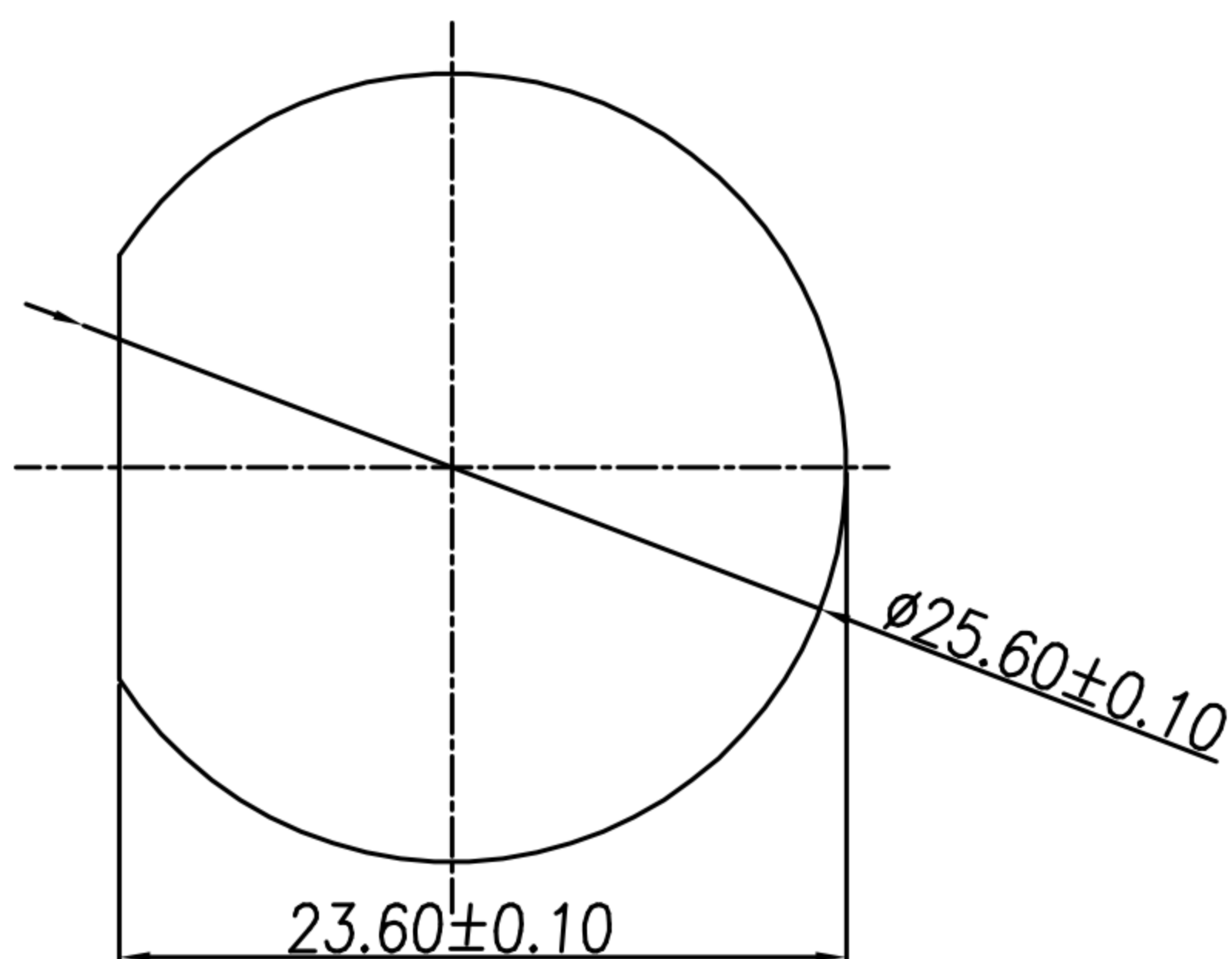
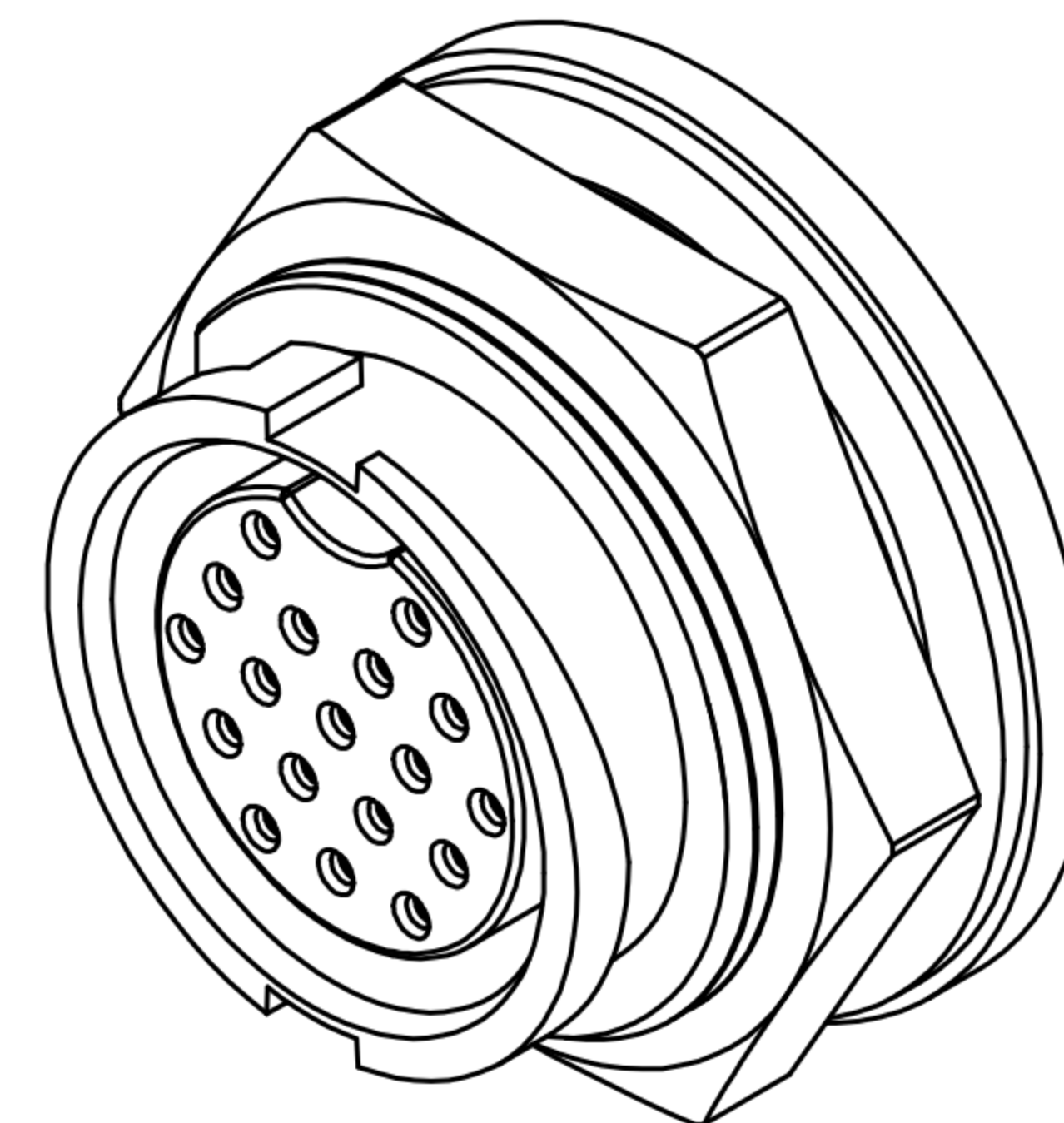
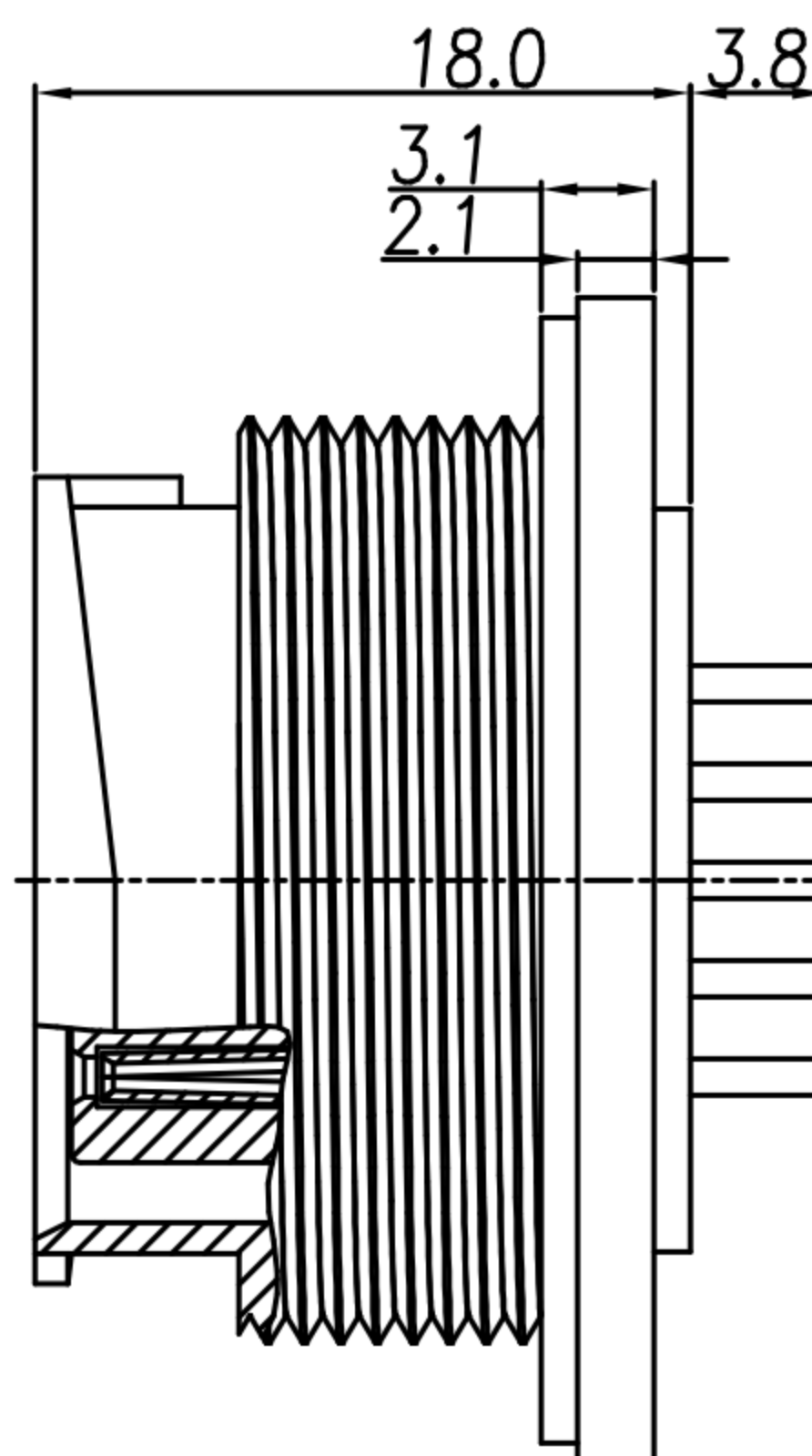
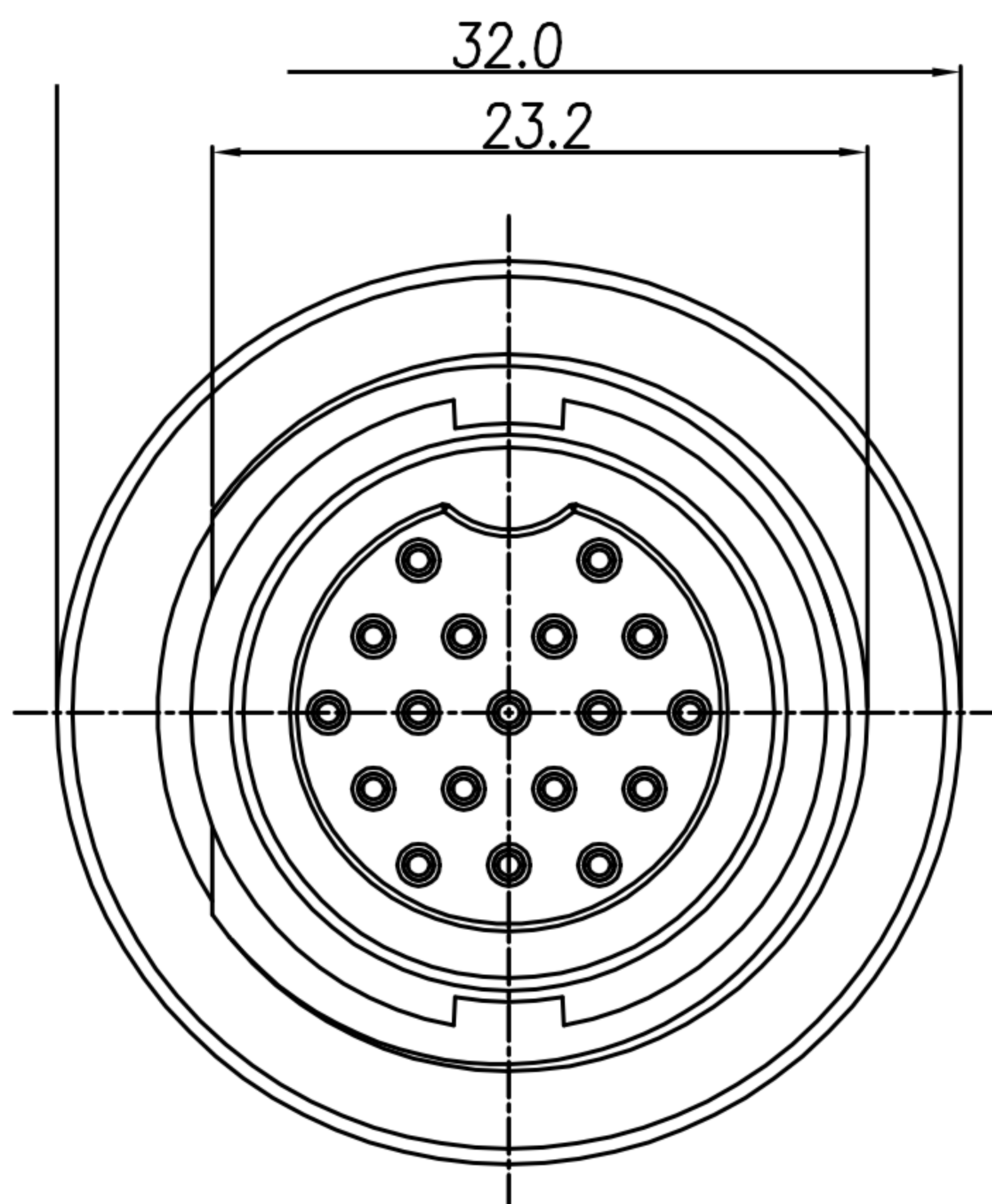


# CUSTOMER DRAWING

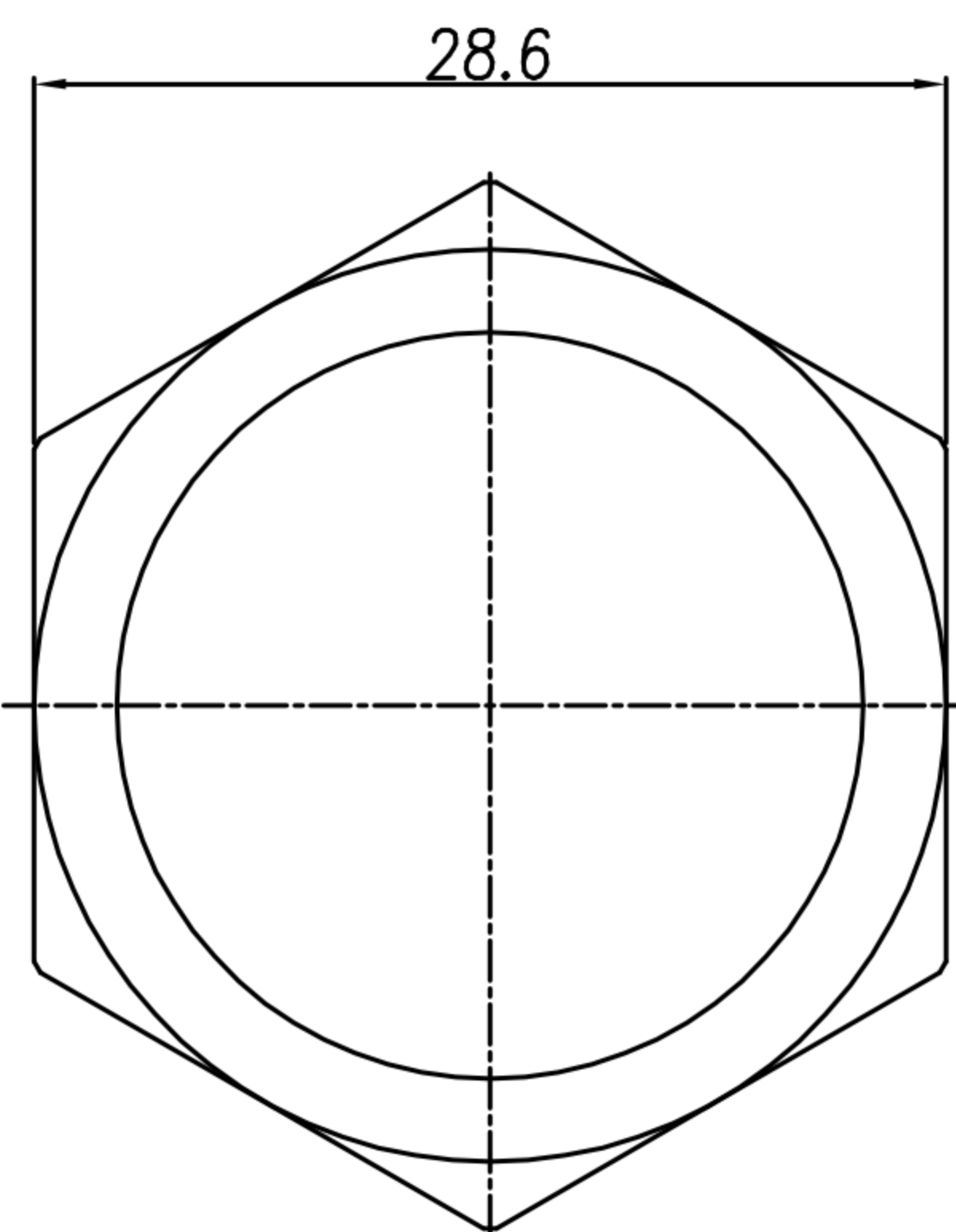
REV.	DESCRIPTION	APPROVED BY	DATE	ECN NO.
A	RELEASE	Yeh Chou	2017/09/07	
B	增加密視圖 & 修正墊圈材質與電度規格	Ku Chou	02/05/18'	
C				



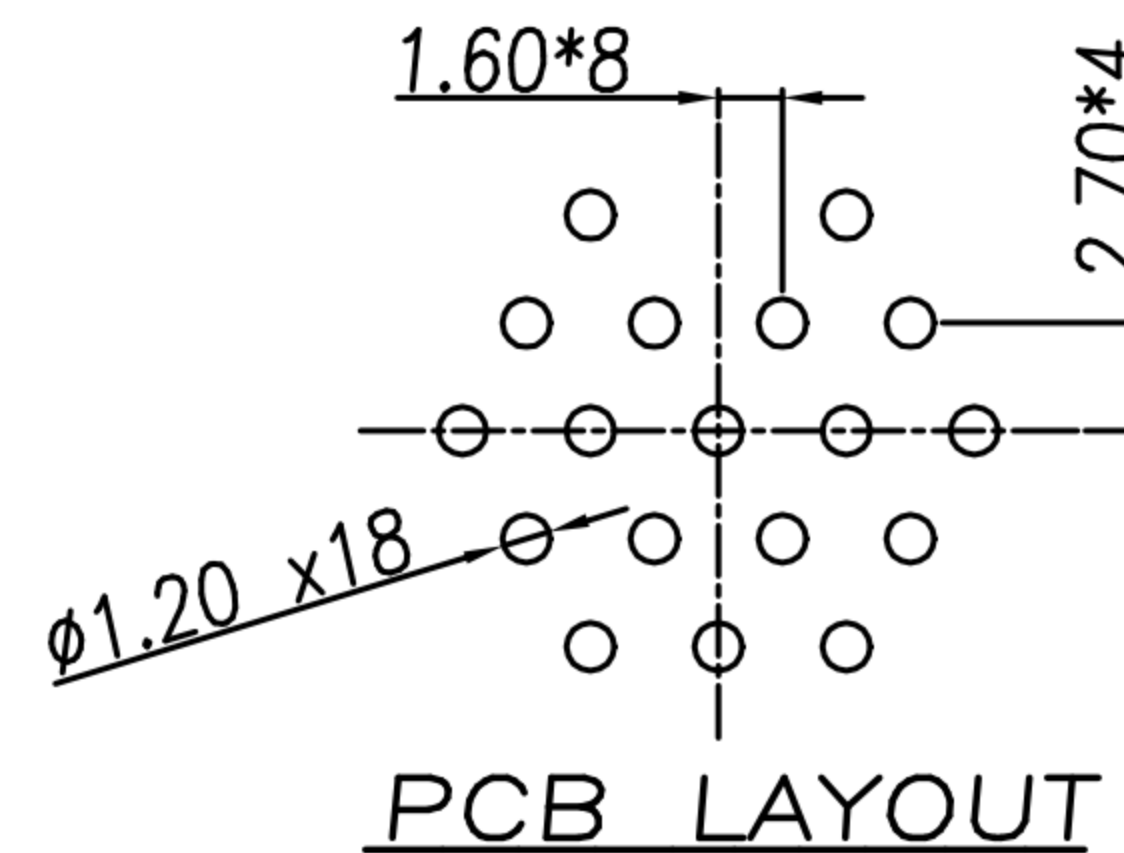
PIN CONFIGURATION



RECOMMEND PANEL HOLE



Hex Nut



- PCB LAYOUT
- MATERIAL :
    - 1-1. HOUSING : PA66
    - 1-2. CONTACT : BRASS
    - 1-3. GASKET : SILICONE
    - 1-4. HEX NUT : PA66
  - FINISH :
    - 2-1. CONTACT : GOLD FLASH PLATED
  - ELECTRICAL SPECIFICATION :
    - 3-1. Rated current : 5A
    - 3-2. Rated Voltage : 300V
  - Environmental :
    - 4-1. Operation Temperature : -40℃~105℃

DRAWN	Yeh Chou	APP'D	KU Chou	UNIT	mm	TOLERANCE		广东科斯达电子科技有限公司 GUANG DONG KE SI DA ELECTRONIC TECHNOLOGY CO., LTD.	TITLE	D SIZE 18P (F) 快鎖 DIP (圓型槽板)			SHEET	
CHK'D	KU Chou			SCALE	1:1	.x ±0.20 .xx ±0.10 .xxx ±0.05 .xxxx ±0.03 ANGULA ±1°			PART NO.	WP-18F2-03-11	DWG NO.	QC7889	VERSION	