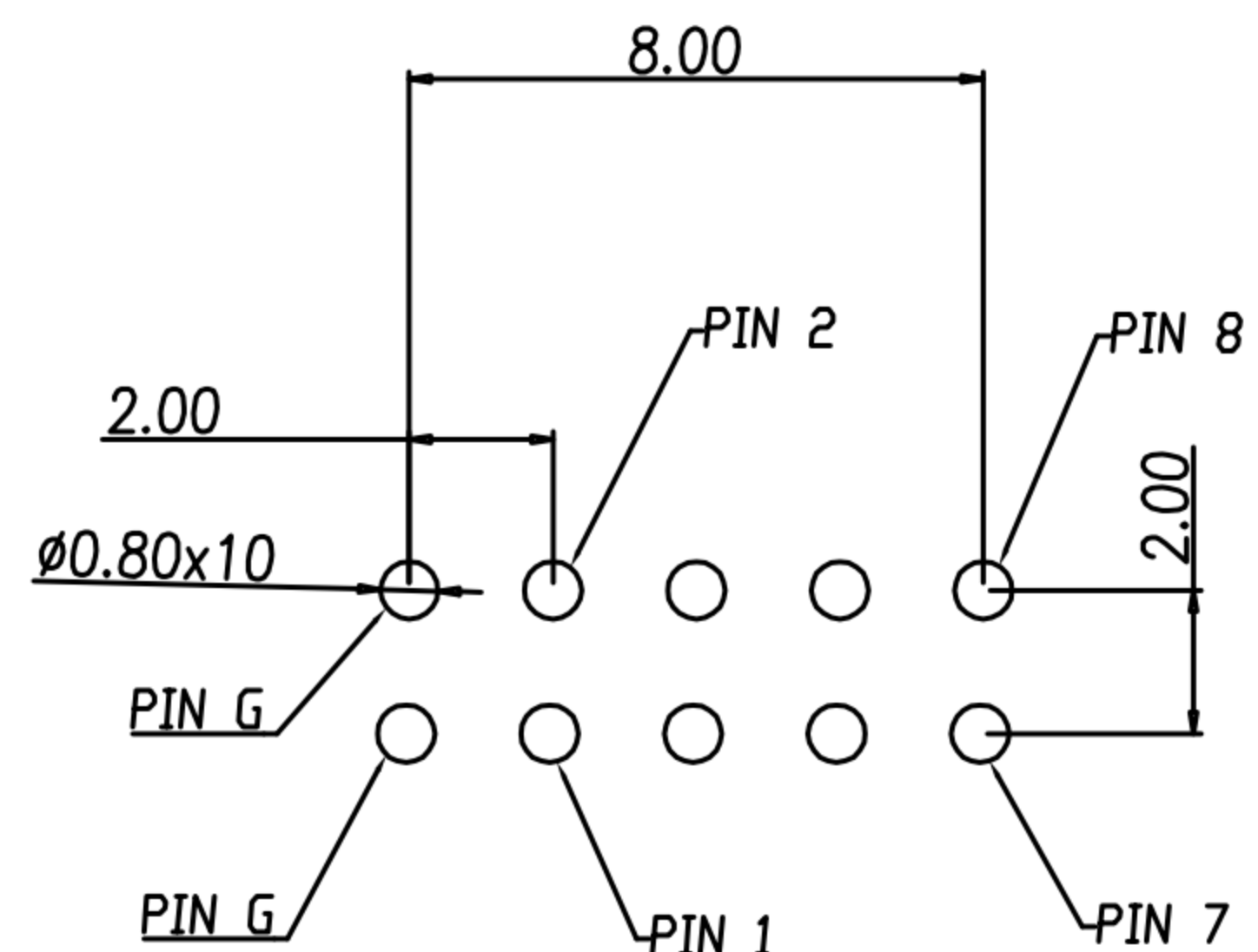
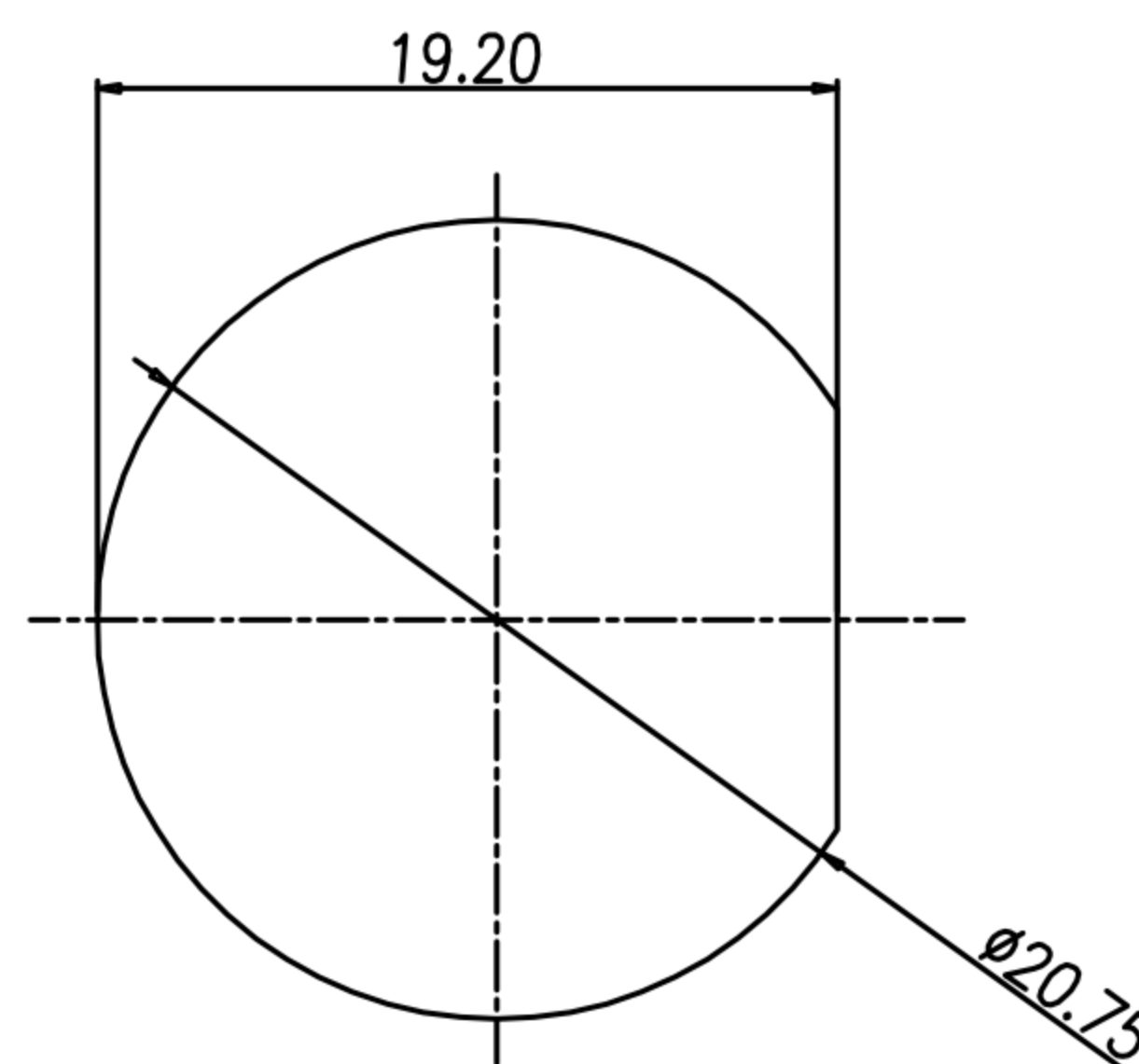
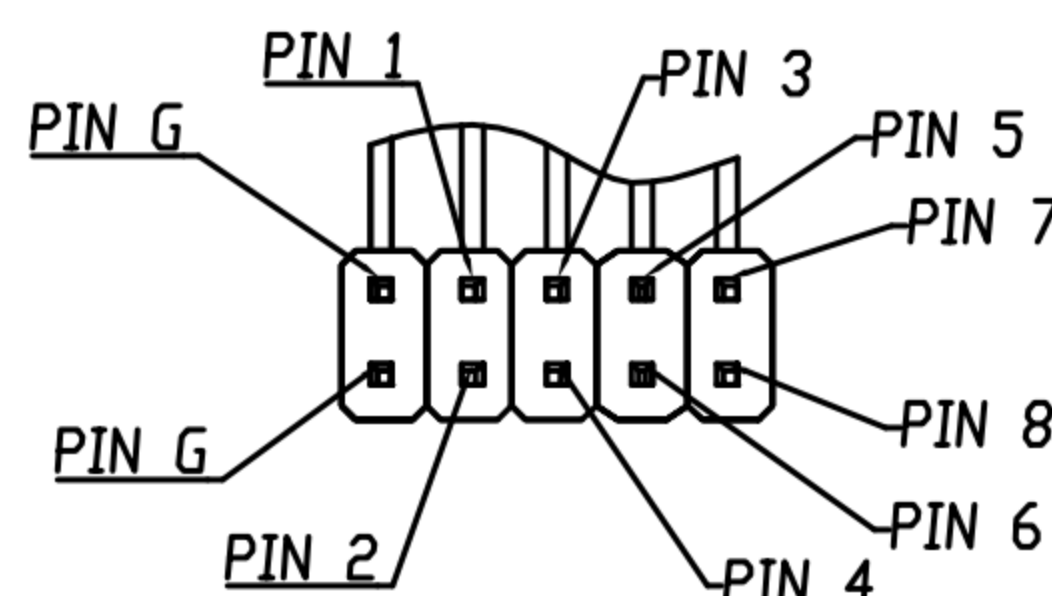
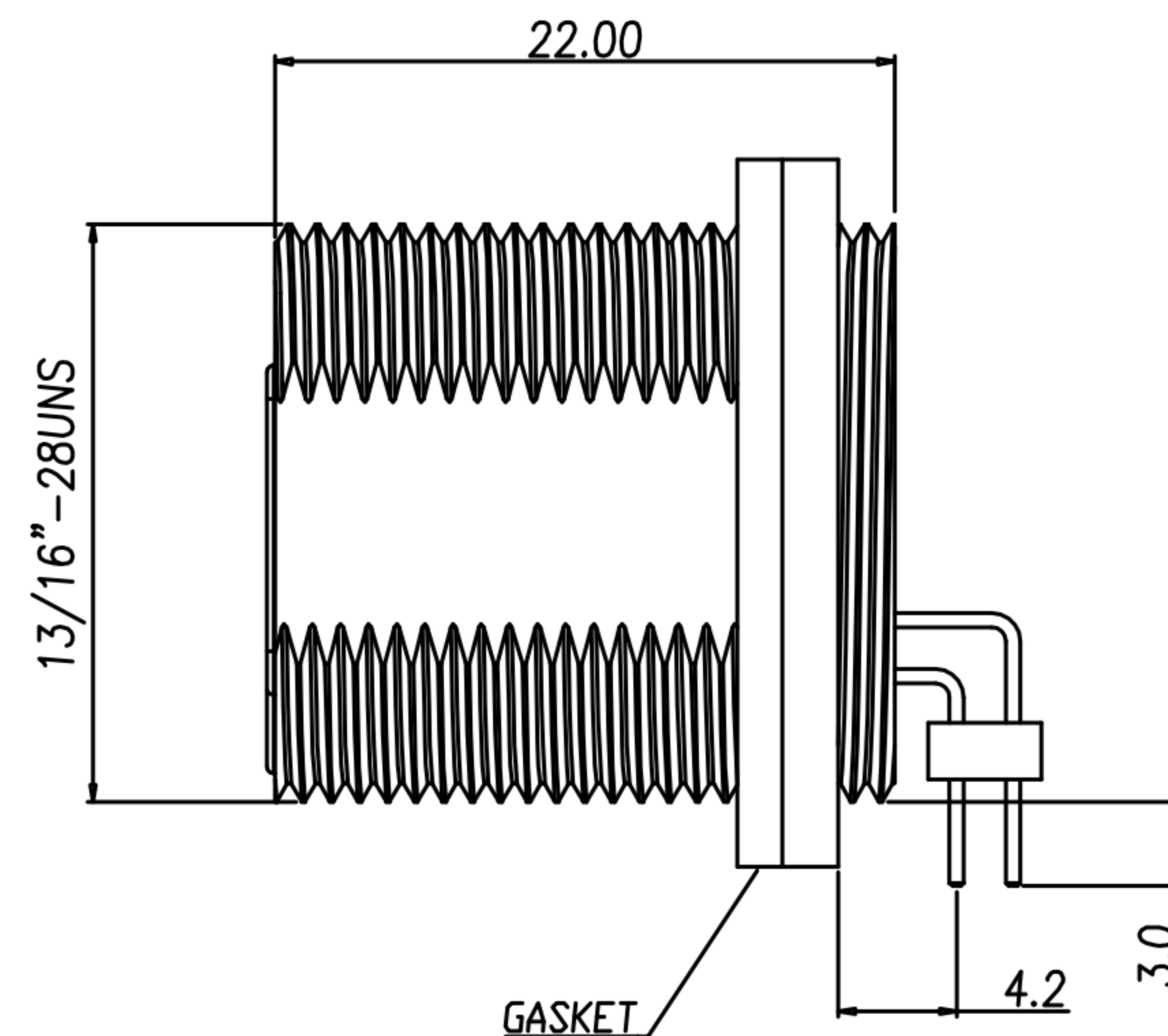
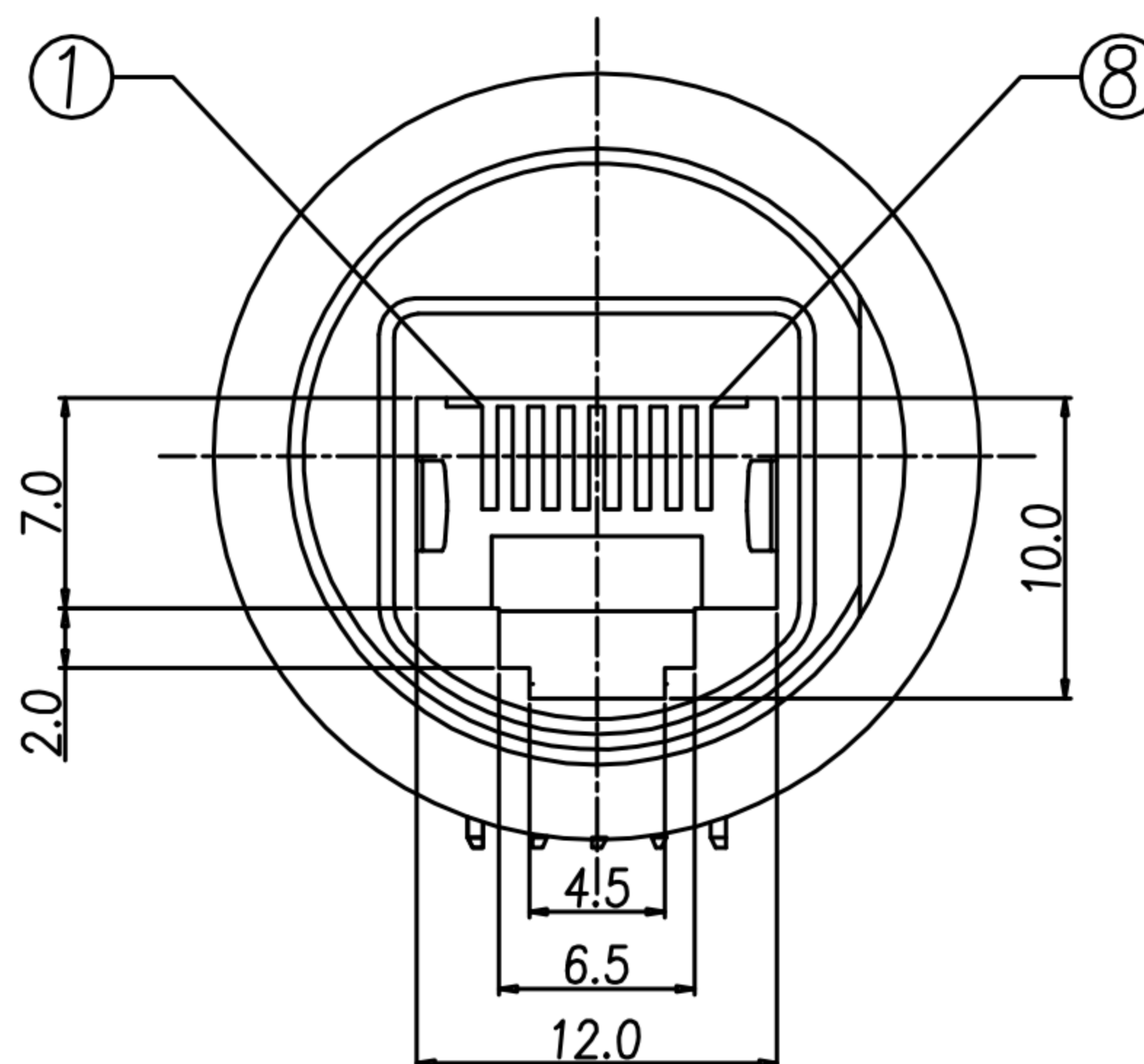


CUSTOMER DRAWING

REV.	DESCRIPTION	APPVL. BY	DATE	ECN NO.
△A	RELEASE	Yeh Chou		
△B	MODIFY MATERIAL & FINISH	Yeh Chou	03/06/19"	
△C	CHANGE PANLE CUT-OUT	Yeh Chou	21/06/19"	

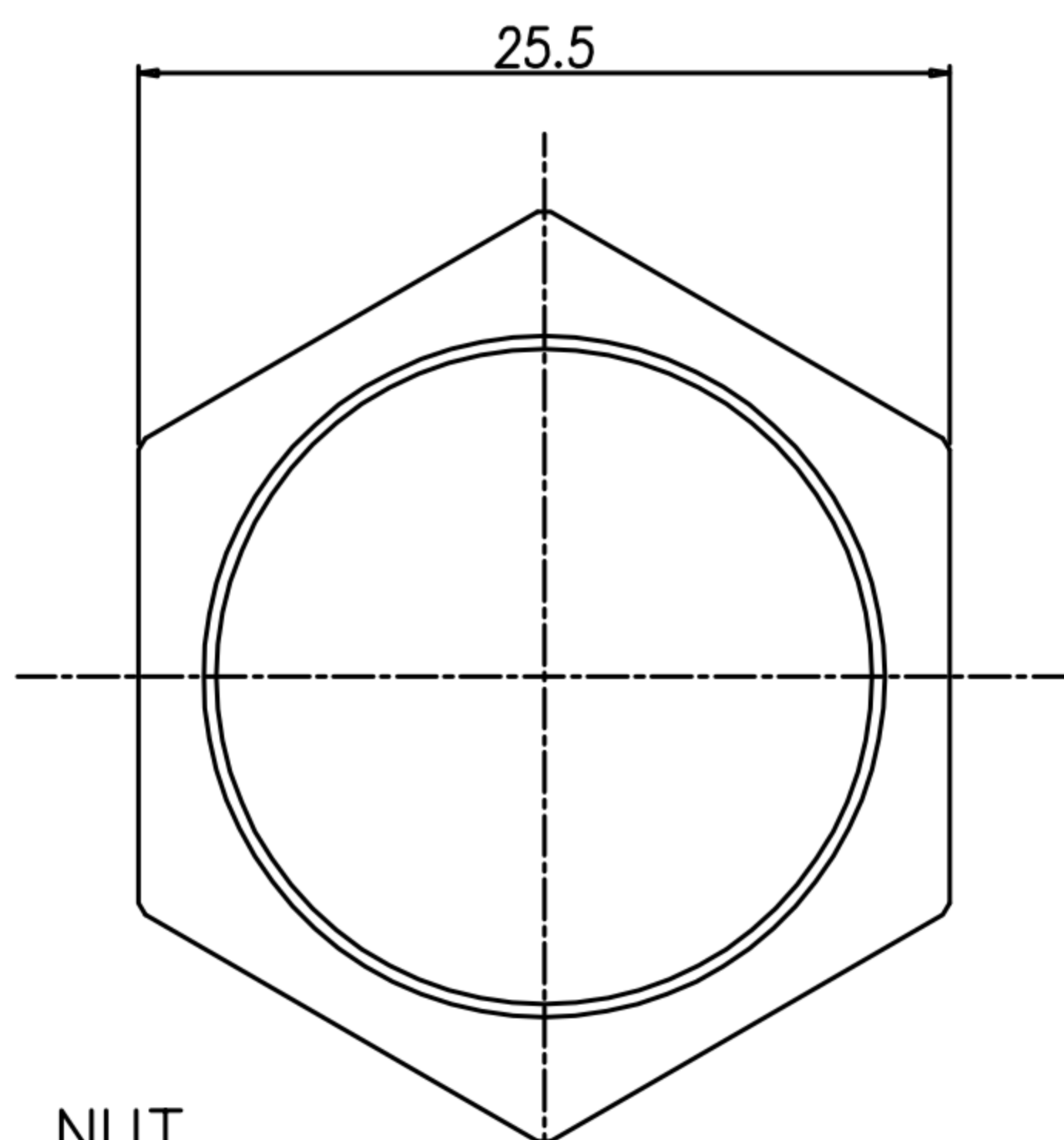
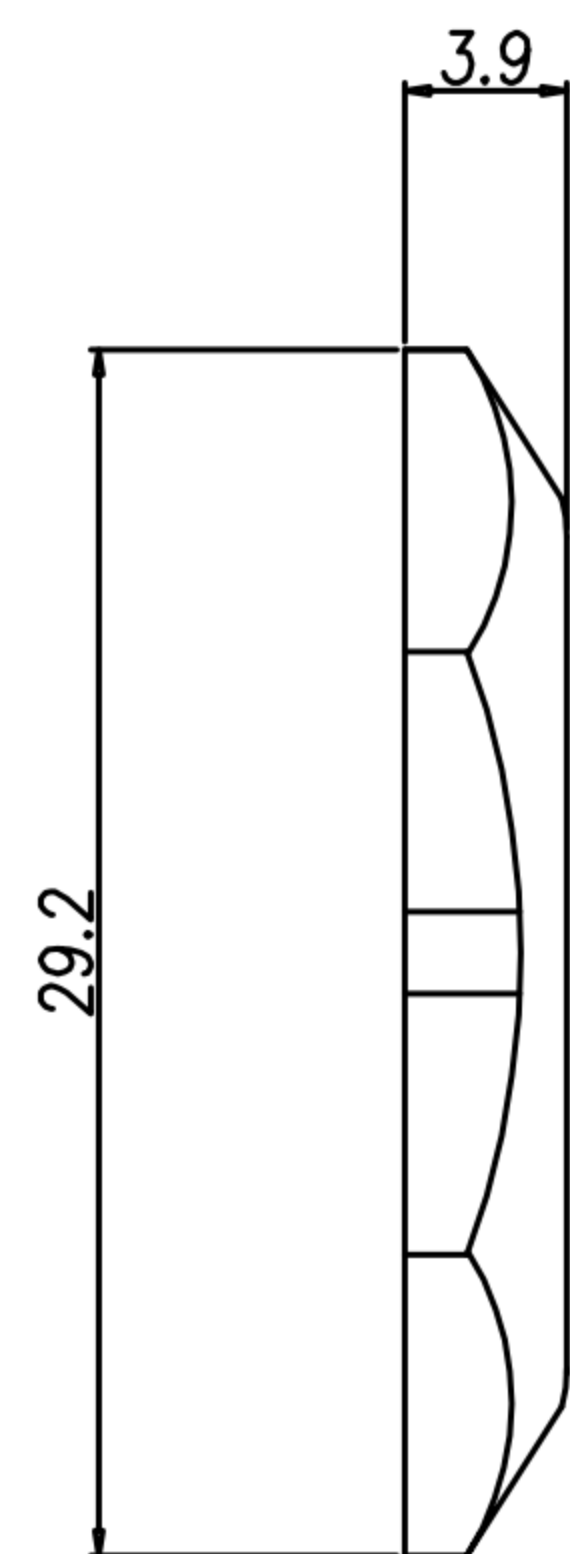


P.C.B LAYOUT (TOP VIEW)  
SCALE 2:1



Panel Cut-Out

- △B 1. MATERIAL :
- 1-1. HOUSING : PBT UL94V-0 ; COLOR : BLACK.
  - 1-2. CONTACT : PHOSPHOR BRONZE
  - 1-3. SHELL : PA66
  - 1-4. GROUND : SUS 301
  - 1-5. GASKET : SILICONE ; COLOR : BLACK.
  - 1-6. NUT : PA66
- △B 2. FINISH :
- 2-1. CONTACT : GOLD FLASH MICRO INCHES MIN.
3. ELECTRICAL SPECIFICATION :
- 3-1. Rated current : 1.5A
  - 3-2. Rated Voltage : 125V
  - 3-3. Water proof : IPX7
4. Environmental :
- 4-1. Operation Temperature : -20℃~85℃



NUT

DRAW	Ku Chou	APPVL	Fido Weng	UNIT	mm	TOLERANCE		TITLE	防水RJ45 8PIN(F)(全塑型) 90度			SHEET
CHECK	Emily Suen			SCALE	1:1	.x ±0.20 .xx ±0.10 .xxx ±0.05 .xxxx ±0.03 ANGULA ±1°		PART NO.	RJ-08F2-13-11	DWG NO.	QC9122	VERSION
								广东科斯达电子科技有限公司 GUANG DONG KE SI DA ELECTRONIC TECHNOLOGY CO., LTD.			C	