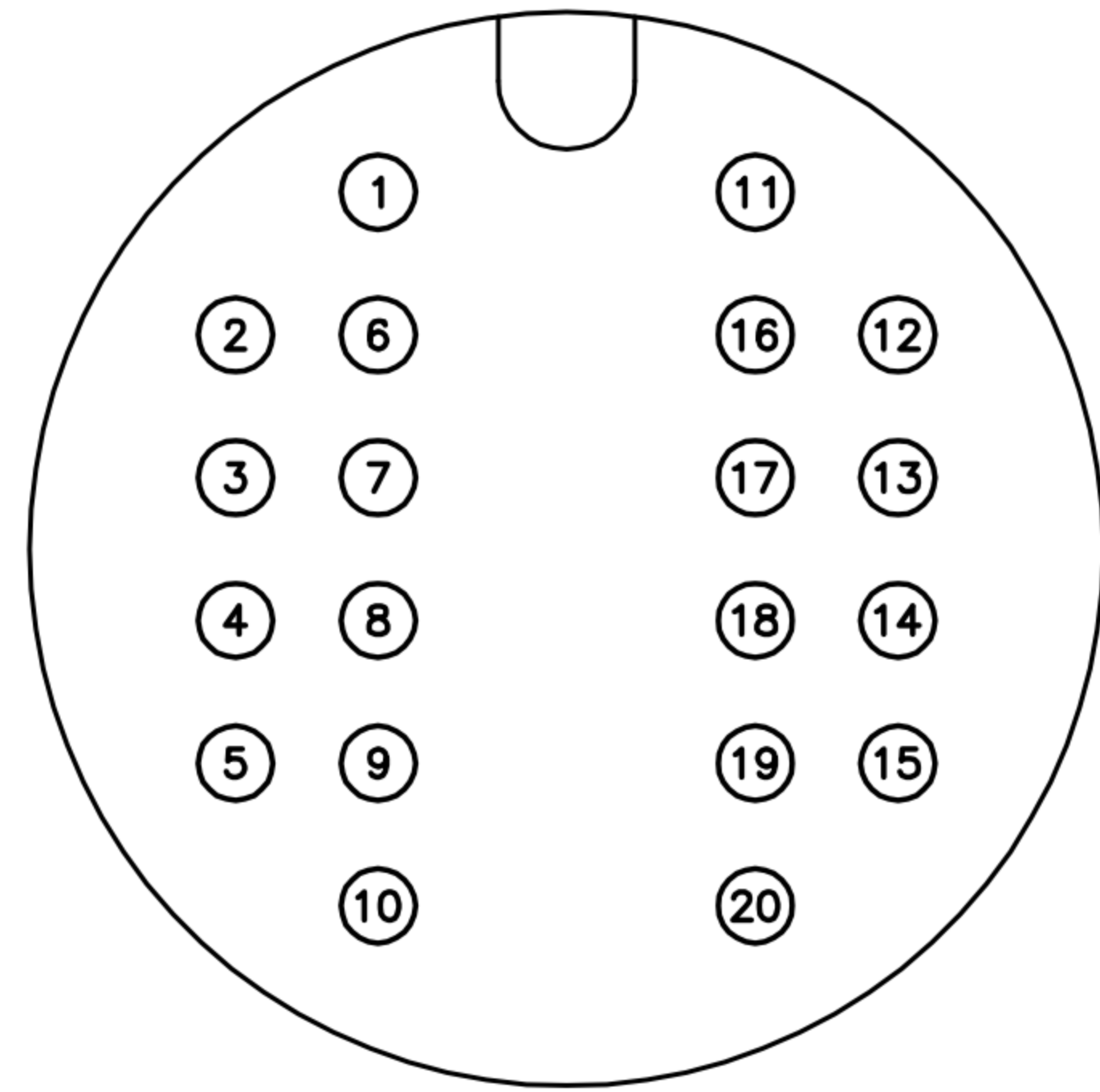


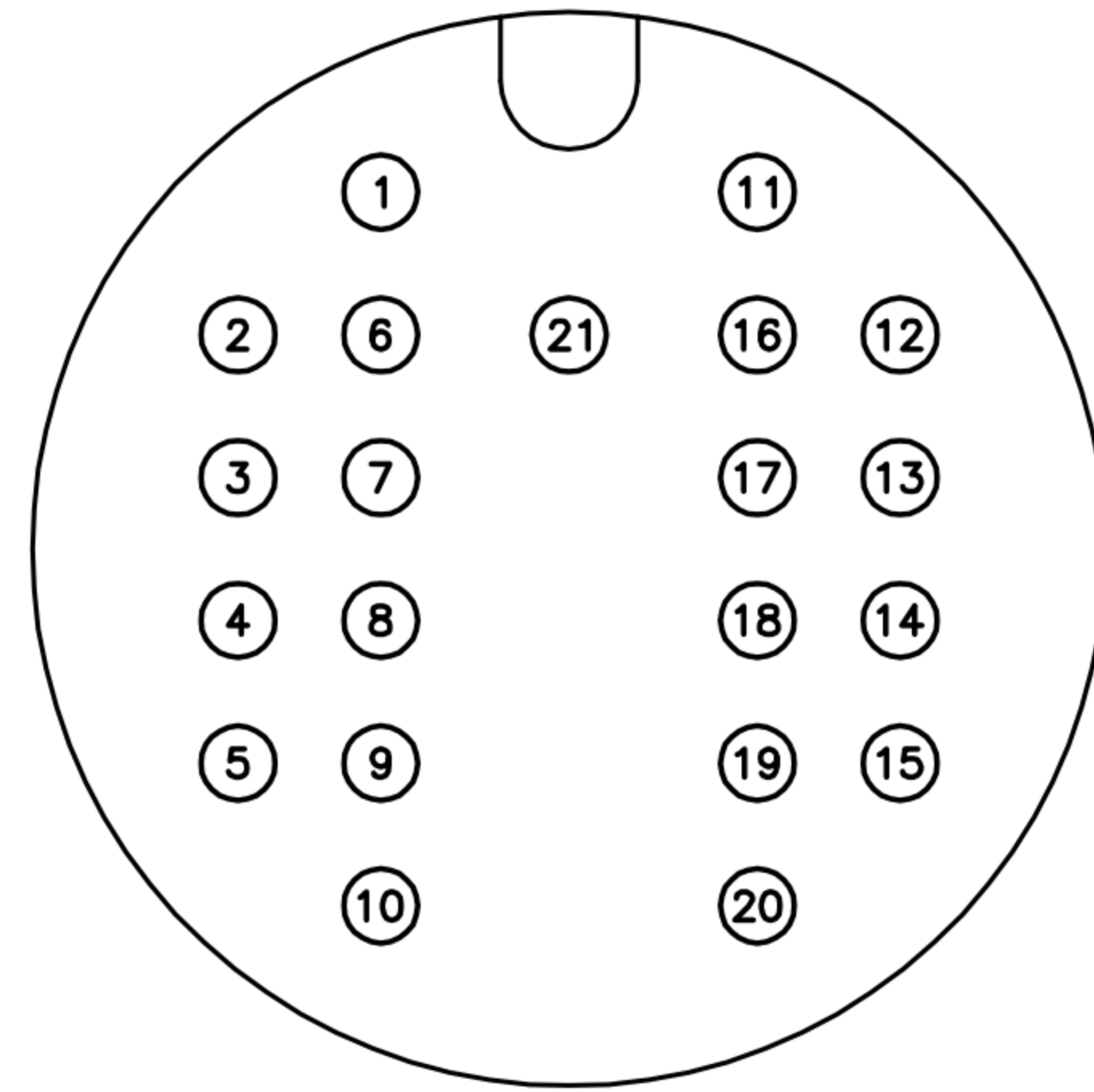
CUSTOMER DRAWING

REV.	DESCRIPTION	APPROVED BY	DATE	ECN NO.
A	RELEASE	Ku Chou	22/04/20*	
B				
C				

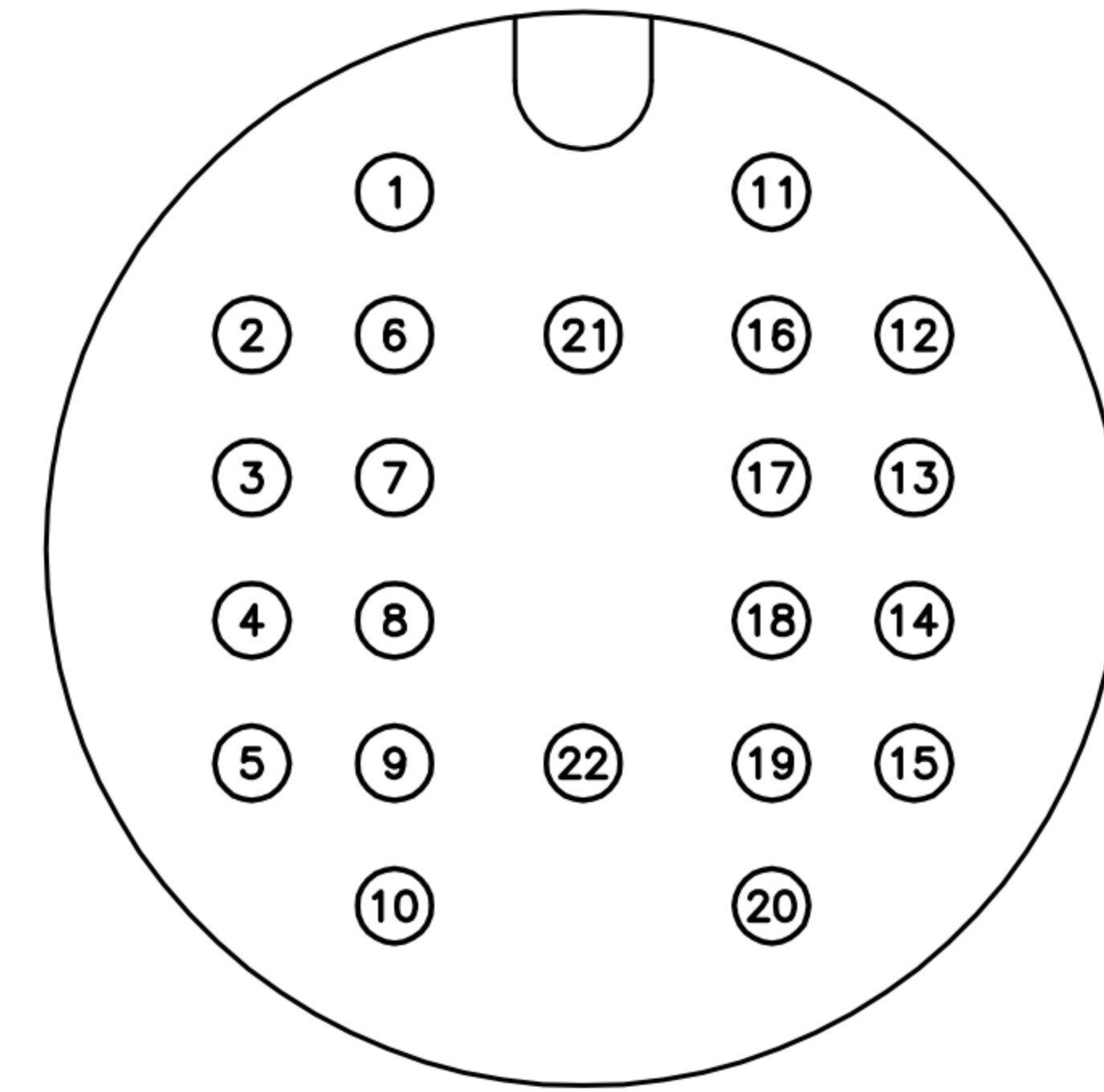
TABLE A



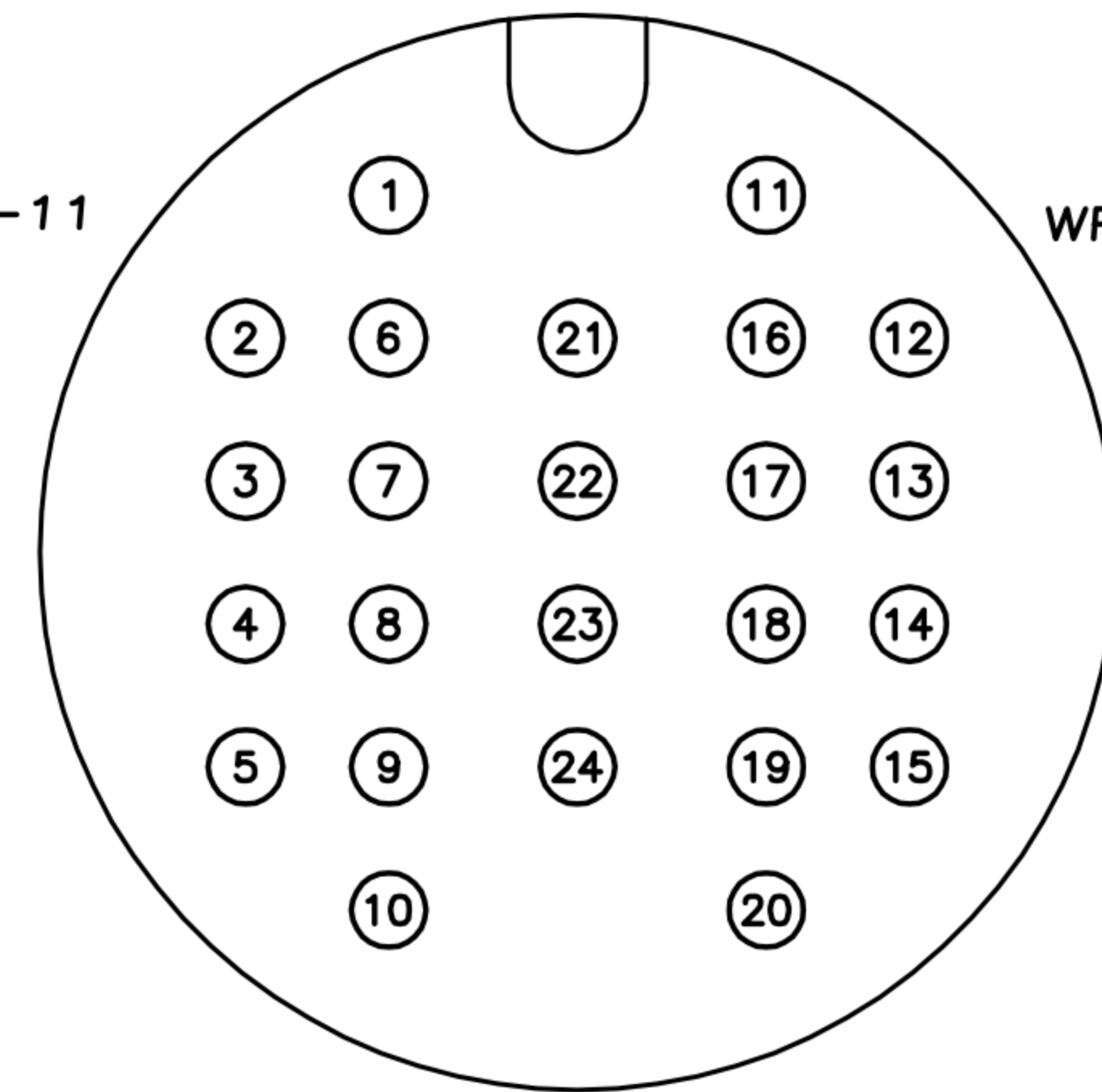
20P  
WP-20M2-02-11



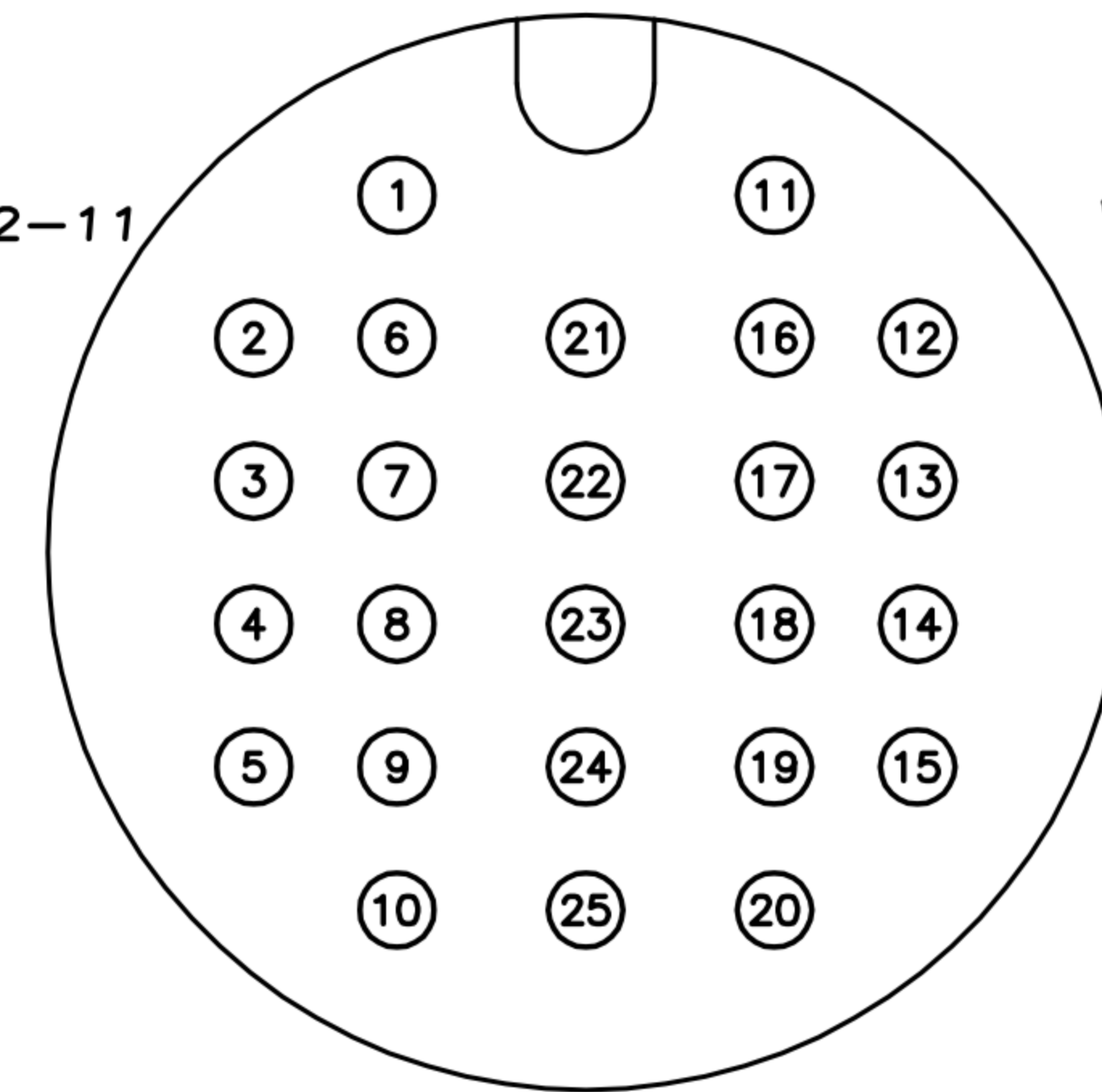
21P  
WP-21M2-02-11



22P  
WP-22M2-02-11



24P  
WP-24M2-02-11



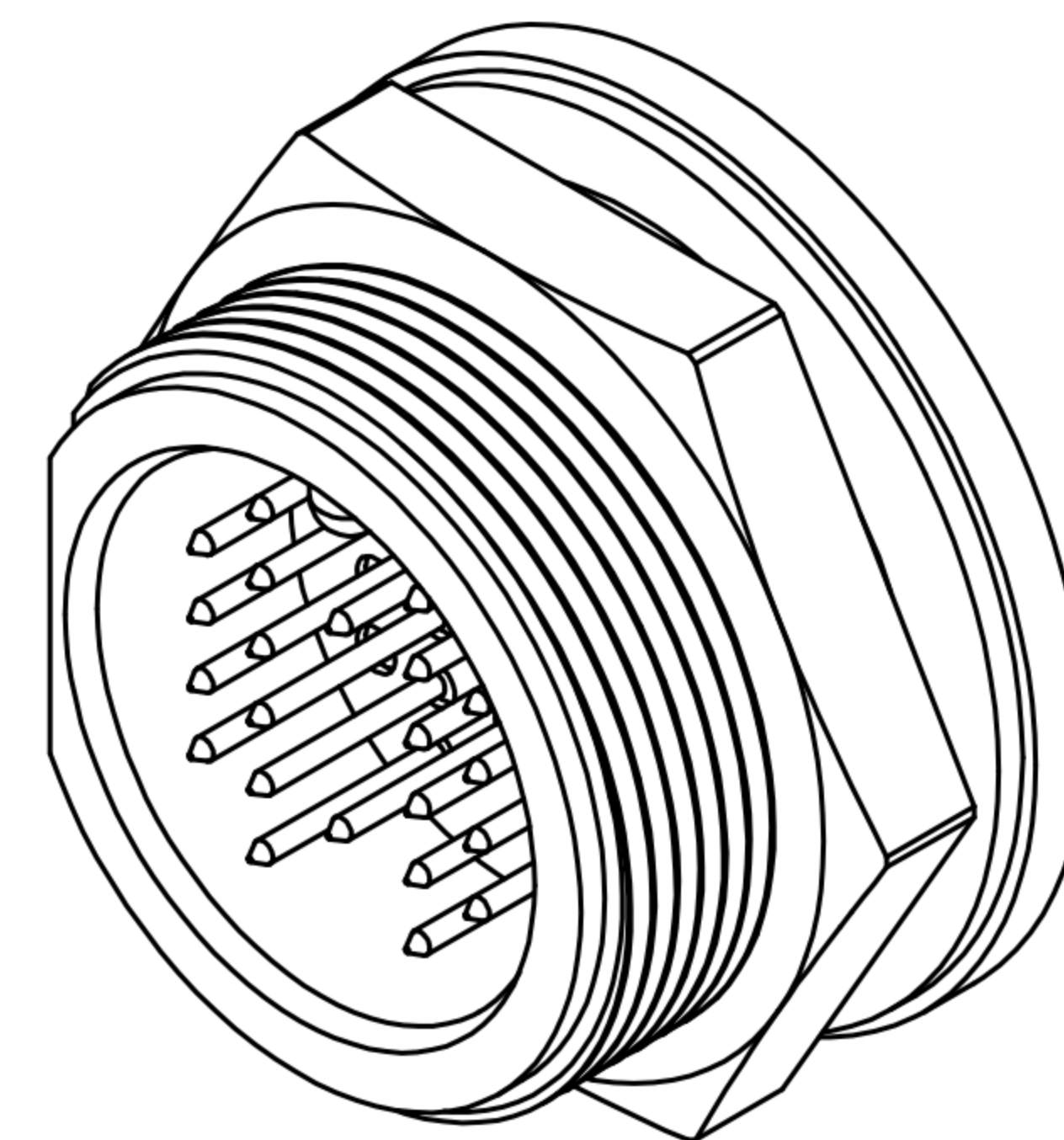
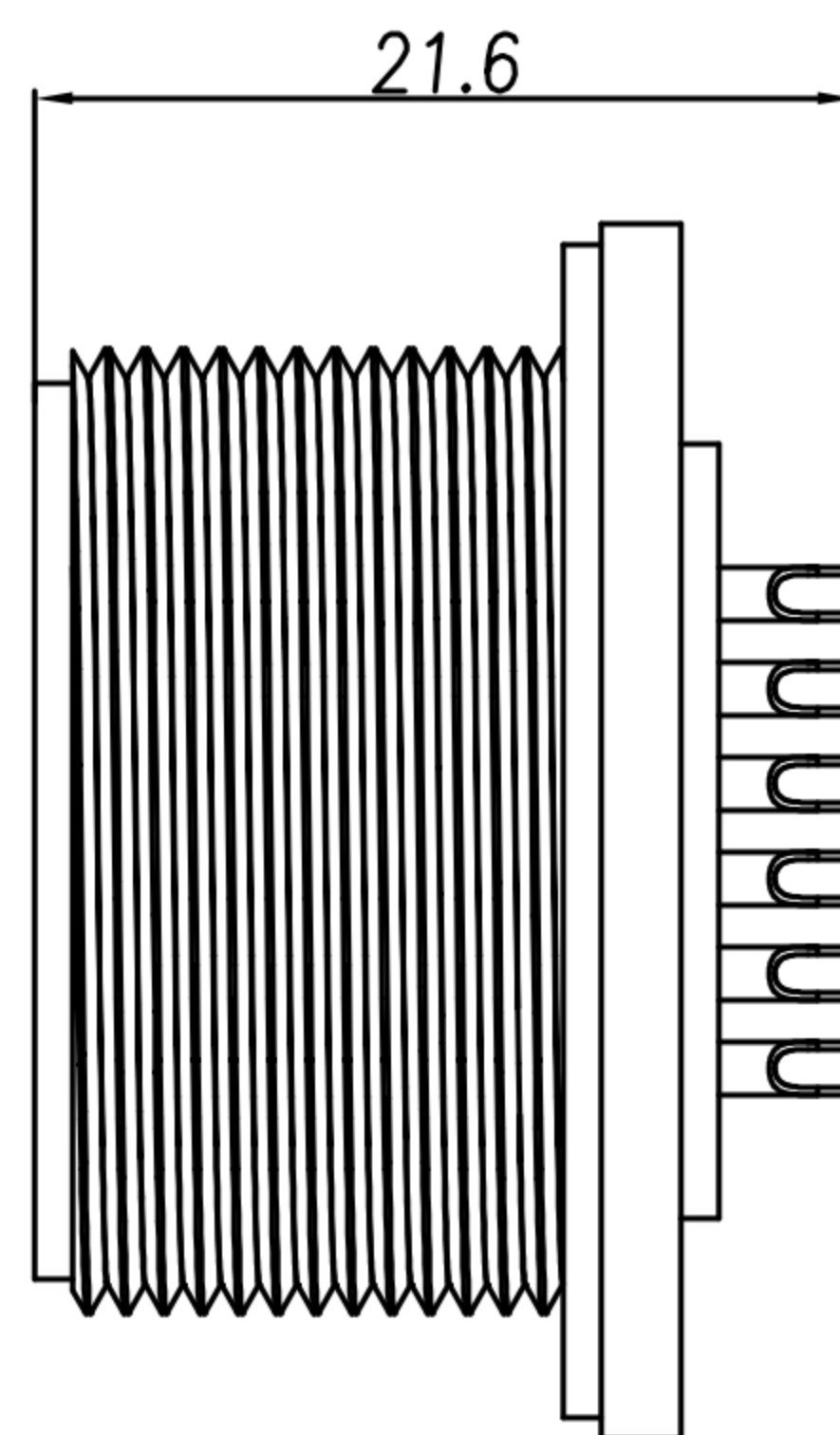
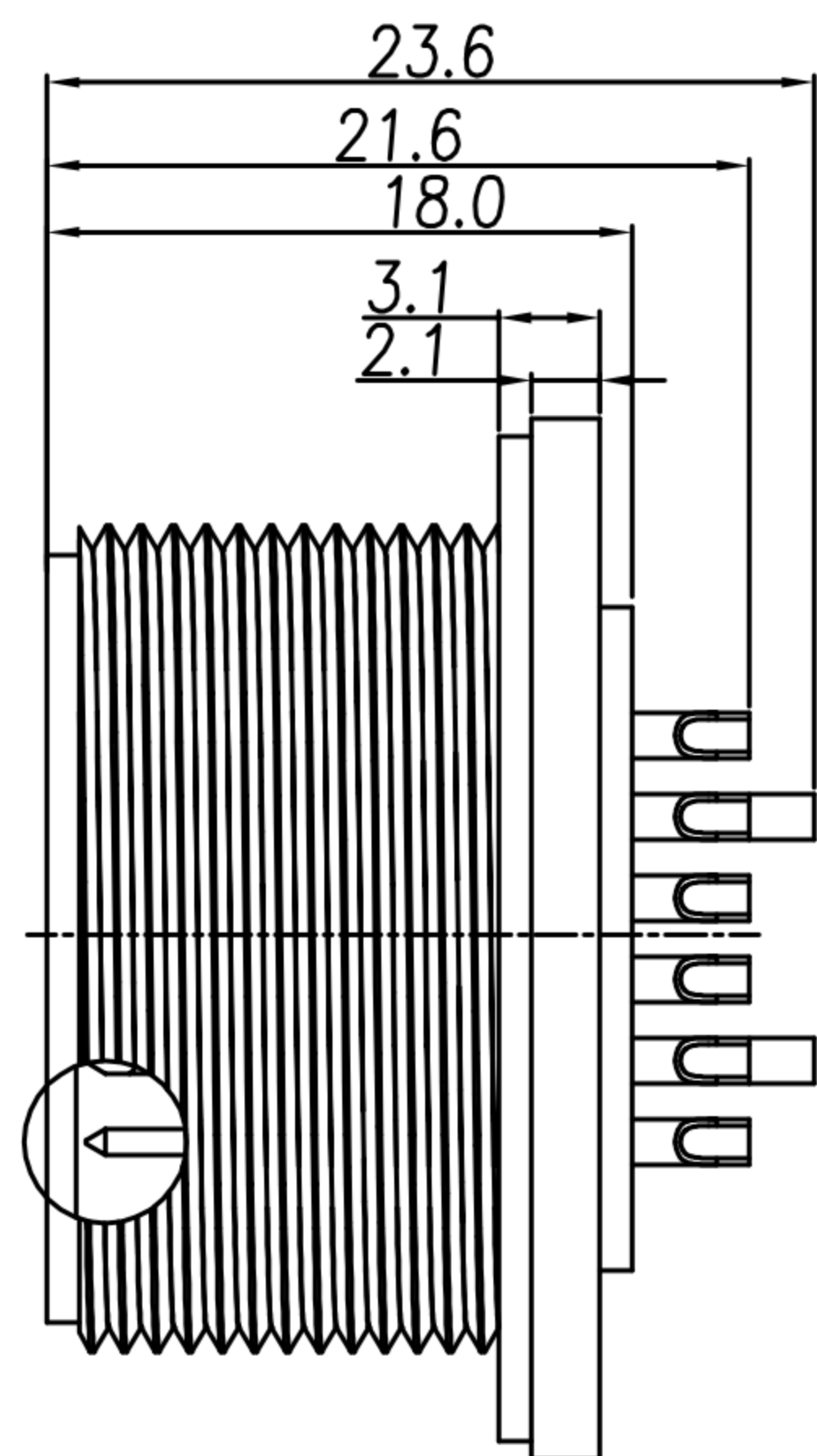
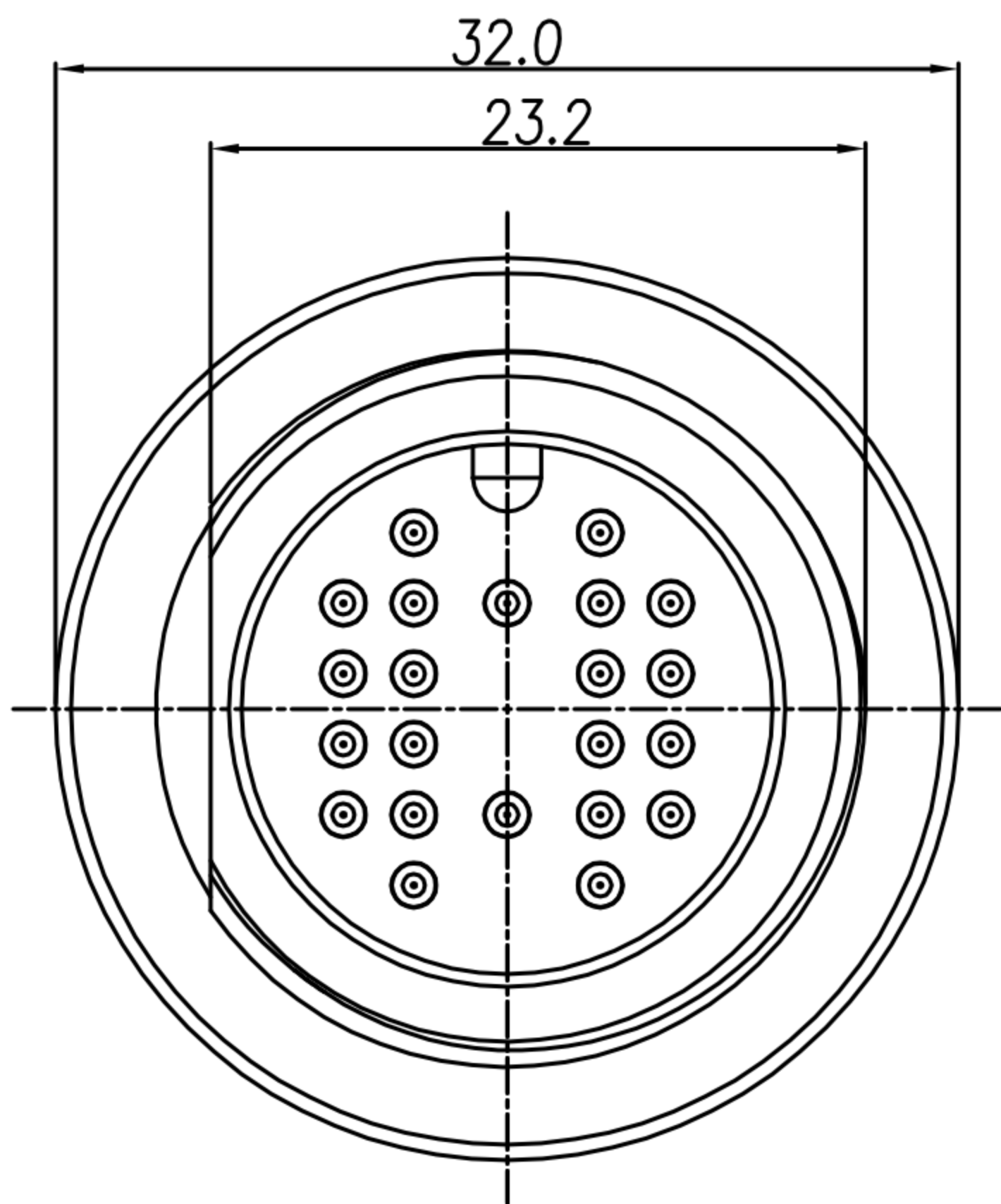
25P  
WP-25M2-02-11

PIN CONFIGURATION

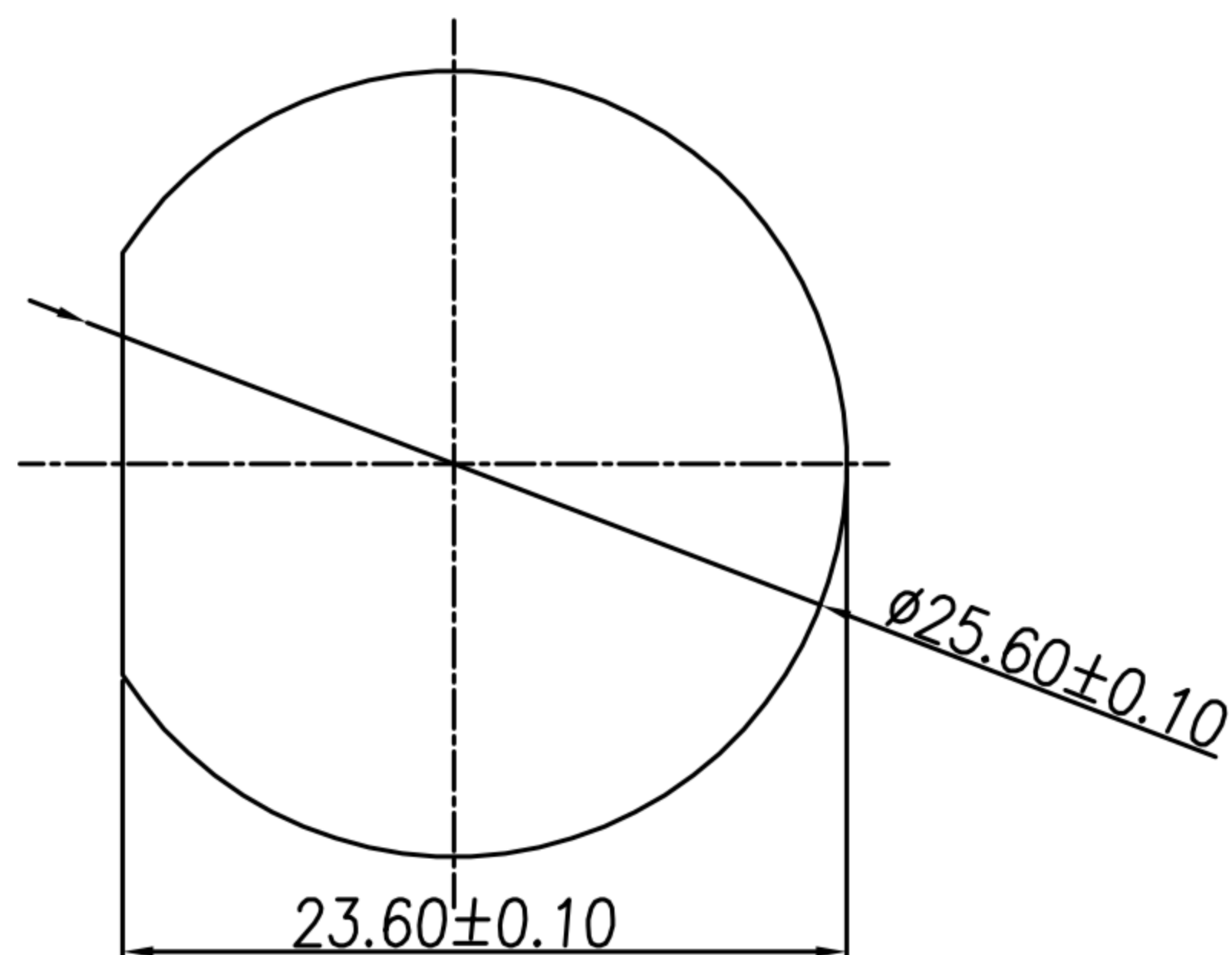
DRAWN	Emily Suen	APP'D	KU Chou	UNIT	mm	TOLERANCE		TITLE	WP D Size(M Conn. M PIN) Front Fastened(Screw Thread)-Circular			SHEET
CHK'D	KU Chou			SCALE	1:1	.x ±0.20 .xx ±0.10 .xxx ±0.05 .xxxx ±0.03 ANGULA ±1°			PART NO.	SEE TABLE A	DWG NO.	QC9697

CUSTOMER DRAWING

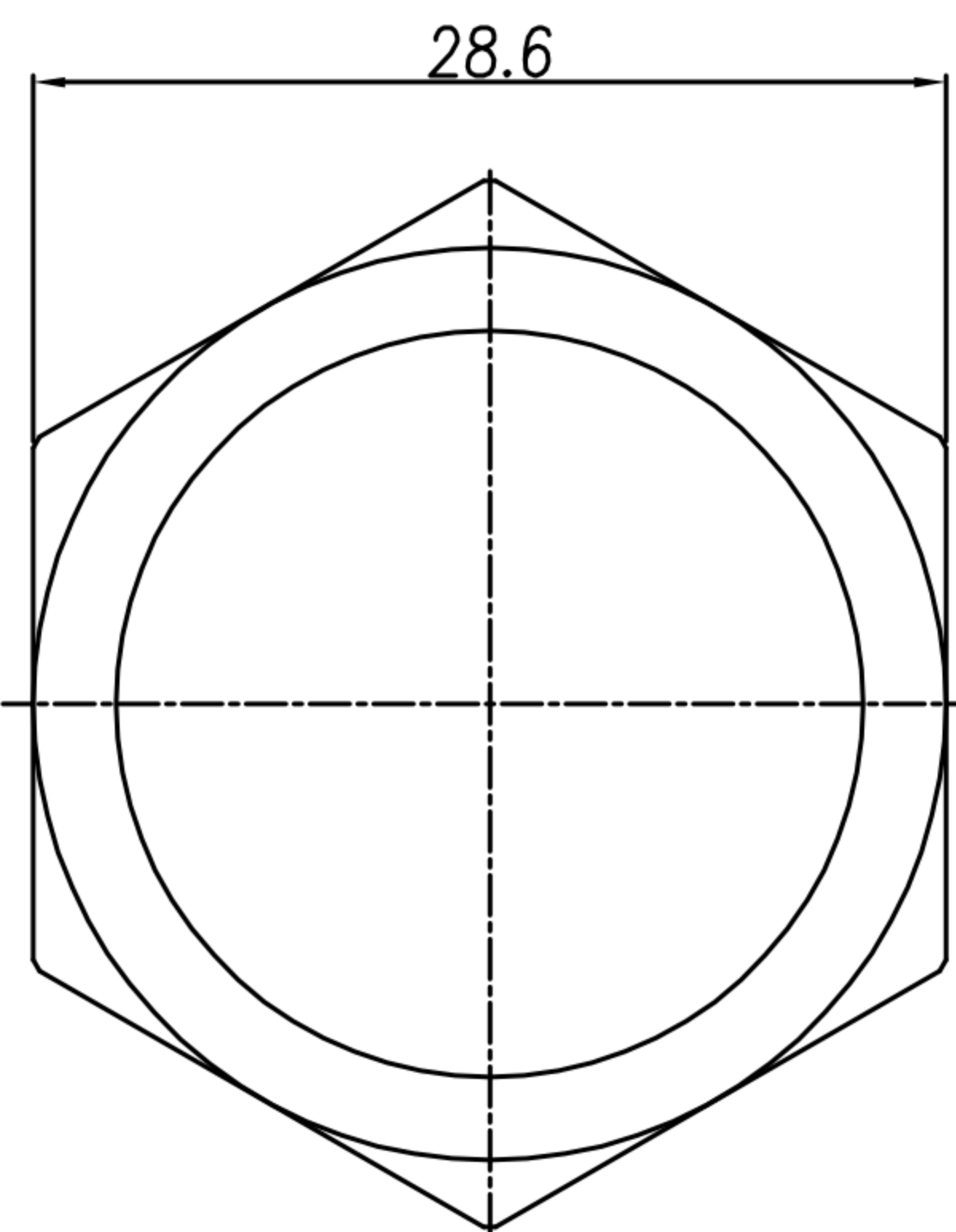
REV.	DESCRIPTION	APPROVED BY	DATE	ECN NO.
A	RELEASE	Ku Chou	22/04/20*	
B				
C				



20 PIN ONLY



RECOMMEND PANEL HOLE



Hex Nut



1. MATERIAL :
  - 1-1. HOUSING : PA66
  - 1-2. CONTACT : BRASS
  - 1-3. GASKET : SILICONE
  - 1-4. HEX NUT : PA66
2. FINISH :
  - 2-1. CONTACT : GOLD FLASH PLATED
3. ELECTRICAL SPECIFICATION :
  - 3-1. Rated current : 2A
  - 3-2. Rated Voltage : 300V
4. Environmental :
  - 4-1. Operation Temperature : -40°C~105°C

DRAWN	Emily Suen	APP'D	KU Chou	UNIT	mm	TOLERANCE		TITLE	WP D Size(M Conn. M PIN) Front Fastened(Screw Thread)-Circular			SHEET
CHK'D	KU Chou			SCALE	1:1	.x ±0.20 .xx ±0.10 .xxx ±0.05 .xxxx ±0.03 ANGULA ±1°			PART NO.	SEE TABLE A	DWG NO.	QC9697