

# CUSTOMER DRAWING

REV.	DESCRIPTION	APPVL. BY	DATE	ECN NO.
A	RELEASE	Fido Weng	08/03/09'	
B	RELEASE	Fido Weng	26/01/10'	
C				

### 步驟一:

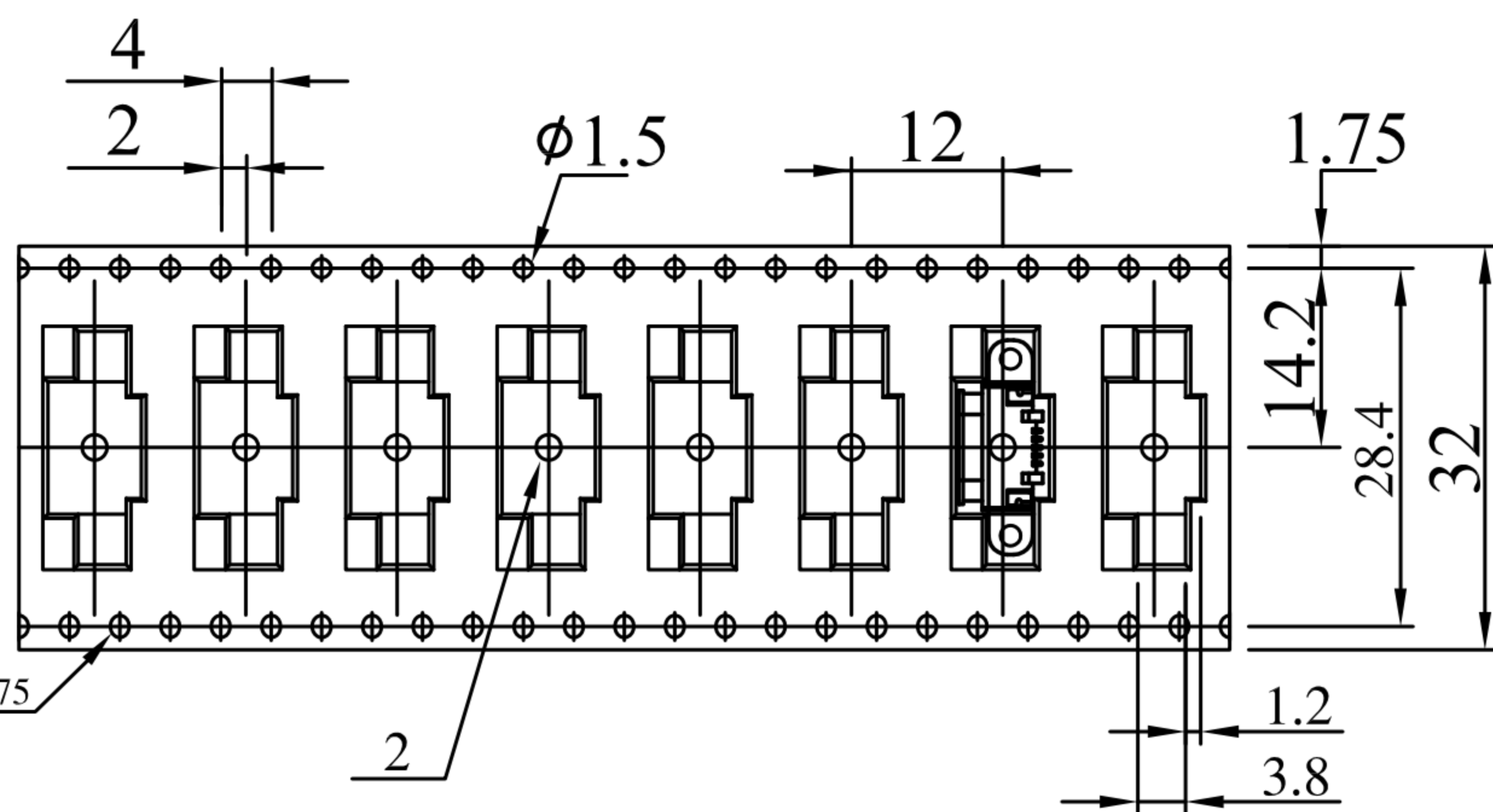
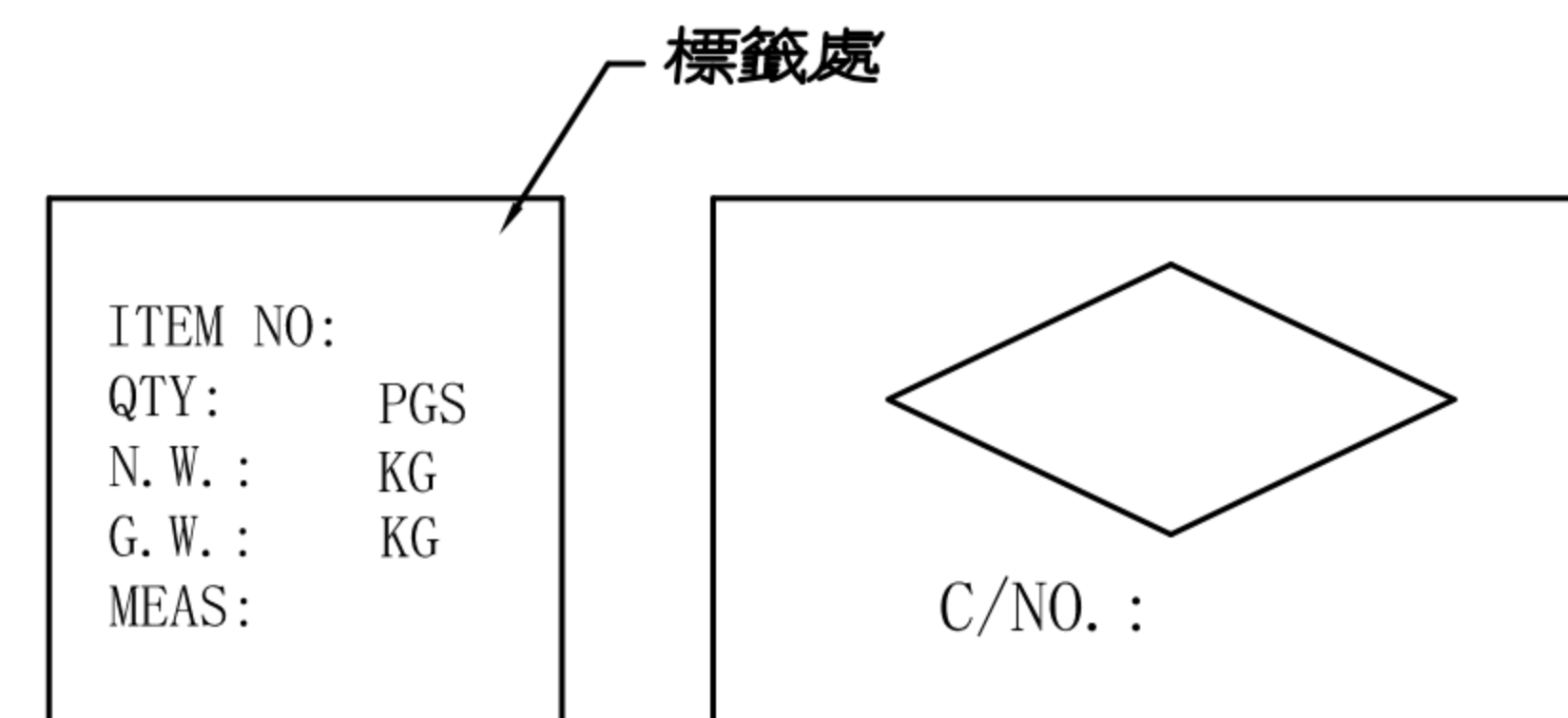
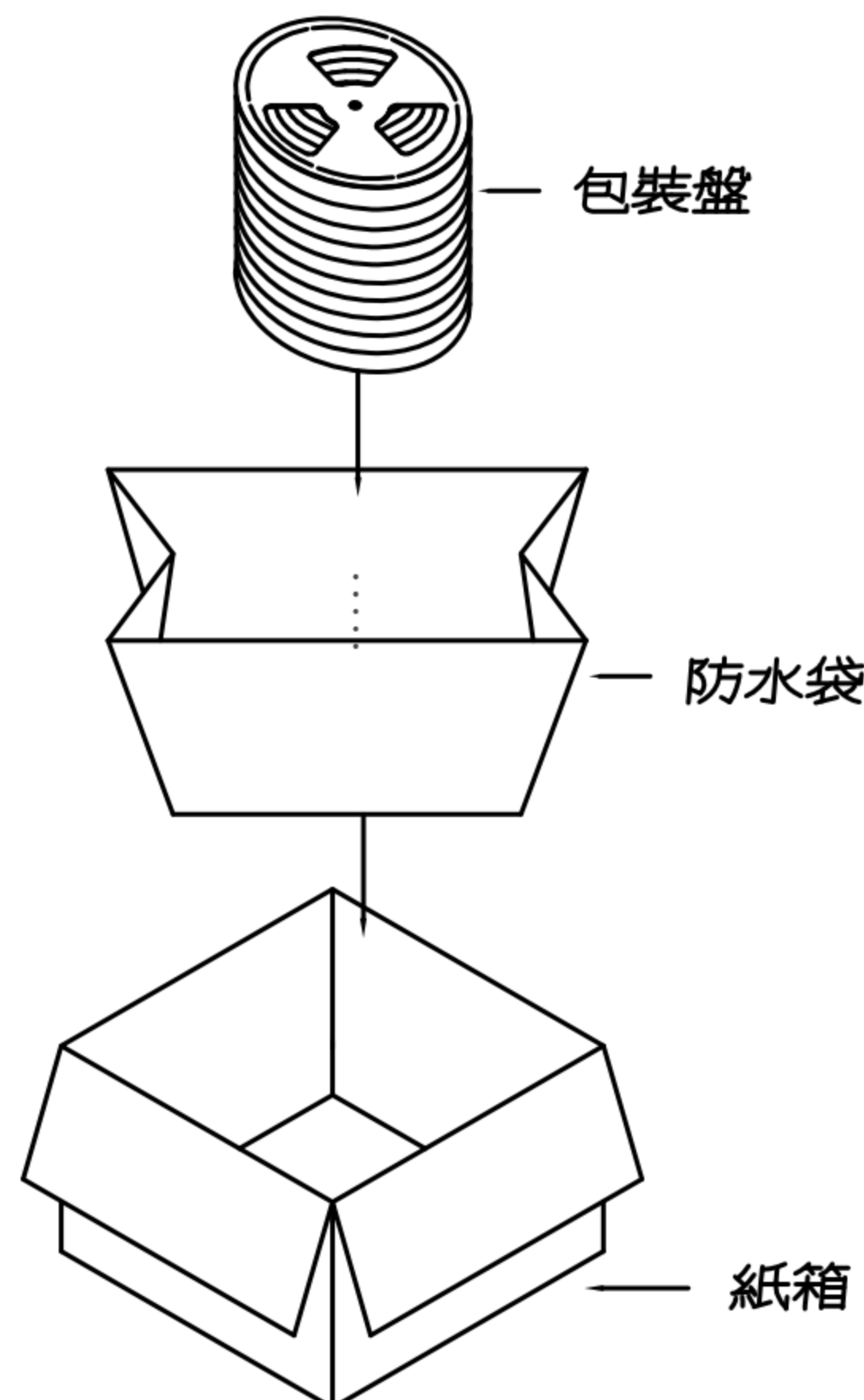
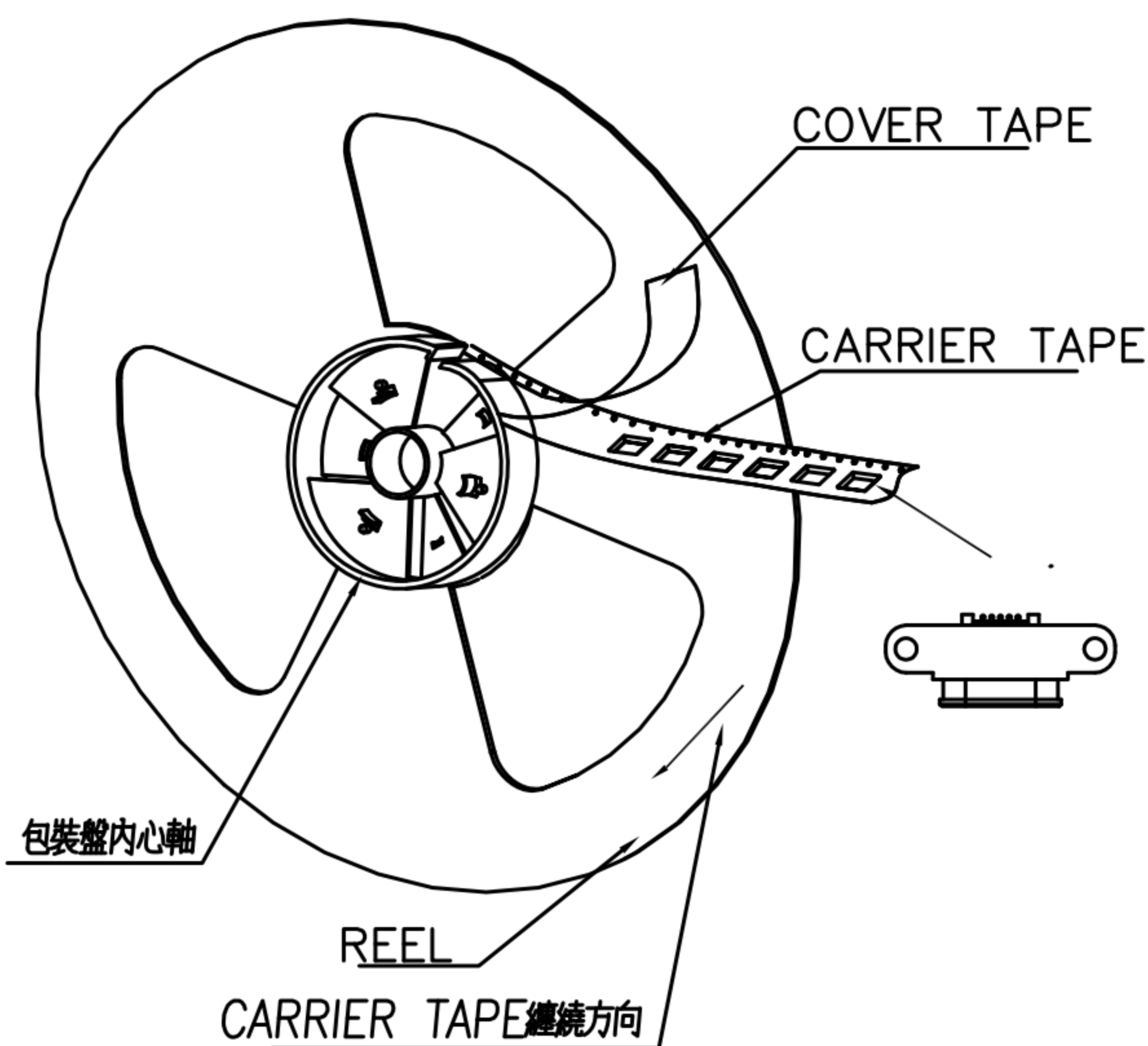
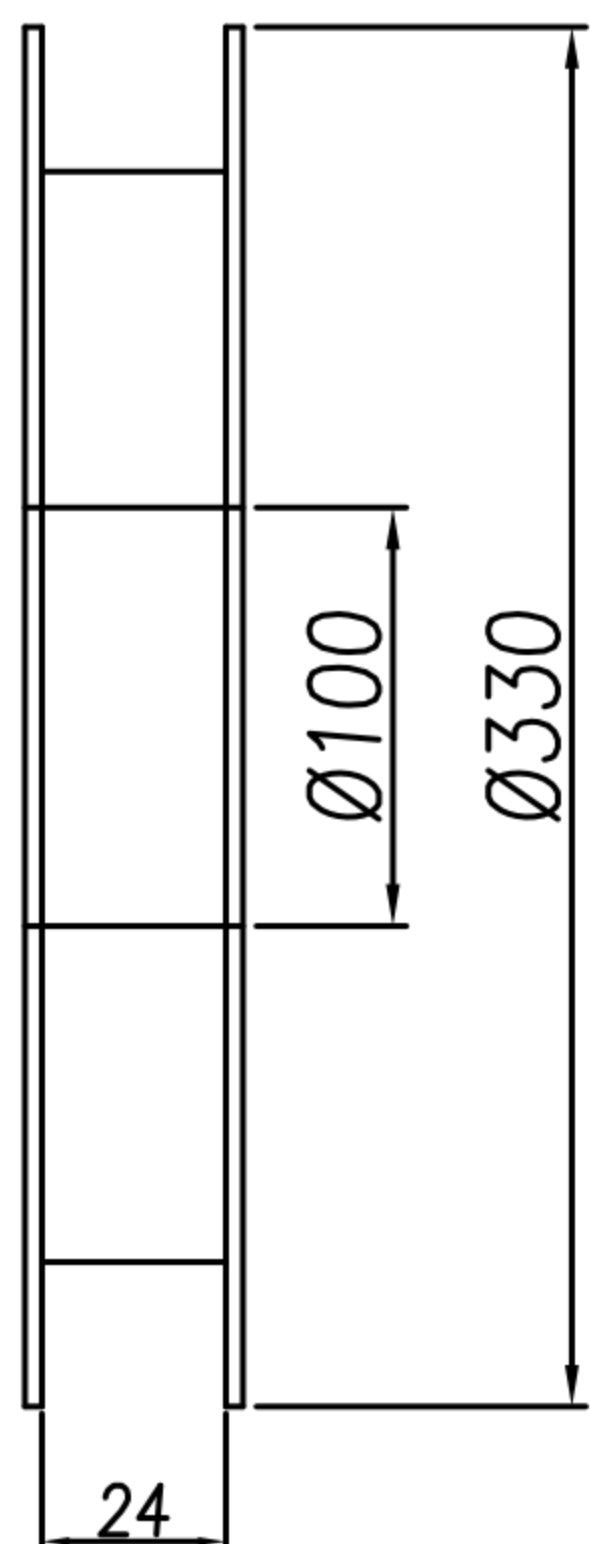
1. 將成品一一放入包裝盤內, 依同一方向置入.
2. 包裝方式, 如圖所示.
3. 一個包裝盤 1100pcs.

### 步驟二:

1. 一個紙箱可以裝 10 個包裝盤.
2. 每盤 1100pcs, 每箱 11000pcs.
3. 將包裝盤放入防水袋中, 包裝完後再封箱.

### 步驟三:

1. 用膠帶將紙箱封實.
2. 將標籤貼於紙箱上.



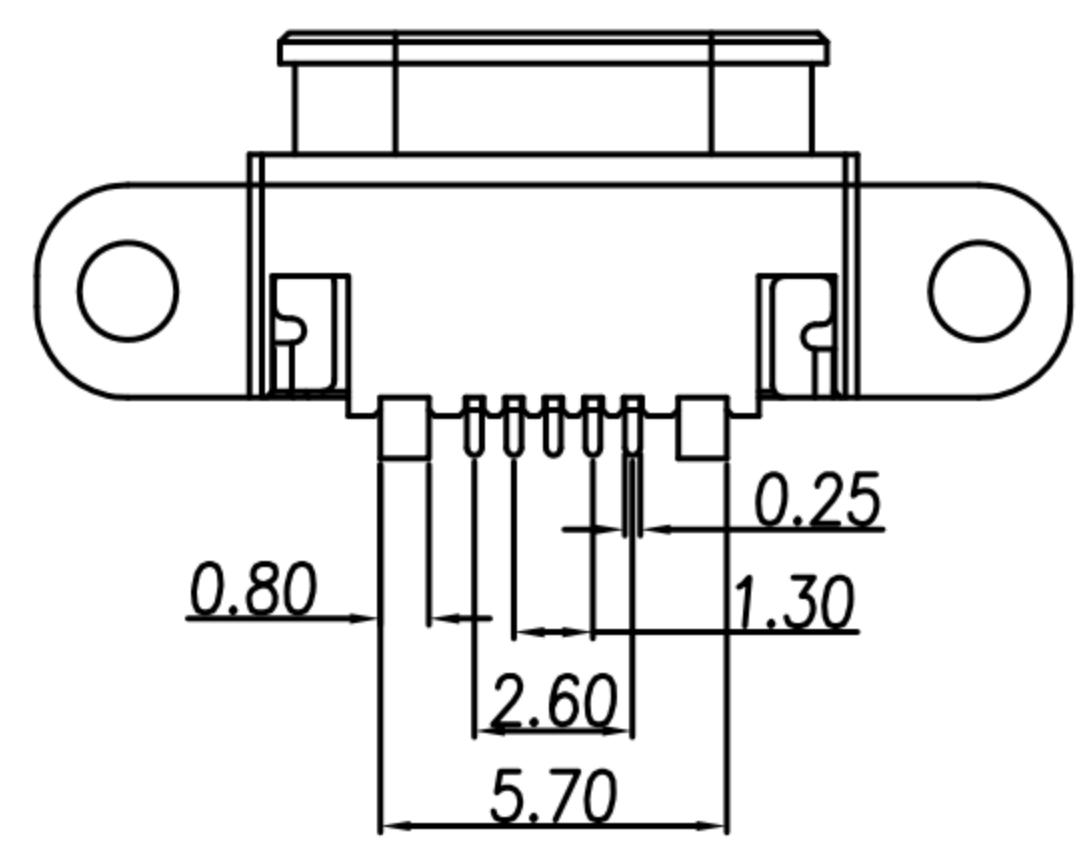
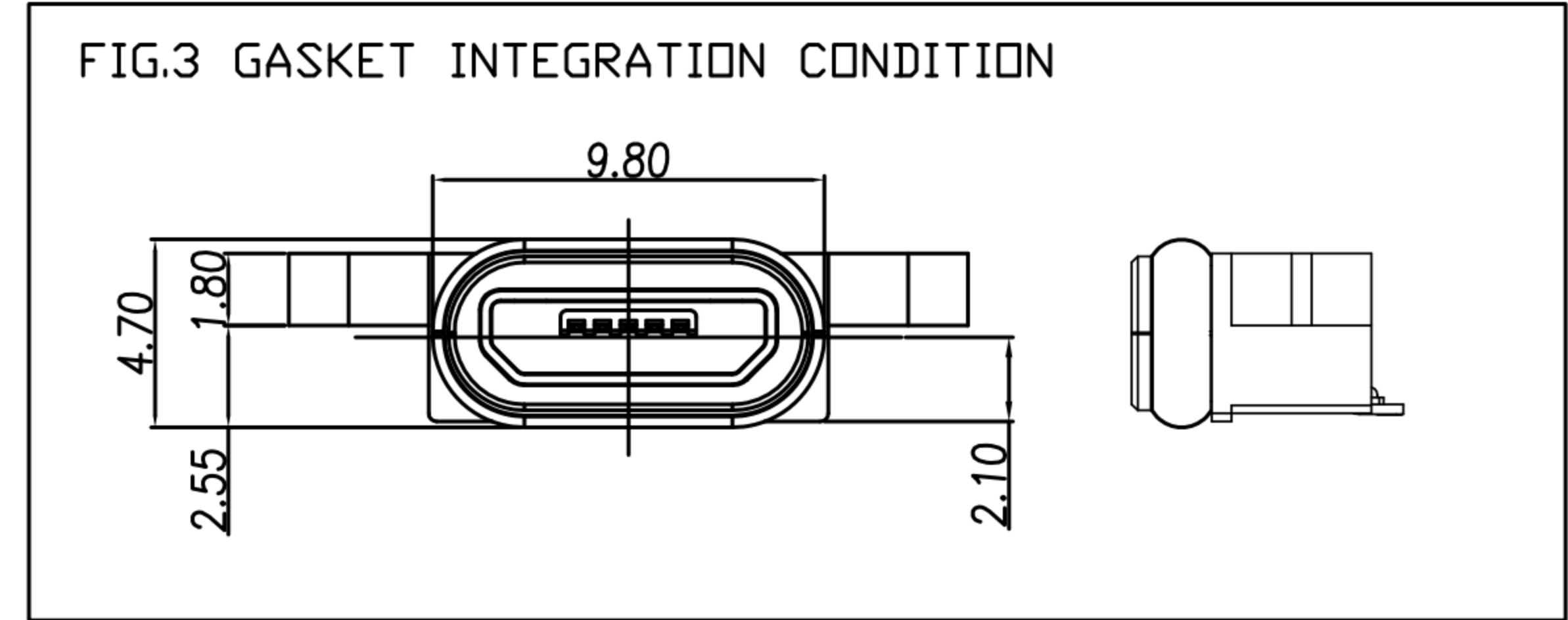
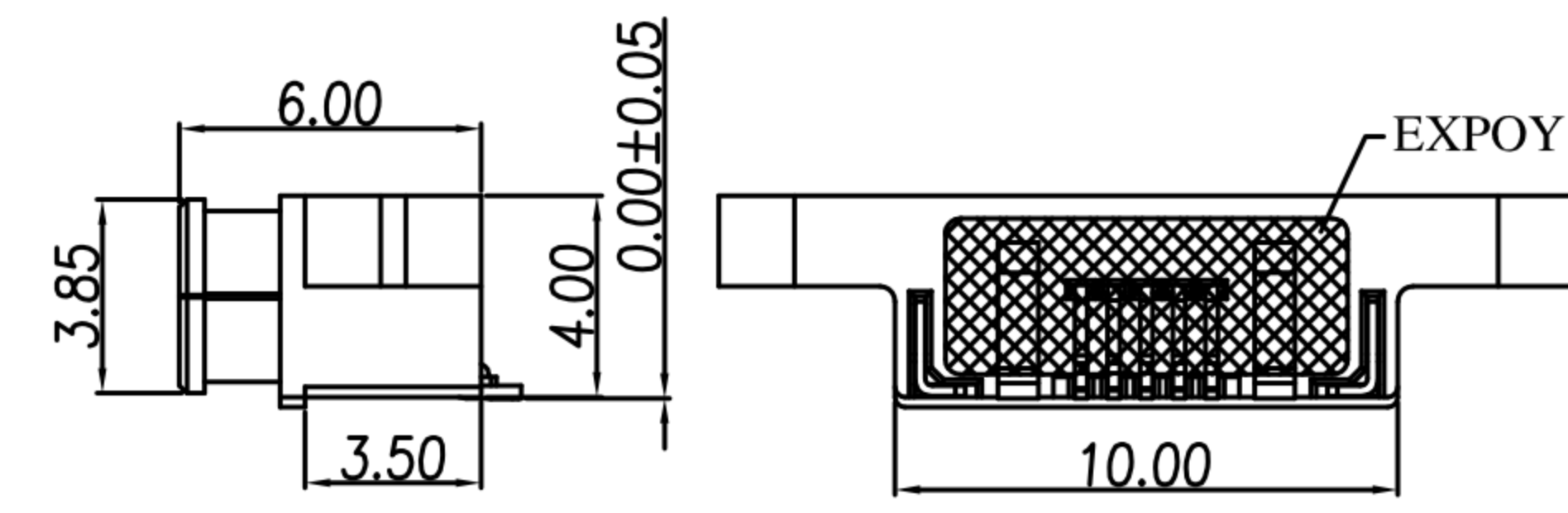
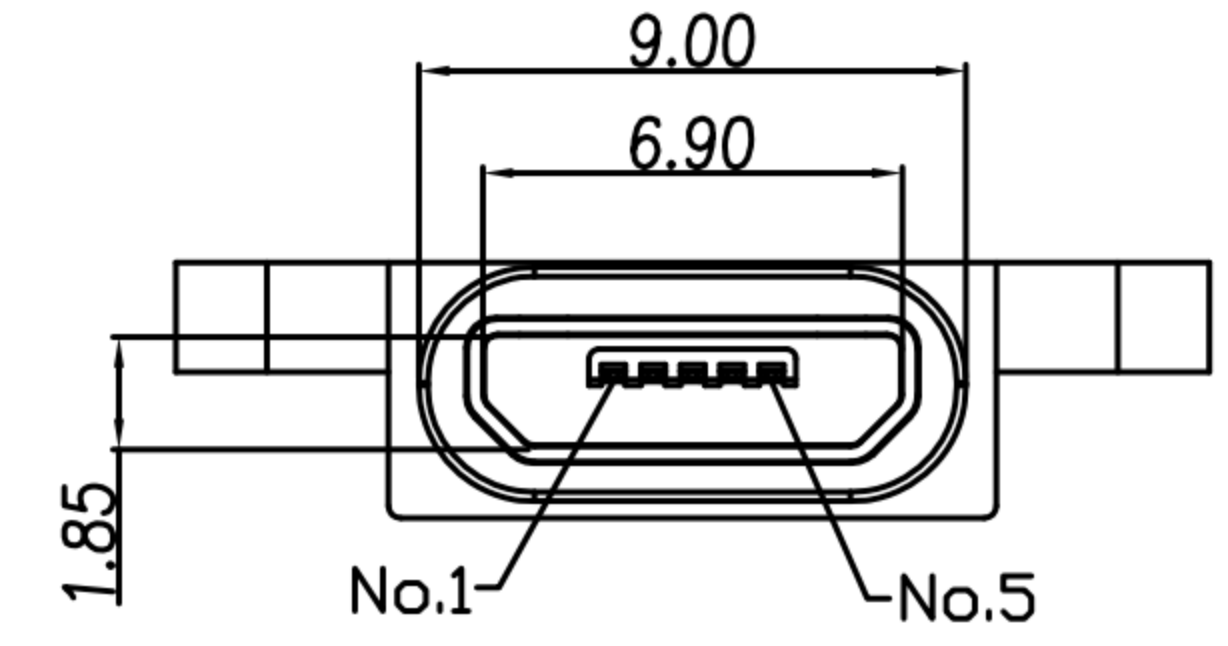
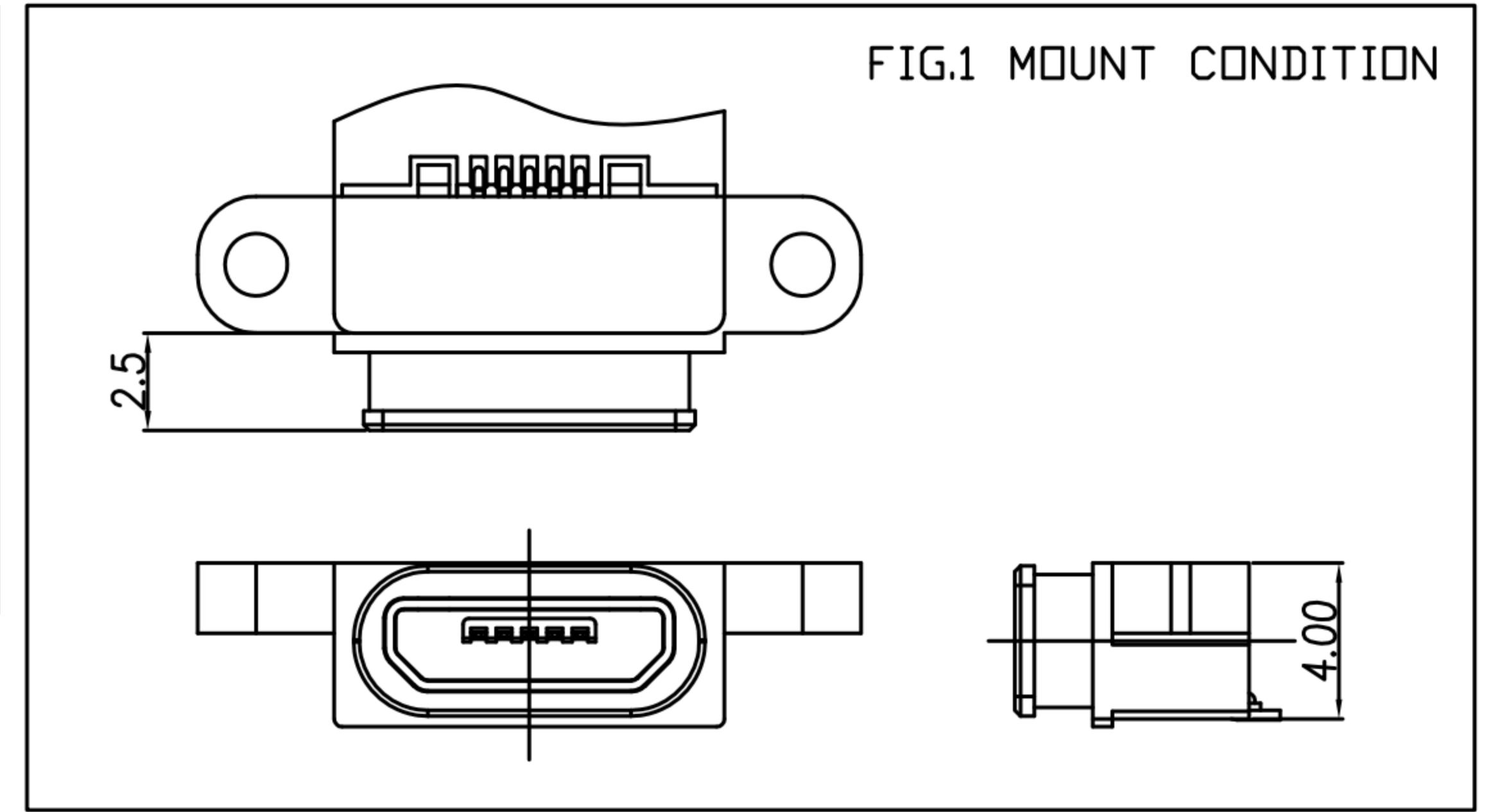
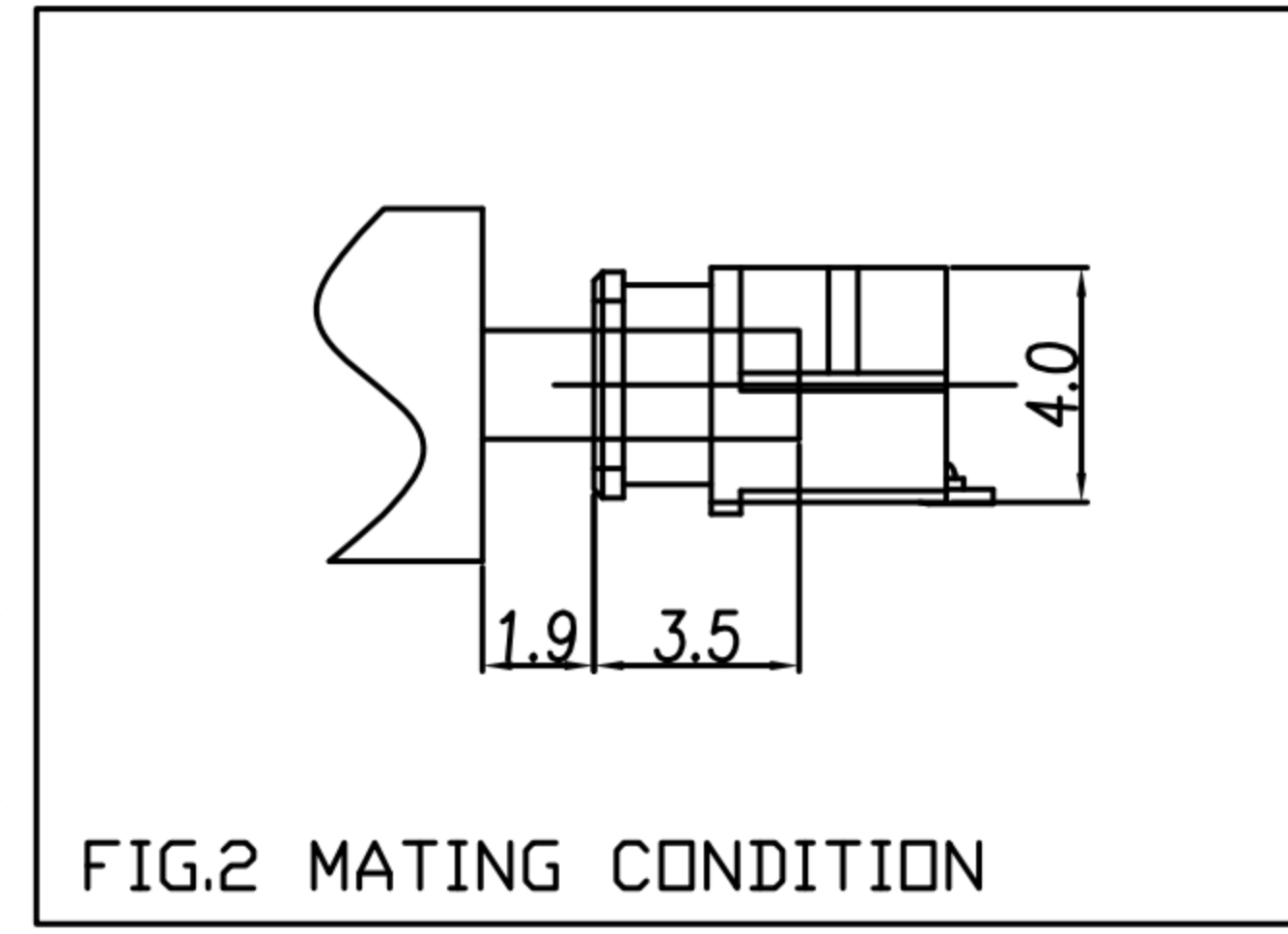
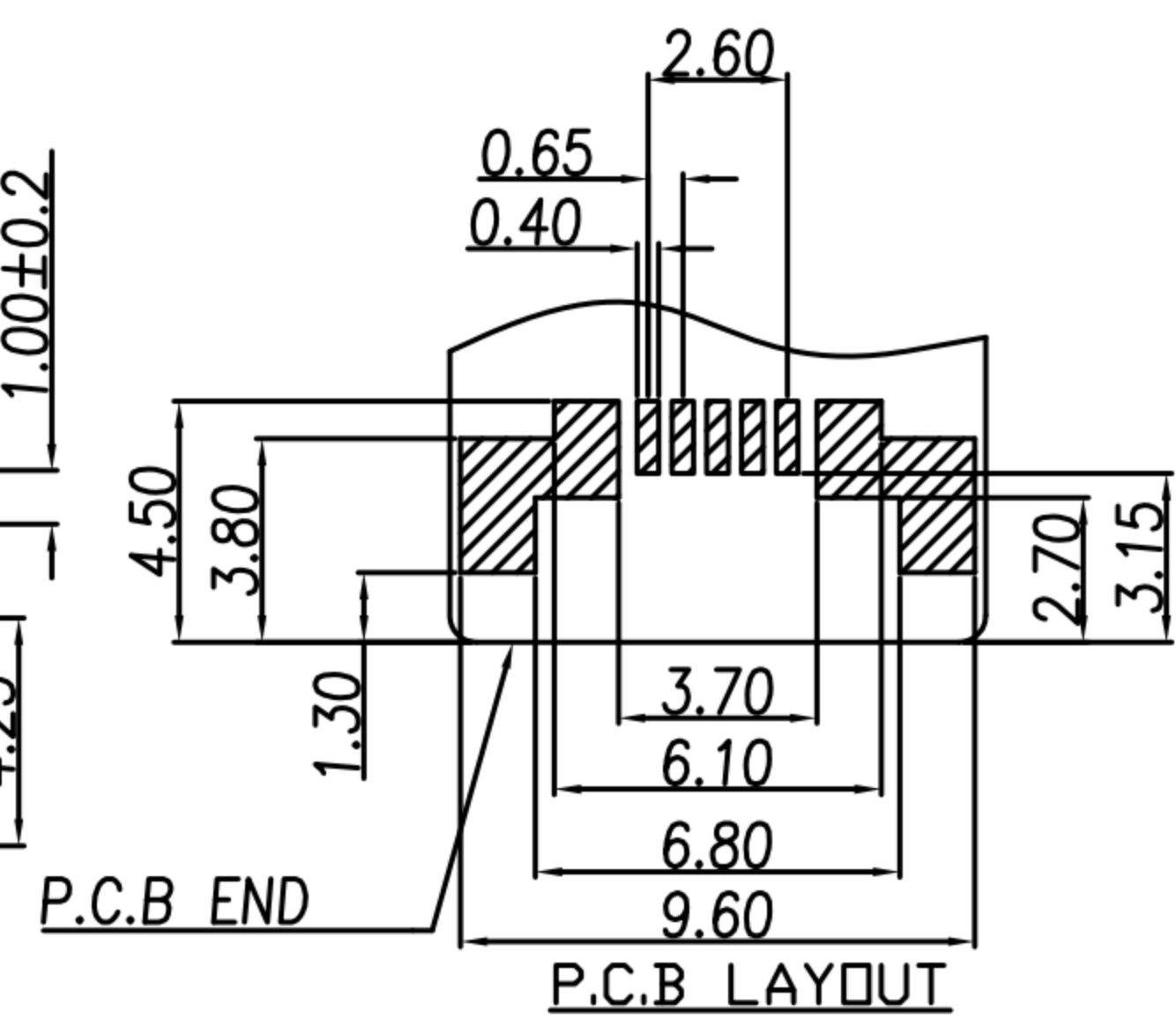
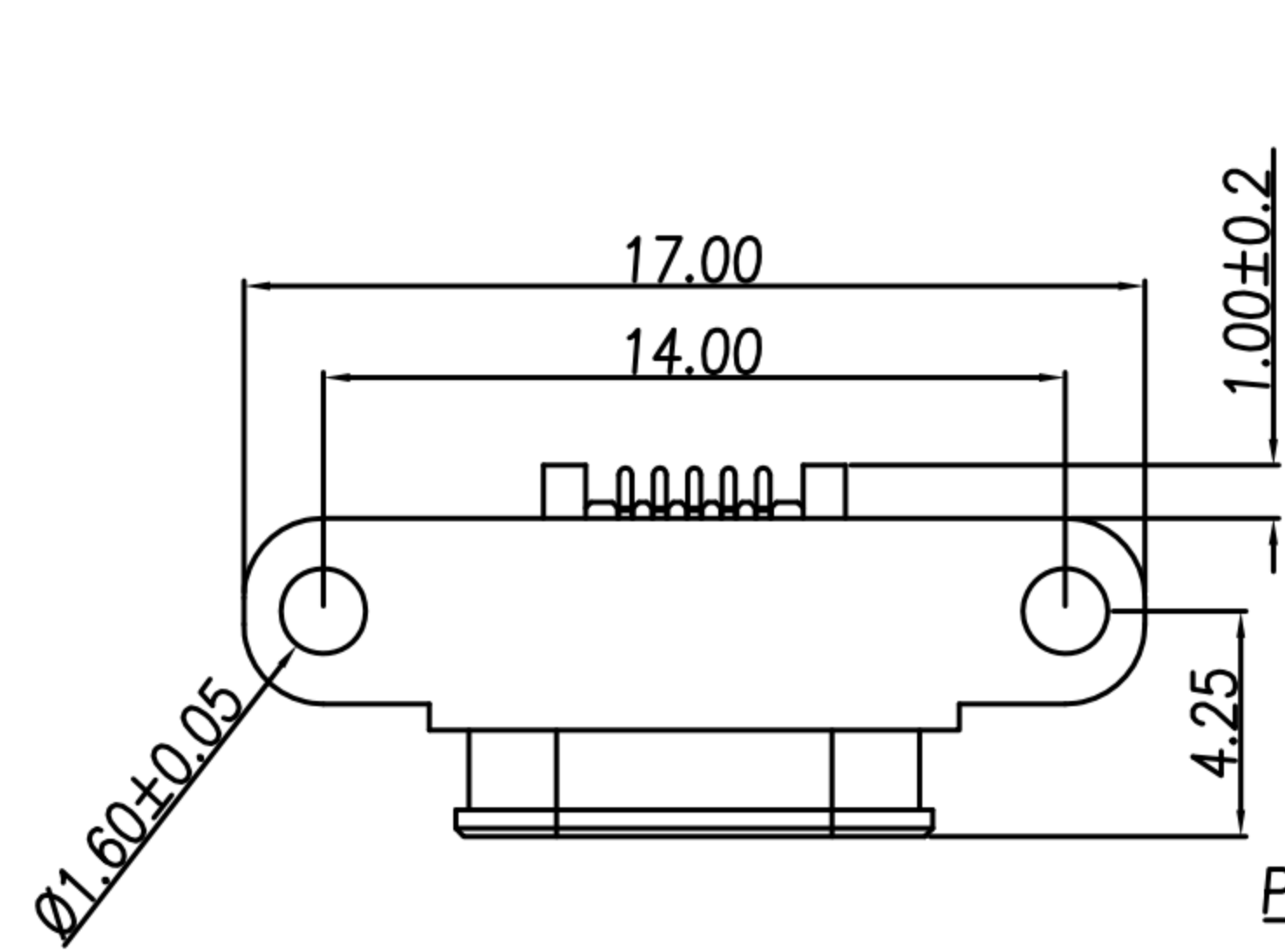
### NOTE:

1. 若有未裝滿之零數箱, 必須以緩衝材塞滿.
2. 在搬運過程中要輕拿輕放.
3. 載運輸中不可堆放過多, 不可有重壓現象.
4. 在裝滿產品後, 必須空留帶前和帶後 10 格以上, 然後用紙膠布貼上.
5. 上帶在貼下帶時必須平整, 且黏貼處不要出現氣泡.

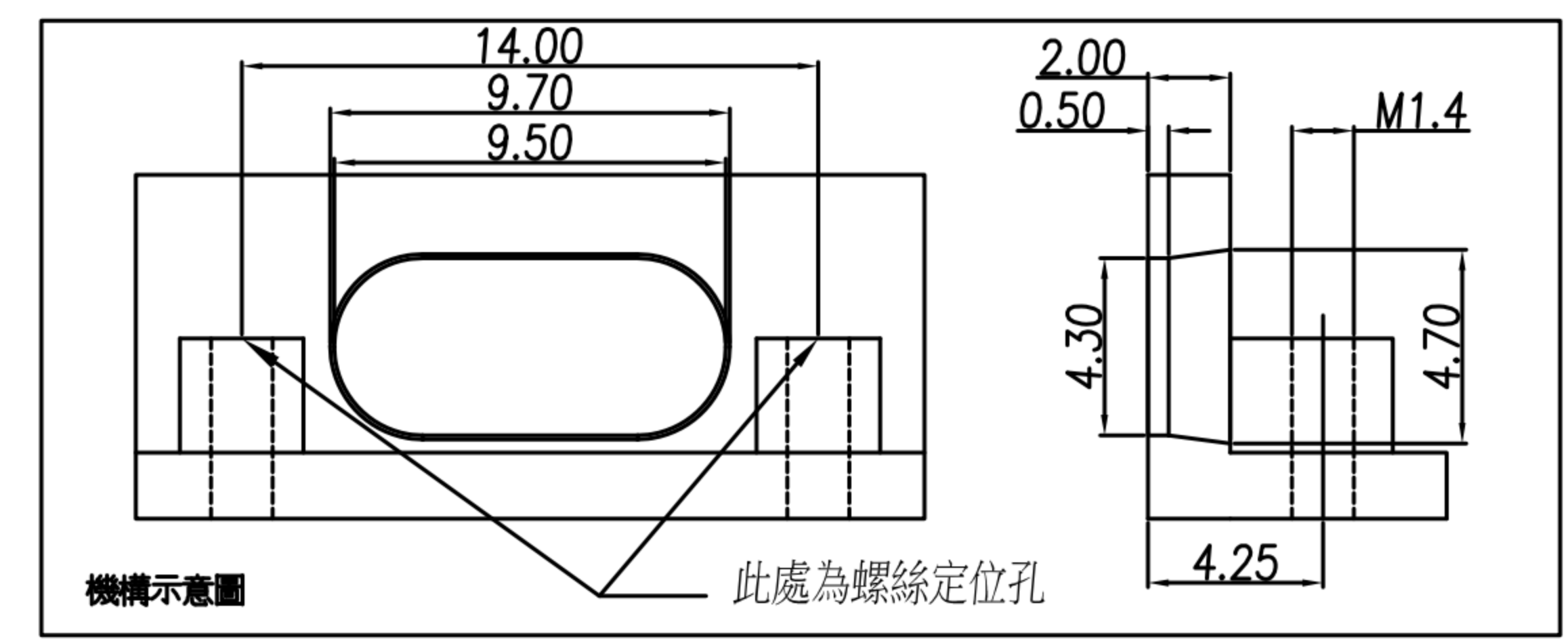
DRAW	Ren Liao	APPVL	Fido Weng	UNIT	mm	TOLERANCE			TITLE	waterproof micro usb 5P(F) SMT			SHEET	1/1
CHECK	Emily Suen			SCALE	1:1	.x ±0.20 .xx ±0.10 .xxx ±0.05 .xxxx ±0.03 ANGULA ±1°			PART NO.	PK-WP-05F2-82-01	DWG NO.	QC6276	VERSION	B

CUSTOMER DRAWING

REV.	DESCRIPTION	APPROVED BY	DATE	ECN NO.
A				
B				
C				



- NOTE:
- MATERIAL :
    - 1-1. HOUSING : LCP UL94V-0 ; COLOR : BLACK
    - 1-2. CONTACT : PHOSPHOR BRONZE
    - 1-3. SHELL : STAINLESS STEEL
    - 1-4. O-RING : SILICON
    - 1-5. PAD : BRASS
  - FINISH :
    - 2-1. CONTACT : CONTACT AREA : GOLD 10u" GOLD FLASH ON OTHER AREA UNDERPLATED : NICKEL 50u"
    - 2-2. SHELL : MATTE TIN PLATED
    - 2-3. PAD : MATTE TIN PLATED
  - ELECTRICAL SPECIFICATION :
    - 3-1. CONTACT CURRENT RATING : 1.8A (ONLY PIN1&5) ; OTHER 0.5A (ONLY PIN2,3&4).
    - 3-2. CONTACT VOLTAGE RATING : 30V
    - 3-3. CONTACT RESISTANCE : 30m Ohm MAX
    - 3-4. INSULATION RESISTANCE : 100M Ohm MIN AT DC 500V.
    - 3-5. DIELECTRIC WITHSTANDING VOLTAGE : AC 100V AC/1 MINUTE 10mA.
    - 3-6. WATERPROOF : IPX7
  - Environmental :
    - 4-1. Operation Temperature : -40~85°



DRAWN	Yeh Chou	APPEND	Emily Suen	UNIT	mm	TOLERANCE			TITLE	waterproof micro usb 5P(F) SMT			SHEET	1/1
CHKD	Emily Suen			SCALE	1:1				PART NO.	WP-05F2-82-01	DWG NO.	QC6276	VERSION	A