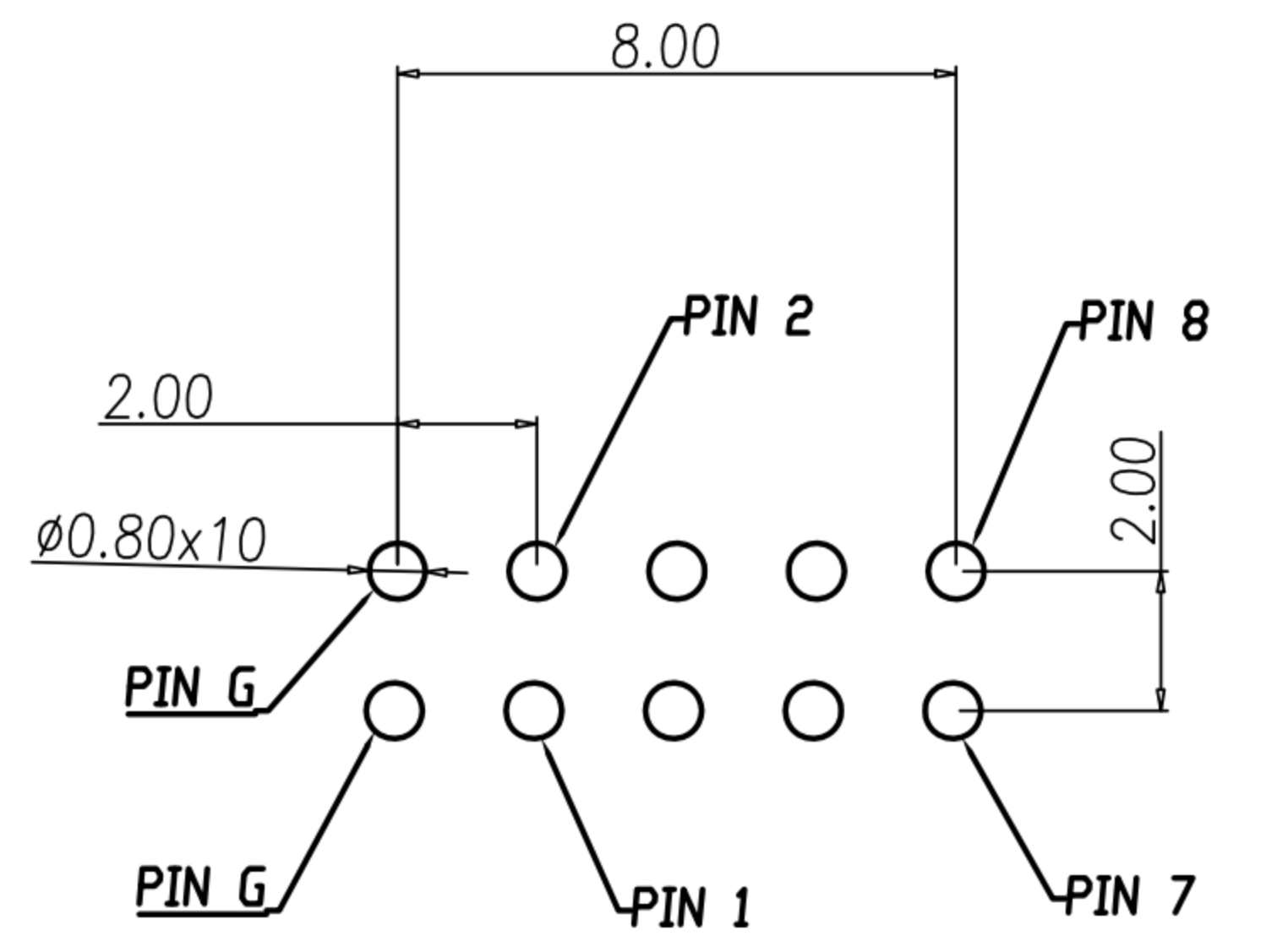
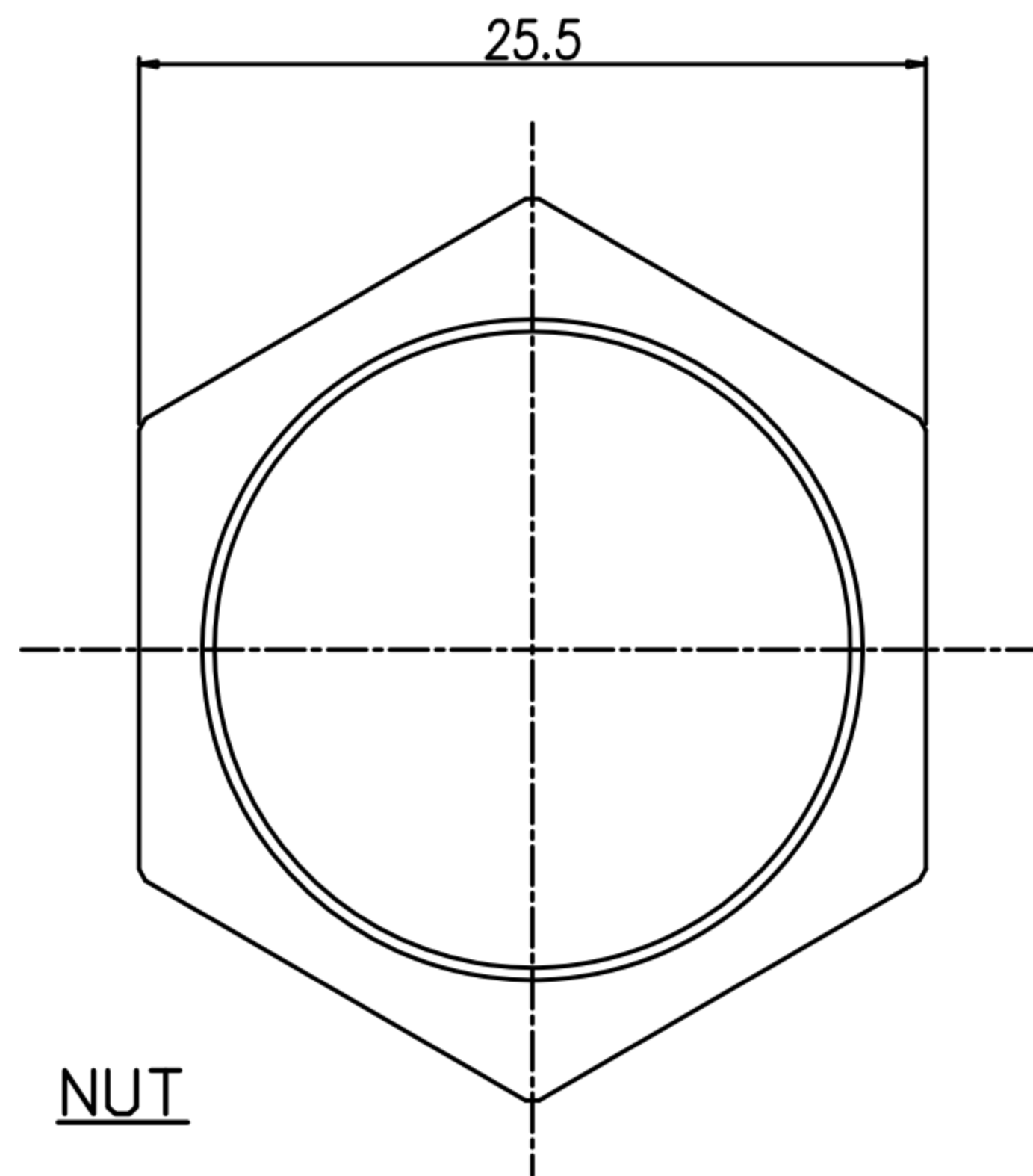
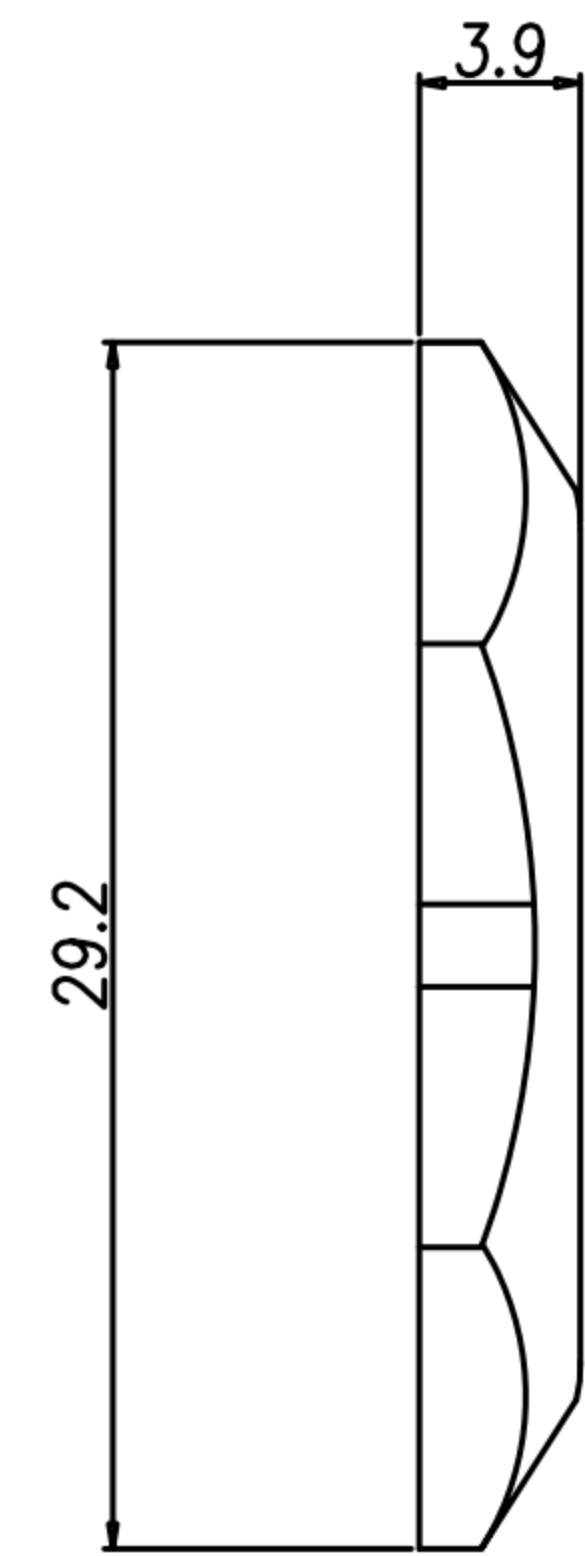
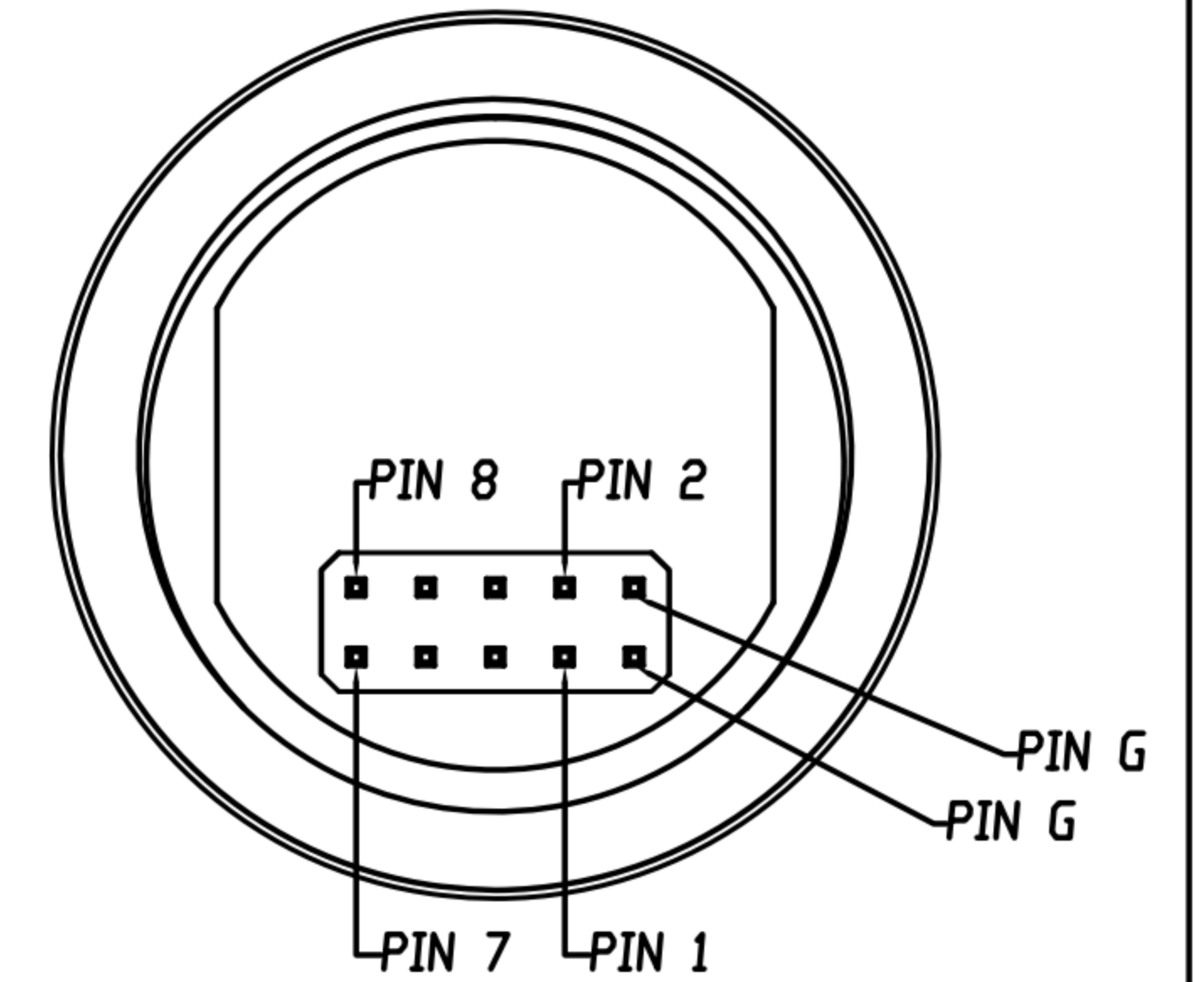
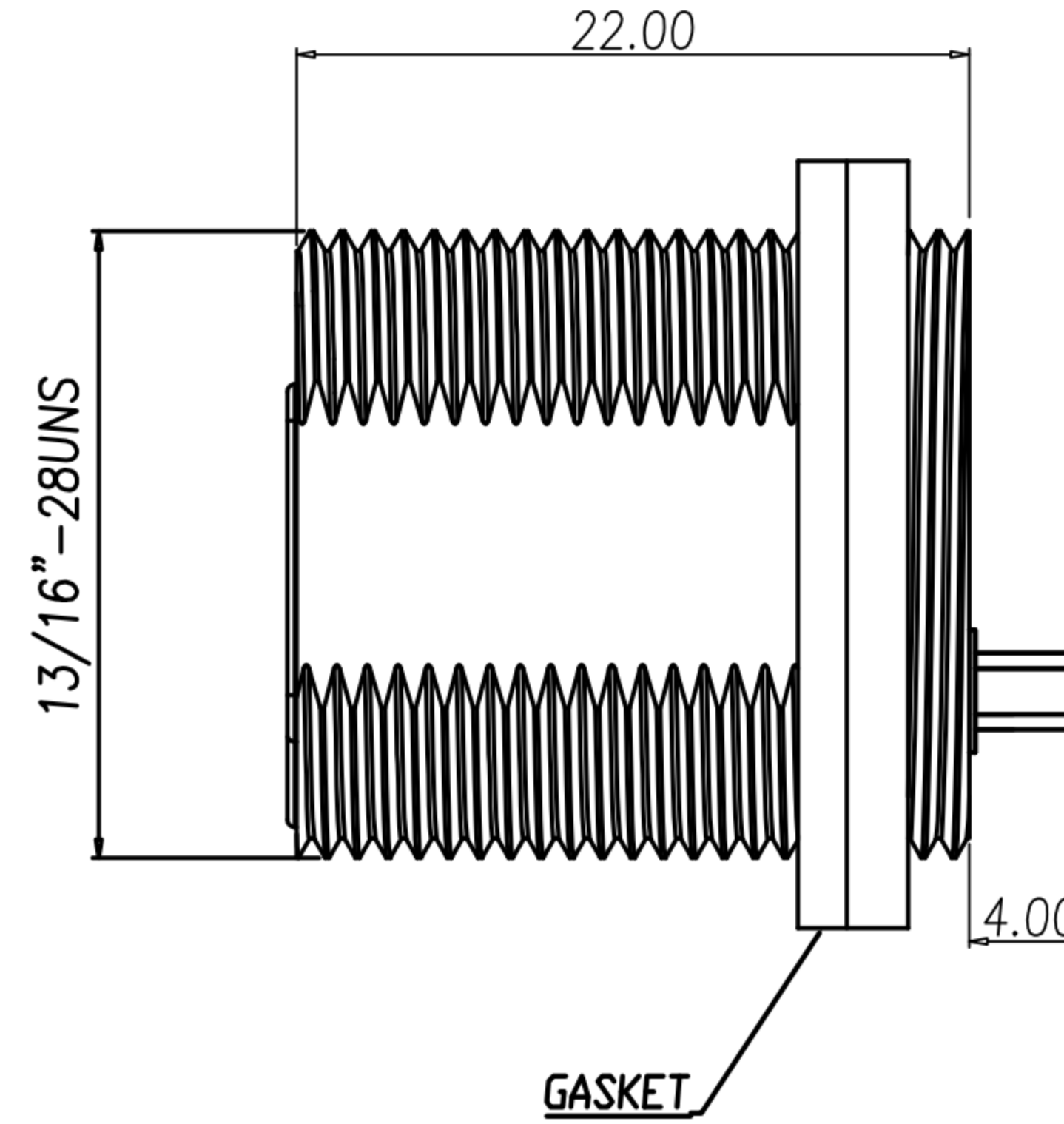
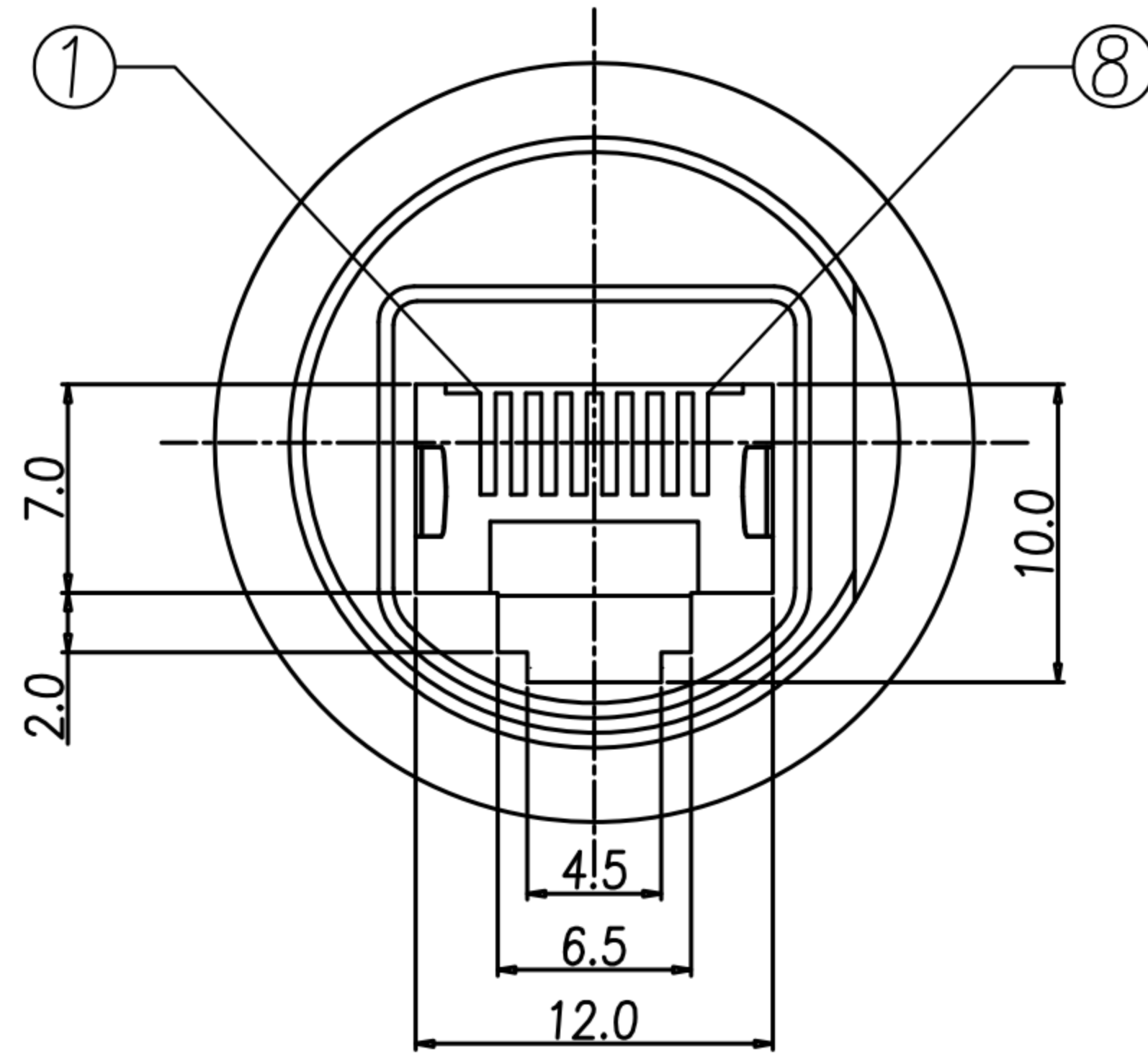


CUSTOMER DRAWING

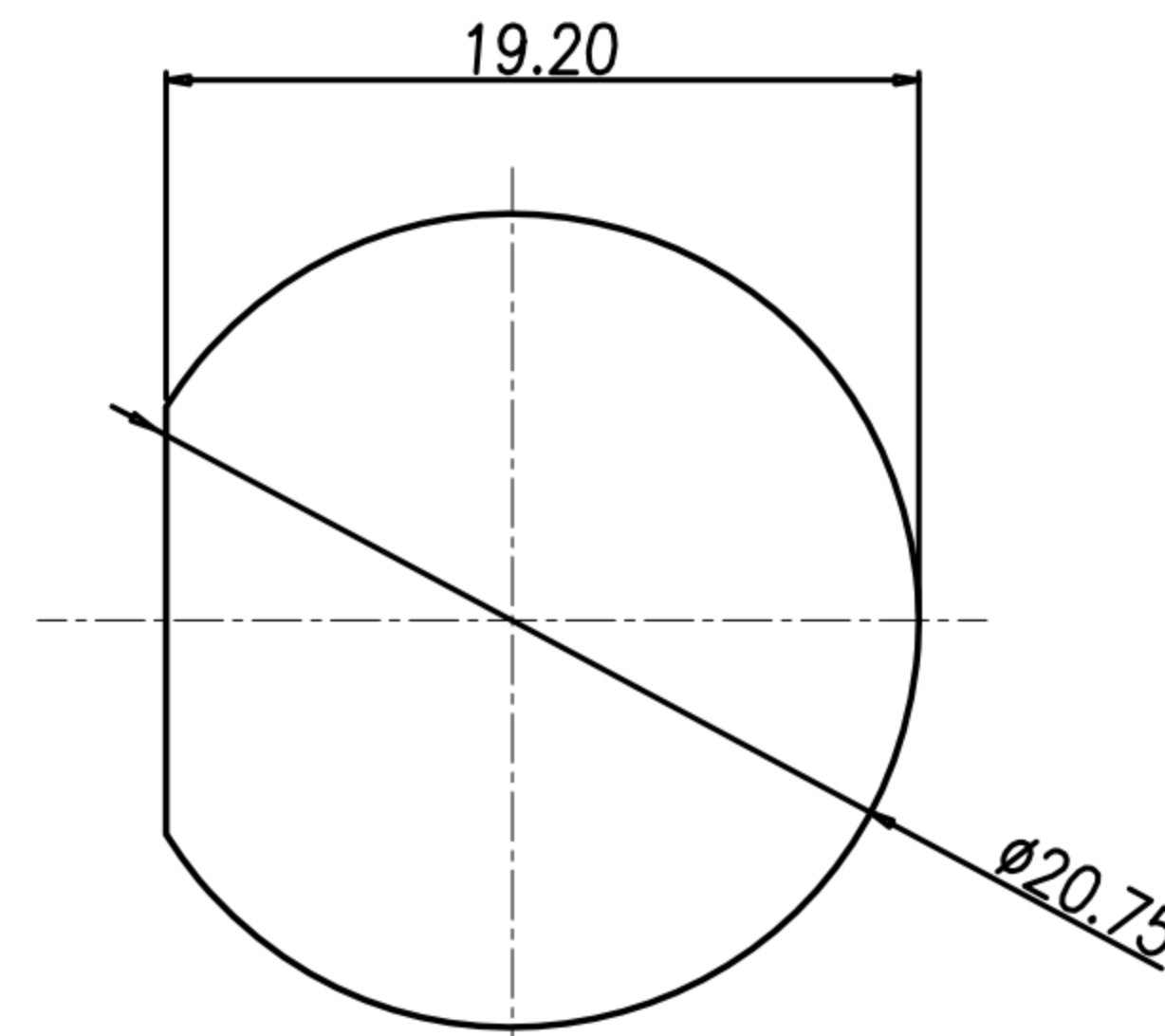
REV.	DESCRIPTION	APPVL. BY	DATE	ECN NO.
A	RELEASE	Yeh Chou		
B	MODIFY MATERIAL & FINISH	Yeh Chou	03/06/19"	
C	CHANGE PCB LAYOUT & ADD BACK VIEW	Yeh Chou	20/06/19"	



P.C.B LAYOUT (TOP VIEW)
SCALE 2:1



NUT



Panel Cut-Out

- B 1. MATERIAL :**
 1-1. HOUSING : PBT UL94V-0 ; COLOR : BLACK.
 1-2. CONTACT : PHOSPHOR BRONZE
 1-3. SHELL : PA66
 1-4. GROUND : SUS 301
 1-5. GASKET : SILICONE ; COLOR : BLACK.
 1-6. NUT : PA66
- B 2. FINISH :**
 2-1. CONTACT : GOLD FLASH MICRO INCHES MIN.
- 3. ELECTRICAL SPECIFICATION :**
 3-1. Rated current : 1.5A
 3-2. Rated Voltage : 125V
 3-3. Water proof : IPX7
- 4. Environmental :**
 4-1. Operation Temperature : -20°C~85°C

DRAW	Ku Chou	APPVL	Fido Weng	UNIT	mm	TOLERANCE .x ±0.20 .xx ±0.10 .xxx ±0.05 .xxxx ±0.03 ANGULA ±1°			广东科斯达电子科技有限公司 GUANG DONG KE SI DA ELECTRONIC TECHNOLOGY CO., LTD.	TITLE	防水RJ45 8PIN(F)(全密封) 180度			SHEET	1
CHECK	Emily Suen			SCALE	1:1					PART NO.	RJ-08F2-14-11	DWG NO.	QC9129	VERSION	C